



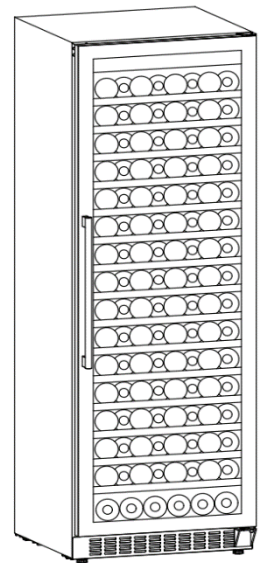
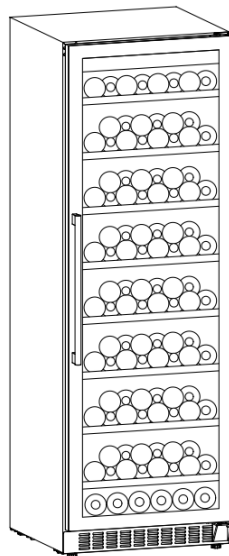
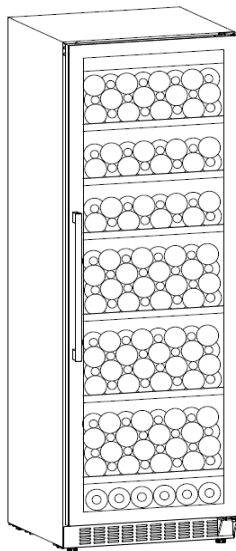
Wine Cooler

Instruction Manual

CC328MB-B

CC328MB-U1

CC328MB-U2



*Thank you for buying this CaveCool wine cooler.
This product is used to chill wine.*

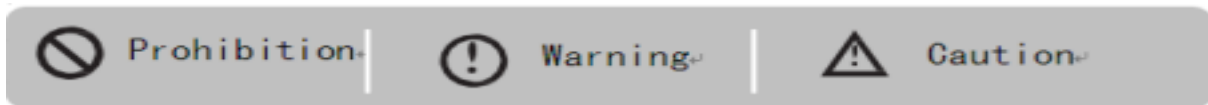


Content

Safety instructions & warnings	1-2
Installation	3
Description of the appliance.....	4-8
Operation	8-18
Troubleshooting.....	19
Maintenance and cleaning.....	20
Technical parameters.....	21

Safety instructions & warnings

Your safety is of the utmost importance to our company. Please make sure that you read this instruction booklet before attempting to install or use the appliance. If you are unsure of any of the information contained in this booklet, please contact the Technical Department.



- This appliance can be used by children aged from 8 years and above and persons with reduced physical, sensory, or mental capabilities or lack of experience and knowledge if they have been given supervision or instruction concerning use of the appliance in a safe way and understand the hazards involved. Children shall not play with the appliance. Cleaning and user maintenance shall not be made by children without supervision.
- Children should be supervised to ensure that they do not play with the appliance.
- This appliance is intended for HOUSEHOLD USE ONLY and not for commercial or industrial use.
- Make sure that the appliance is connected to power supply in accordance with the rating label.
- Use an independent grounded socket with 10A or higher, do not connect to transformer or socket with multiple outlets.
- Make sure socket is grounded properly and do not modify power cord & plug.
- For safety reasons and to ensure the optimum functionality of the wine cooler it's important that you connect your wine cooler using an earth/ground connection plug and keep the wine cooler perfectly plumb and level.



- Keep ventilation openings, in the appliance enclosure or in the built-in structure, clear of obstruction.
- Do not use mechanical devices or other means to accelerate the defrosting process, other than those recommended by the manufacturer.
- Do not damage the refrigerant circuit.
- Do not use electrical appliances inside the storage compartments of the appliance, unless they are of the type recommended by the manufacturer.
- Connect power plug with socket firmly in case of possible risk of fire.
- Plug should be within reach for easy disconnection after the appliance positioned in case of accidents occurred
- Do not store or burn gasoline or other in flammables near the appliance in case of possible fire.
- Do not store in flammables, explosives, acid & alkaline liquids etc.in the compartment of the appliance.
- Do not operate other appliances in the compartment.

Child Safety

- Do not allow child play inside the appliance in case of entrapment.
- Do not allow child hang on the door to play in case of falling of the appliance.
- Do not allow child reach into compressor compartment or touch metal components at rear of the appliance in case of possible injury.

Keep away from water

- Do not spray water on the appliance or wash the appliance by pouring or filling water in case of invalid insulation and possible electric shock.

Be careful of freezing

- Do not touch surface of the liner inside the compartment, especially with wet hand, in case of frozen injury while the appliance is in operation.

Do not open the door for long periods

- Opening the door for long periods can cause a significant increase of the temperature in the compartments of the appliance.

Modification on the appliance not allowed

- Do not reconstruct the appliance by yourself which might cause damages to the appliance.

Unplug the appliance under certain conditions

- Unplug the appliance before cleaning & maintenance.
- Unplug the appliance when power cut occurred.

Disposal of the appliance

- Please according to local regulations regarding disposal of the appliance for its flammable refrigerant and blowing gas.
- Before you scrap the appliance, please take off the doors to prevent children trapped.
- Send the appliance to the designated disposal location.



Do not damage the power cord


- Do not disconnect the appliance by pulling power cord rather than pulling the plug.
- Do not set the appliance above the power cord or step on the cord intentionally.
- Put the power cord at right place when moving the appliance.




When the power cord is damaged

- Do not use damaged power cord, and get it replaced immediately by manufacturer service agent or by qualified electrician.
- If needed, extend the power cord with cord of 0.75mm² or bigger by qualified technician.

Installation

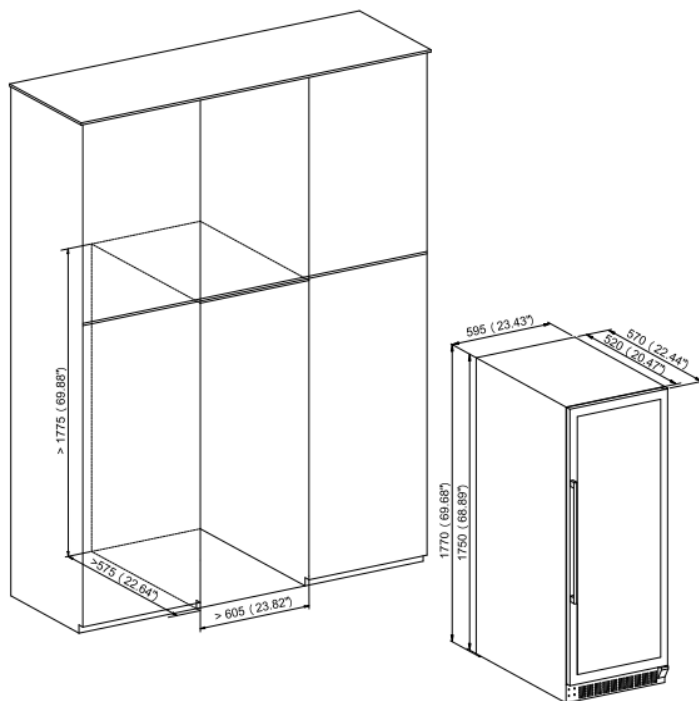
Position

 Do not lean the appliance over 45° when moving it to position. Do not use the package foam pad. **DON'T PLACE A BUILT-IN WINE COOLER ON A HEATED SURFACE SUCH AS HEATED FLOORING, AS THIS WILL AFFECT THE COOLING FUNCTION.**

-  Do not put the appliance in the wet place.
-  Do not use the appliance in the frozen place.
-  Do not use the appliance outdoor in case of sunlight or rain.

The appliance is designed to fully build into the cabinet.

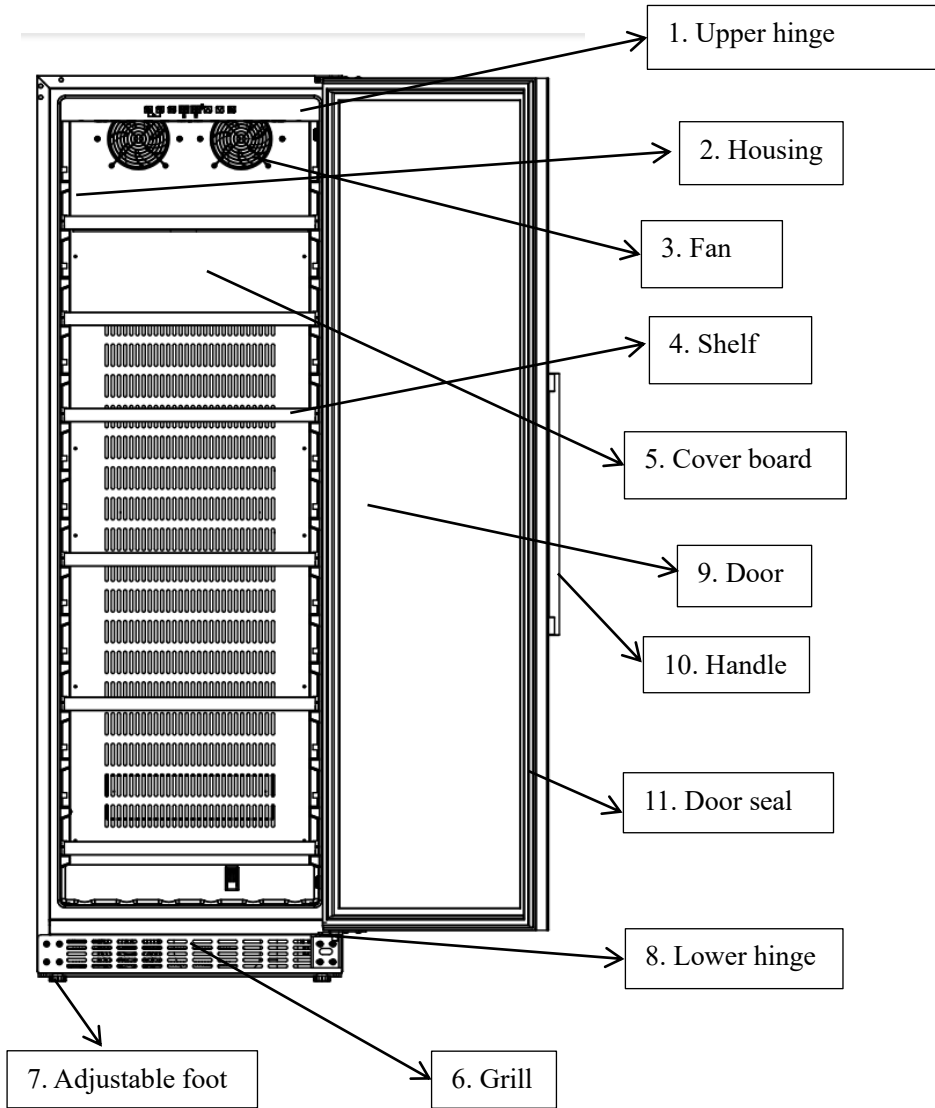
Demonstration for building under the counter:



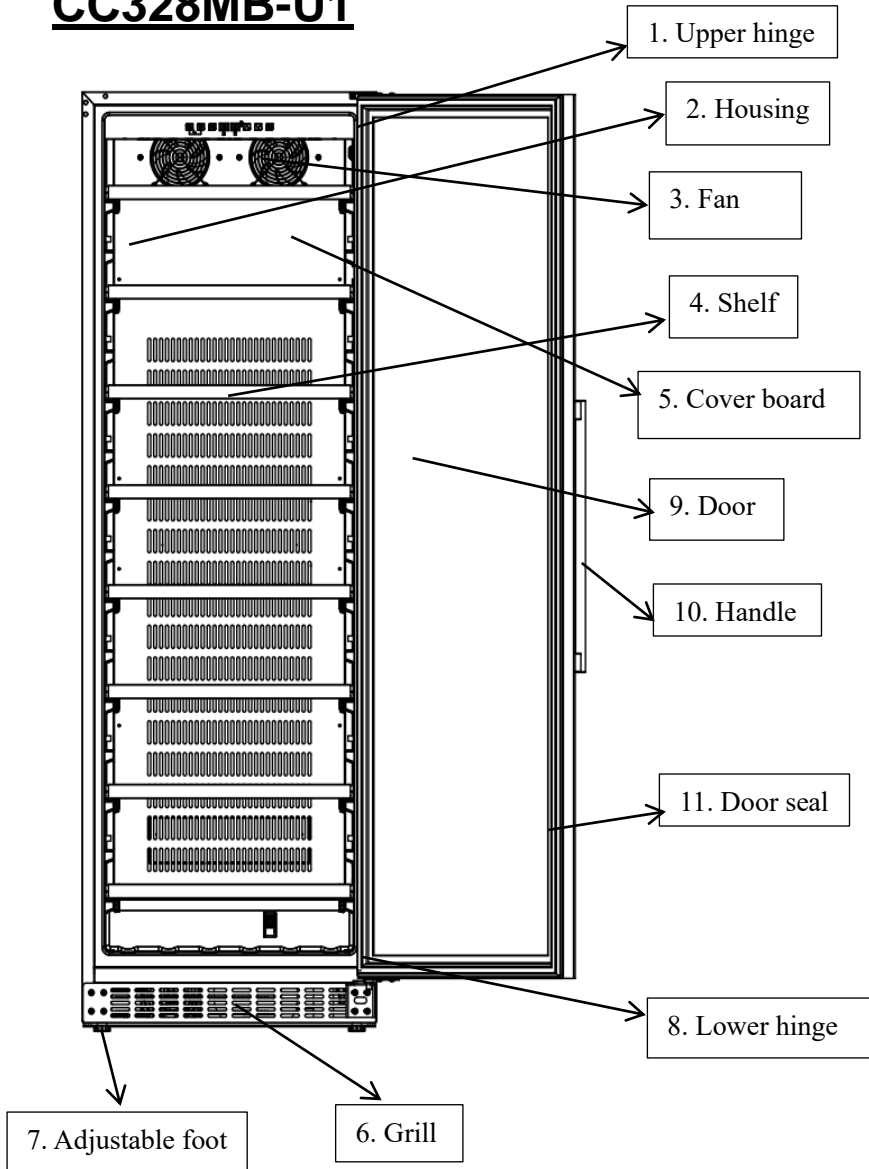
Wine bottles could be stored when you feel cooling inside after the appliance operates around 1 hour.

Description of the appliance

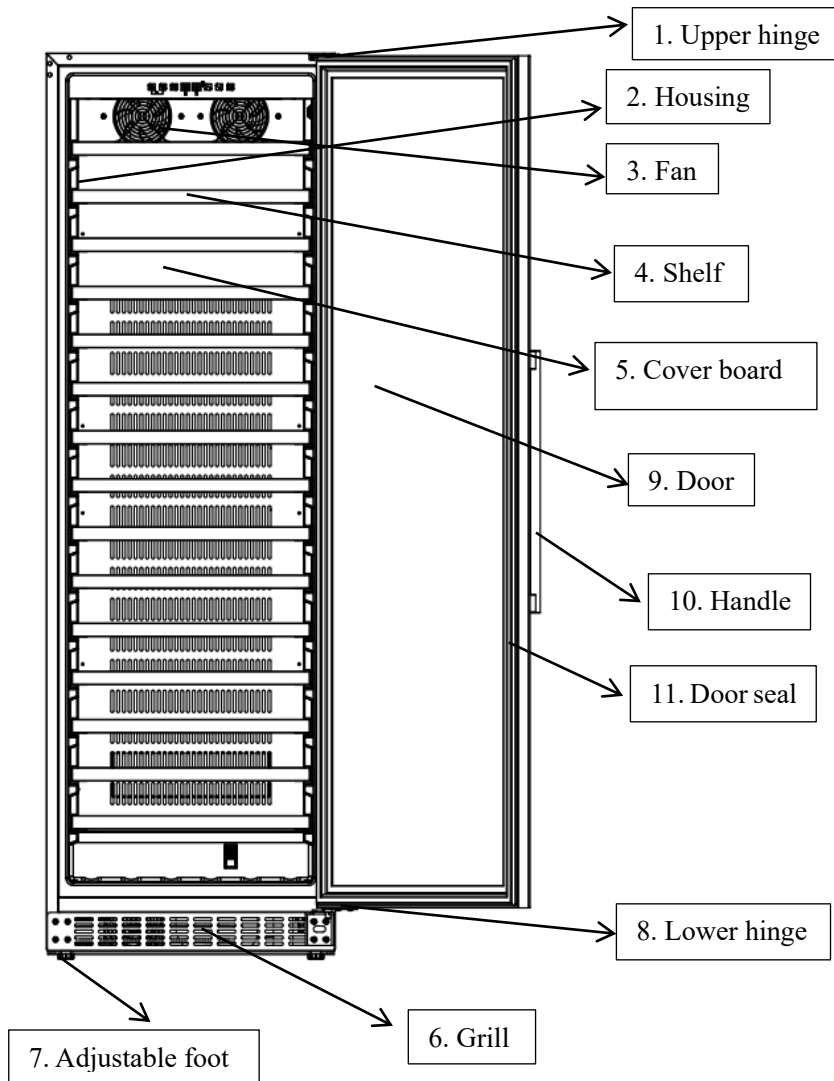
CC328MB-B



CC328MB-U1



CC328MB-U2

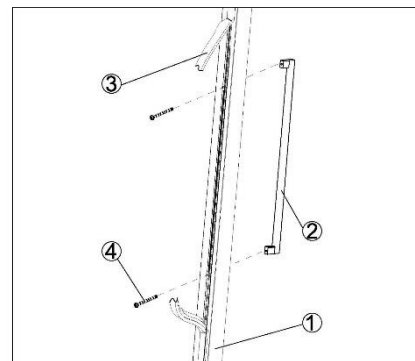


Installing the handle and reversing the door of wine cooler.

1. Install handle to the door frame of the appliance.

Håndtaget følger med i en separate pakke med skruer og ligger i skabet.

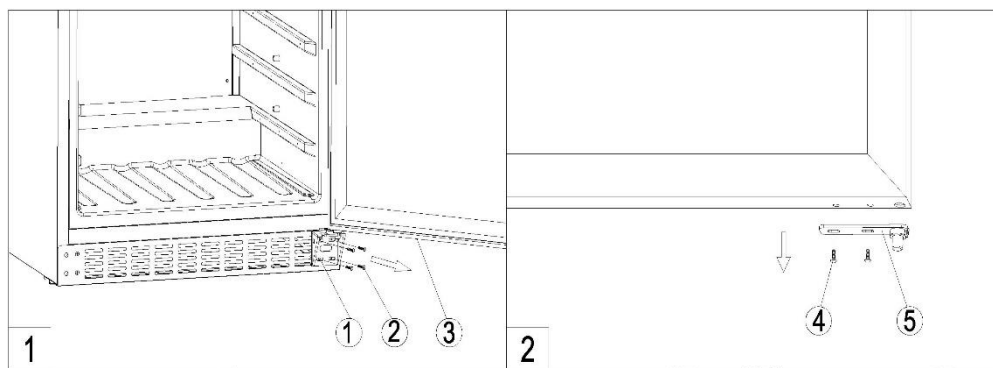
① Reveal two small holes on the door frame from inner side by pulling out a bit the door seal ② Aim the handle to the holes and insert the screws from inside ③ Screw them up with screwdriver ④ Put back door seal to cover the screws.



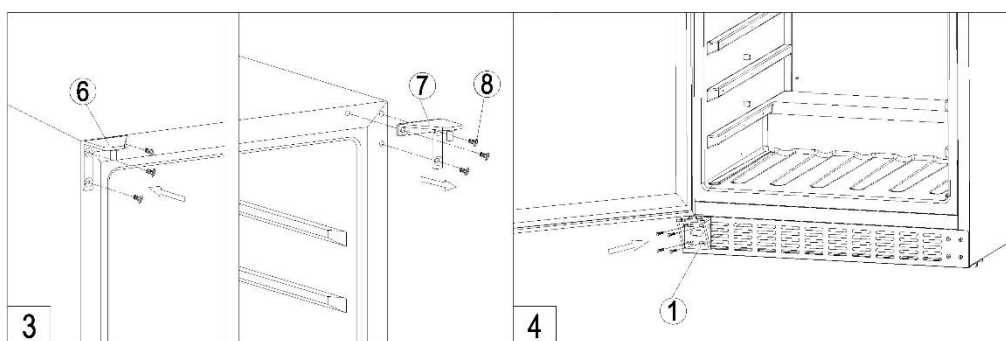
2. Reversing the door

Our wine cooler is delivered with the door opening from left to right. To reverse the opening direction:

- ✧ Open the door at 135 degrees and keep it steady. (Be careful that the door is tall and heavy)



- ✧ Unscrew the four screws ② from the lower hinge ① [Figure 1].
- ✧ Pull the door outwards slowly [follow the arrowhead direction in Figure 1] to get off the lower hinge ① and continue to pull the door downwards slowly until getting off from the top right hinge and unscrew the two screws ④ to take off the lower hinge plate ⑤ from the door [Figure 2].
- ✧ Screw top right hinge ⑦ off from the cabinet and keep it in the polybag for needs if you want to change back left opening door in the future. [Figure 3]



- ✧ Install to the left hinge ⑥ & the lower hinge ① to the left side of the cabinet. (⑥ is delivered in a separated poly bag inside the packing carton).[Figure 3]
- ✧ Turn the door 180 degrees upside down and fit the top door axis hole to the top left hinge ⑥ and put lower hinge plate ⑤ on the lower hinge ① and keep the door steady to screw the lower hinge plate ⑤ with the left bottom door frame. [Figure 4] Door reversing is finished.

Operation

Start operation

1. Cleaning the compartment

Before power on, clean inside of the appliance and check the drainage pipe in good connection. (For details, please refer to the “Maintenance and cleaning”)

2. Placement

Før skabet tilsluttes strøm, bør det stå i mindst 30 minutter.

3. Power on


The appliance start operation and it will cool down inside after 1 hour, otherwise you should check the power connection.

Control panel

The actual temperature of the top area is displayed on the left screen (#1), The actual temperature of bottom area is displayed on the right screen(#2).



All keys would be invalid in lock mode. Please unlock first.

 **On/off** Keep pressing the key 3 seconds, power down, goes to stand-by mode. Keep pressing the key again 3 seconds to return to normal working.

 **Light**

Press the key, turn on or turn off the LED lights inside. In stand-by mode, the key is invalid.

CC328MB-B:

There are White LED lights at the top inside. It has three levels of brightness for adjustment. When first plug-in, the default brightness is lowest. Pressing light key for 2 seconds to increase the brightness by one level, pressing again for 2 seconds to increase the brightness by one more level, and pressing again for 2 seconds to return to the lowest level.

CC328MB-U1:

There are White LED lights at the top and long vertical White LED strip side lights inside cavity. It has three levels of brightness for adjustment. When first plug-in, the default brightness is lowest. Pressing light key for 2 seconds to increase the brightness by one level, pressing again for 2 seconds to increase the brightness by one more level, and pressing again for 2 seconds to return to the lowest level.

CC328MB-U2:

There are White LED lights at the top and long vertical LED strip side lights (3 colors to change: White, Blue, or Orange) inside cavity. It has three levels of brightness for adjustment. When first plug-in, the default brightness is lowest at White color. Pressing light key for 2 seconds to increase the brightness by one level, pressing again for 2 seconds to increase the brightness by one more level, and pressing again for 2 seconds to return to the lowest level.

Pressing **light key & down key** at the same time for 2 seconds to change side lights to blue color, pressing again for 2 seconds to change to orange color, and pressing again for 2 seconds to return to White color. The top LED lights will not turn on when changing side lights to blue or orange color.



Child Lock (Combination key)

Lock: Press both keys at the same time for 3 seconds to lock.

Unlock: Press both keys at the same time for 3 seconds to unlock.



Area switch

Before setting temperature, press the key first to switch between top area and bottom area for choosing which area to set temperature. Press the key once, the LED display in chosen area flashes regularly. Press up and down key to set temperature. Press the key again; switch to another area to set temperature.



UP

Press the key once, LED Display in regular flash showing current set temperature. Continue pressing to adjust set temperature, one press increases 1°C. Regular flash quit after 5 seconds detecting no press and new set temperature save. LED display return to show actual temperature.



Down

Press the key once, LED Display in regular flash showing current set temperature. Continue pressing to adjust set temperature, one press reduces 1°C. Regular flash quit after 5 seconds detecting no press and new set temperature save. LED display return to show actual temperature inside.



Fahrenheit/Celsius display interchange

Switch temperature display between Fahrenheit and Celsius by pressing and holding the key for 2 seconds.

Temperature setting range

Top area setting range: 8~22°C / Bottom area setting range: 5~22°C

Top area cannot set a lower temperature than that of Bottom area, while Bottom area cannot set a higher temperature than that of Top area.

It could be set at same temperature for both Top area and Bottom area. If so, when increasing Bottom area set temperature, Top area set temperature will follow same increase automatically.

Multi-temperature setting for serving temperature

Typical serving temperature settings for the top and bottom areas of the appliance are 16°C and 6°C respectively. With these settings, a suitable temperature distribution decreased from top (say 16°C) to bottom (say 6°C) will be achieved inside for the storage of various types of wine as below:

Red Wine	15-18°C
White Wine	9-14°C
Rose wine	10-11°C
Champagne & sparkling wine	5- 8°C

Single-temperature setting for long-term storage

For long-term wine storage, the top and bottom areas are recommended to set both at 12°C.

With same temperature settings for two areas, the thermostat will maintain an even temperature throughout the cabinet.

However, the temperature inside cabinet will be affected by the ambient temperature gradually through the glass door, creating a slight temperature difference from top to bottom.



Attention

1. The ex-factory temperature of this product is 12°C.
2. Alarm sound: when the system malfunction occurs and alarm sound, press any key on the control panel to cancel the alarm sound.
3. Error code:

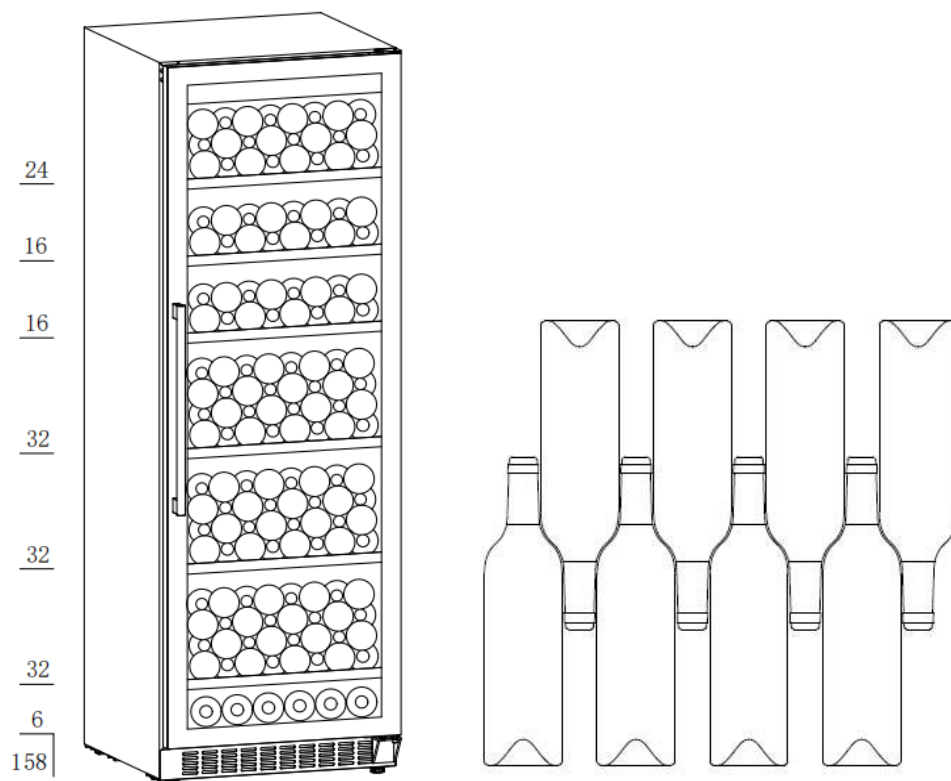
When the temperature sensor of Bottom area failure occurs, error code displays: E1 for open circuit; E2 for short circuit.

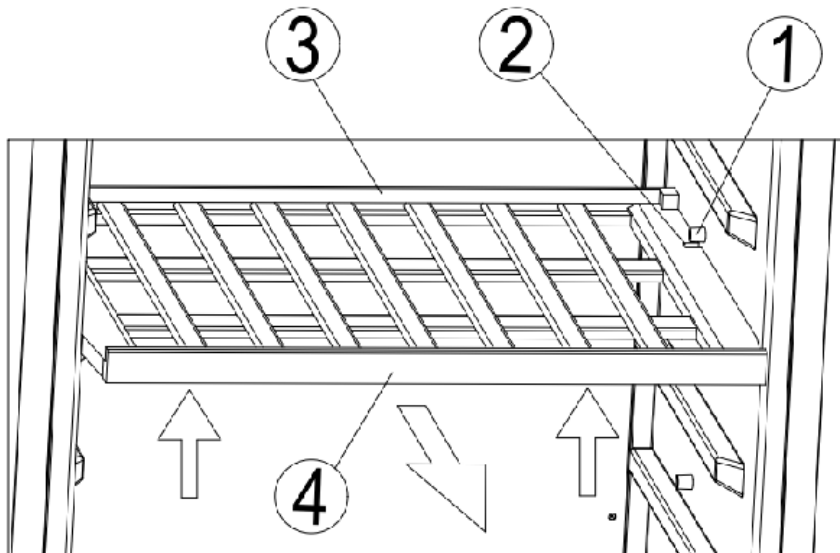
When the temperature sensor of Top area failure occurs, error code displays: E3 for open circuit; E4 for short circuit.

Wine storage

CC328MB-B

- ✧ Each shelf is designed to put on maximum 4 layers of wine bottles. More than 4 layers of bottle arrangement on one shelf are prohibited
- ✧ 6 wooden shelves loading capacity: 158 bottles. (Standard Bordeaux with 750ml)





Taking out shelf (empty loading)

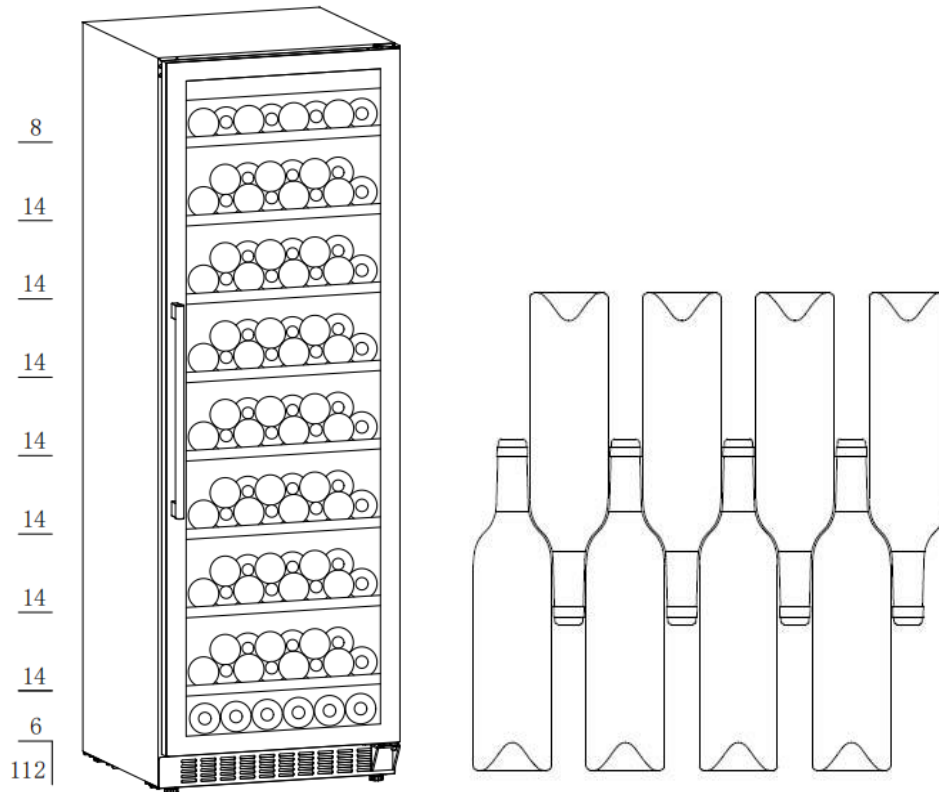
- ✧ As shown at above figure, pull the shelf (3) outwards slowly, when the slot (2) comes beneath the stopper (1), lift the shelf (4), and then pull it out from the cavity.

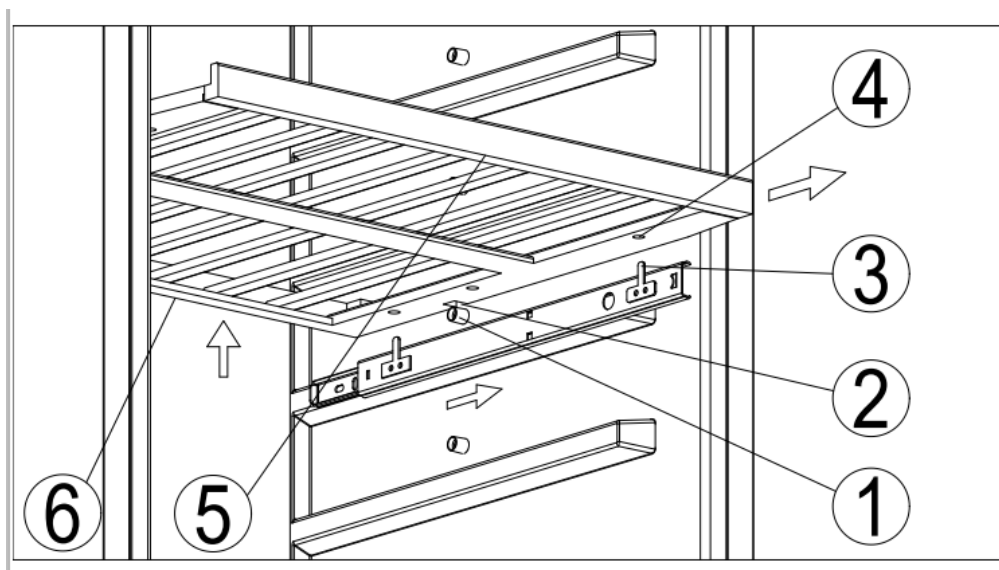
Putting back shelf (empty loading)

- ✧ Put the shelf (4) inwards the cavity, insert it slowly, when the slot (2) goes above the stopper (1), drop the shelf (3) down and push it back to the end.

CC328MB-U1

- ✧ Each shelf is designed to put on 1 or 2 layers of wine bottles. More than 2 layers of bottle arrangement on one shelf are prohibited.
- ✧ 8 wooden shelves loading capacity: 112 bottles. (Standard Bordeaux with 750ml)





Taking out shelf (empty loading)

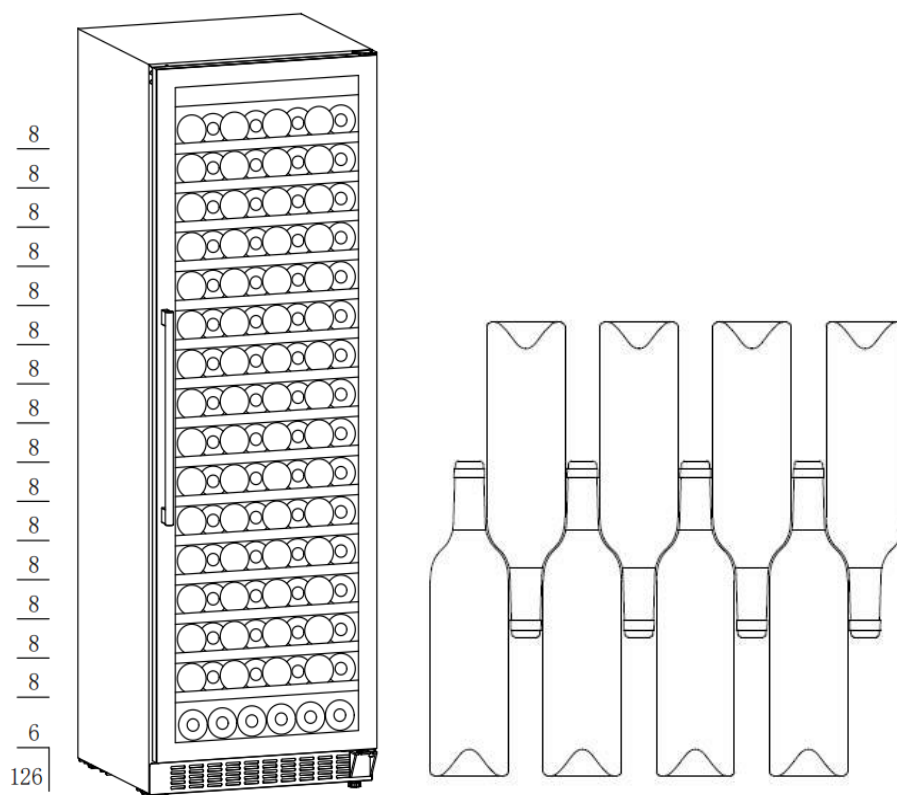
- ✧ As shown at above figure, the shelf is sitting on the sliding rails.
- ✧ Slide the shelf (5) outwards slowly, when the slot (2) comes beneath the stopper (1), lift the shelf (6), and then pull it out from the cavity.

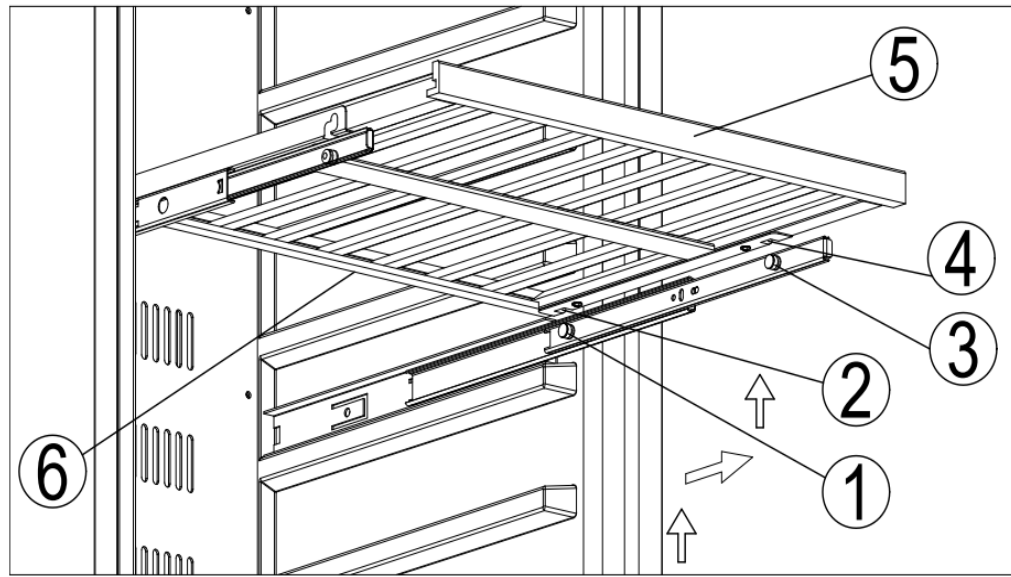
Putting back shelf (empty loading)

- ✧ Put the shelf (5) inwards the cavity, insert it slowly, when the slot (2) goes above the stopper (1), drop the shelf (5) down, meanwhile make sure the poles (3) on the slider insert into the small holes (4) under the shelf (6) and then push it back to the end.

CC328MB-U2

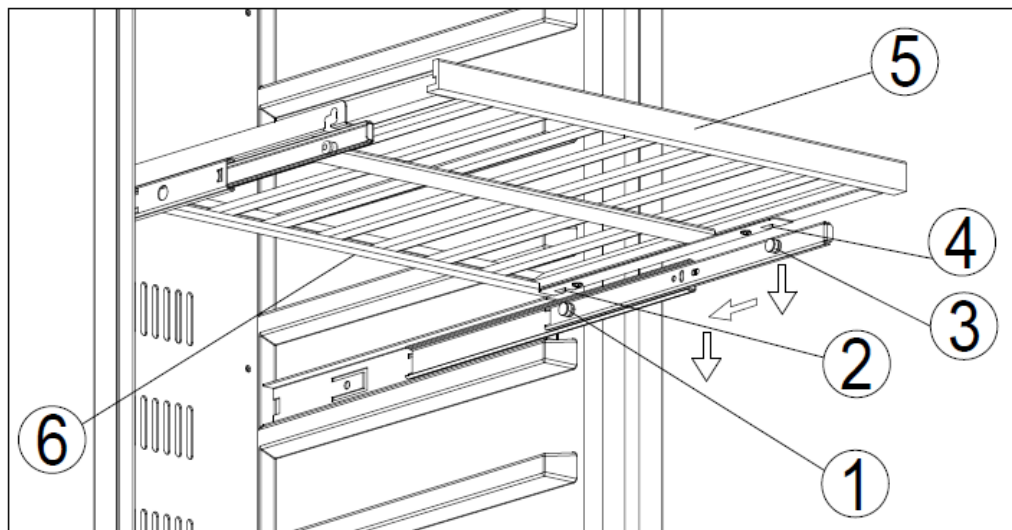
- ✧ Each shelf is designed to put on 1 layers of wine bottles. Each shelf could be slide out fully to store wine bottles easily.
- ✧ 15 wooden shelves loading capacity: 126bottles. (Standard Bordeaux with 750ml)
- ✧ The U2 shelf can't put the champagne bottle.





Taking out shelf (empty loading)

- ✧ As shown at above figure, the shelf is fixing with the sliding rails.
- ✧ Slide the shelf ⑤ outwards to the end, grab two sides of the shelf, lift it up a bit and right after pull the shelf outwards a bit, and then lift up the shelf fully and take it out.



Putting back shelf (empty loading)

- ✧ Grab two sides of the shelf ⑤ aiming the slots ② & ④ to the stoppers ① & ③ on the sliders, insert it downwards, and then push the shelf inwards to the end, right after the shelf will go down a bit again, then the shelf ⑥ will fix tightly with the sliders.
- ✧ The appliance equips with independent shelves to allow your collection of wine get mature quietly and peacefully.
- ✧ Loading capacity will vary in terms of different way of bottle arrangement or different bottle sizes.
- ✧ The shelf should be avoided in front of the fan as much as possible to avoid blocking the fan and affecting the cooling efficiency.
- ✧ Open the door wide enough before pulling out shelves.
- ✧ If the wine cooler would have no load for a long time, it is recommended to power it off, clean it carefully, and open the door for ventilation.

Troubleshooting

The appliance makes lots of noise?	<ul style="list-style-type: none"> • Please adjust the front foot, keep the appliance level. • Please keep the appliance a bit space from walls.
Liquid flowing sound inside the cabinet?	<ul style="list-style-type: none"> • It is normal because of the refrigerant working inside.
The appliance does not start?	<ul style="list-style-type: none"> • Make sure the appliance is connected to the power properly • Make sure switch on the power. • The compressor re-starts after 5 minutes for a power cut.
Compressor runs continuously?	<ul style="list-style-type: none"> • If no cold is being produced, call the retailer's after-sale service.
Door does not seal tightly?	<ul style="list-style-type: none"> • After long time use, the door seal might get stiff & distorted partially. 1. Heat the door seal with hot-wind blower or hot towel. The door seal gets softened and close the door.
The appliance does not cool sufficiently?	<ul style="list-style-type: none"> • Please adjust temperature setting. • Keep the appliance away from sunlight or heat. • Please do not open the door frequently.
Unpleasant smells inside cabinet?	<ul style="list-style-type: none"> • A little bit plastic smell for newly-buy appliance is normal and will disappear after a short time. • Clean the compartment and ventilate it for a few hours.
Condensate on the glass door?	<ul style="list-style-type: none"> • Please do not open the door frequently or for a long time. • Please do not set the temperature too low. • High ambient temperature and humidity would cause condensate.
The light is not working?	<ul style="list-style-type: none"> • Check the power supply first. <p>Call the retailer's after-sale service if the light is broken.</p>

Maintenance and cleaning

Cleaning

- Disconnect the appliance before cleaning.
- Clean the appliance with soft cloth or sponge by water.
- Do not use organic solvents, alkaline detergent, boiling water, washing powder or acid liquid etc.
- Do not flush the compartment of the appliance.
- Clean regularly surfaces that can come in contact with accessible drainage systems.

The below items will damage the surface of wine cooler:



Power cut

Most power cuts could be resolved within a short time. To protect your wines during a power cut, avoid opening the door as much as possible. During very long power cuts, take the necessary measures to protect your wine.

Out of service for long time

Remove all bottles from the appliance, switch off, defrost, clean, dry, and leave the door open to prevent mould developing within the appliance.



If the appliance is disconnected or if there is a power cut, you must wait at least five minutes before re-starting.

Moving the appliance

- Cut off the power supply and unplug the appliance.
- Remove all bottles from the appliance.
- When moving the appliance, do not lean the appliance over 45°.



Technical Parameters

Product model	CC328MB-B	CC328MB-1	CC328MB-2
Voltage/ frequency	220-240V ~ /50Hz	220-240V ~ /50Hz	220-240V ~ /50Hz
Refrigerant/ weight	R600a/50g	R600a/50g	R600a/50g
Effective volume	335L	335L	335L
Loading capacity	158 bottles	112bottles	126 bottles
Net weight	75 kg	80.5 kg	91 kg
Unit dimension (WxDxH)	595×570×1770mm	595×570×1770mm	595×570×1770mm
Packing dimension (WxDxH)	660×625×1960mm	660×625×1960mm	660×625×1960mm

Remarks:

1. The net weight includes shelves, and the Unit dimension is without handle on the door.
2. The manufacturer reserves all the rights to change the above parameters without prior notice. Please refer to the nameplate of your appliance.
3. Loading capacity will vary in terms of different way of bottle arrangement or different bottle sizes (standard Bordeaux with 750ml is applied here).

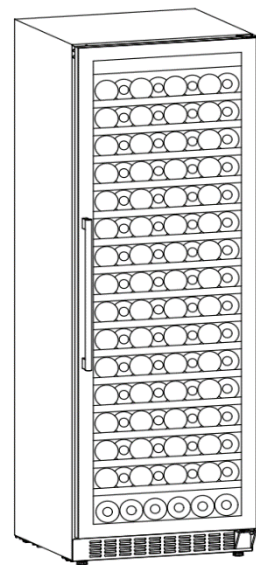
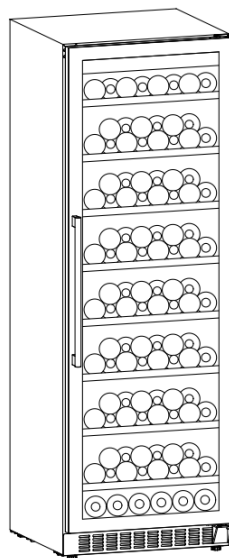
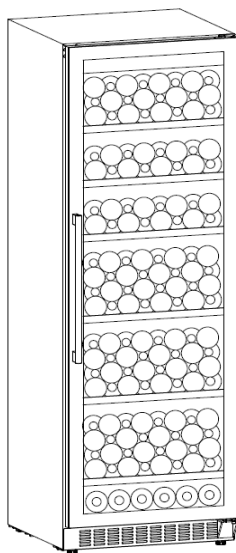
Vinkøleskab

Betjeningsvejledning

CC328MB-B

CC328MB-U1

CC328MB-U2



*Tak for dit køb af dette Cavecool vinkøleskab.
Dette produkt benyttes til at køle vin.*

Indhold

Sikkerhed og advarsler	1-2
Installation	3
Beskrivelse af apparatet.....	4-8
Betjening	8-18
Problemløsning.....	19
Vedligehold og rengøring.....	20
Tekniske specifikationer.....	21

Sikkerhed og advarsel

Din sikkerhed er yderst vigtig for vores firma. Venligst læs denne vejledning inden du tager apparatet i brug. Skulle du være tvivl om nogle informationer i denne vejledning, venligst kontakt os.



Prohibition



Warning



Caution



Bemærk

- Dette produkt kan benyttes af børn over 8 år og personer med nedsatte fysiske, sensoriske eller mentale evner så længe de er under opsyn eller modtager instruktioner, så de forstår at bruge apparatet på en sikker måde og forstår de involverede farer. Børn må ikke lege med apparatet. Rengøring og brugervejledning må ikke udføres af børn som ikke er under opsyn.
- Børn skal være under opsyn for at sikre, at de ikke leger med apparatet.
- Dette apparat er KUN beregnet til HUSHOLDNINGSBRUG og ikke til kommerciel eller industriel brug.



Advarsel

- Hold ventilations åbninger frie på apparatet og udluftning fri ved indbygning.
- Brug ikke mekaniske apparater eller andre redskaber for at gøre afrimning og optøning hurtigere.
- Ødelæg ikke kølerør og lignende.
- Benyt ikke elektriske apparater inden i skabet. Medmindre det er anbefalet af fabrikken.
- Apparatet må kun tilsluttes strøm i.h.t. til energilabelen på siden eller bagsiden af apparatet.
- Tilslut apparatet til 220-240 V / 50 Hz vekselstrøm via en korrekt installeret stikkontakt med jordforbindelse. Stikkontakten skal være sikret med en 10-13 A sikring. Vinkøleskabet leveres med

en såkaldt Schuko stikprop som er standarden i de fleste lande i Europa. Dette er et 2-benet stikprop med sidejord.

- Mange danske hjem har en stikkontakt med dansk jord (3 ben). I de tilfælde skal du tilkøbe en adapter hos din forhandler, som nemt klikkes på. Alternativt skal du eller en autoriseret elinstallatør skifte stikproppen til den danske 3-benede stikprop som du ligeledes kan købe hos din forhandler.
- Sørg for at sætte stikket godt ind i stikkontakten for at undgå brandfare.
- Stikket bør være nemt tilgængeligt i tilfælde nødstop.
- Opbevar ikke benzin, brandbare væsker, og lignende indeni eller i nærheden af apparatet.
- Benyt ikke andre elektroniske apparater inde i vinkøleskabet.

Børne sikkerhed

- Tillad ikke børn at lege inden i skabet, da de kan blive spærret inde.
- Tillad ikke børn at lege med eller hænge på døren, da skabet kan vælte.
- Tillad ikke børn at røre ved kompressor eller andre ting under skabet pga. fare

Vinkøleskabet tåler ikke vand

- Sprøjt eller hæld ikke vand i skabet, da det kan kortslutte.

Pas på fryseskader

- Rør ikke ved de indvendige flader med våde hænder, da det kan give fryse skader.

Åben ikke døren I længere tid

- hvis døren er åben i lang tid vil det påvirke skabet køleevne.

Modifier ikke skabet

- Lav ikke konstruktions ændringer på skabet, da det kan ødelægge apparatet.

Sluk for strømmen og træk stikket ud hvis

- Sluk for strømmen og træk stikket ud før rengøring og vedligehold.
- Træk stikket ud i tilfælde af strømsvigt i huset eller området.

Bortskaffelse af apparatet

- Afskaffes I henhold til lokale regler vedrørende bortskaffelse af apparater med brændbare kølemiddel og gas.

- Før du smider apparatet ud, bør døren afmonteres, så børn ikke leger med apparatet.
- Send the appliance to the designated disposal location.



Lav ikke skader på ledningen


- Træk ikke stikket ud ved at hive i ledningen, men kun ved at trække stikket ud.
- Stil ikke apparatet oven på ledningen.
- Rul ledningen sammen når skabet flyttes for at undgå skader.




Hvis ledninger er skadet

- Brug ikke ledningen hvis den er skadet, få en ny monteret af autoriseret montør.
- Hvis det er nødvendigt at forlænge ledningen med en ledning på 0,75 mm² eller større af en kvalificeret tekniker.

Installation

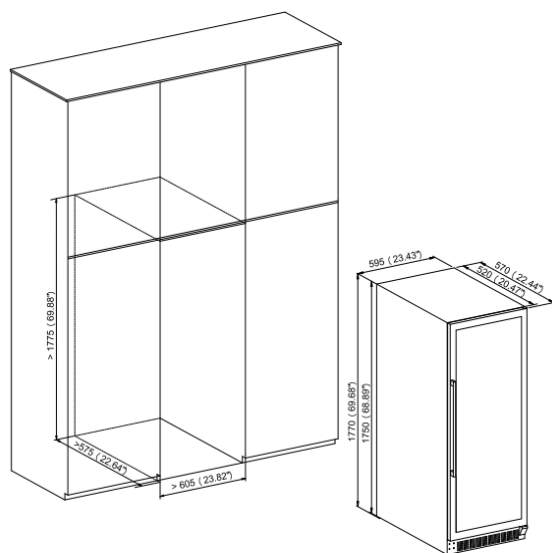
Position

 Ved flytning af apparatet bør det ikke vippes over 45. Benyt ikke emballagen under flytning af apparatet. PLACER IKKE ET INDBYGGET VINSKAB PÅ EN OPVARMET OVERFLADE SOM F.EKS. GULV MED GULVVARME, DA DETTE KAN PÅVIRKE KØLEFUNKTIONEN.

-  Placer ikke apparatet i et fugtigt rum.
-  Placer ikke apparatet i et rum der ikke er frost frit.
-  Placer ikke apparatet udendørs.

Dette vinkøleskab er designet til indbygning eller som fritstående.

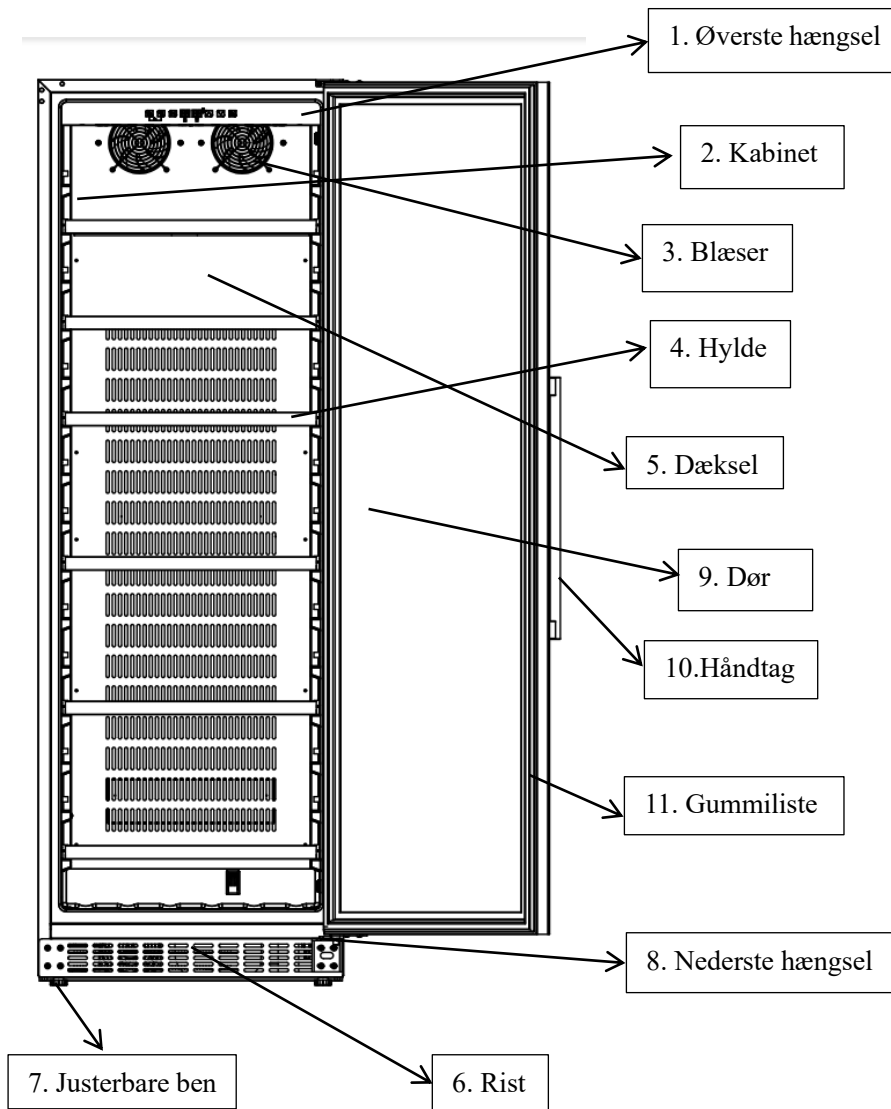
Se nedenstående for indbygning:



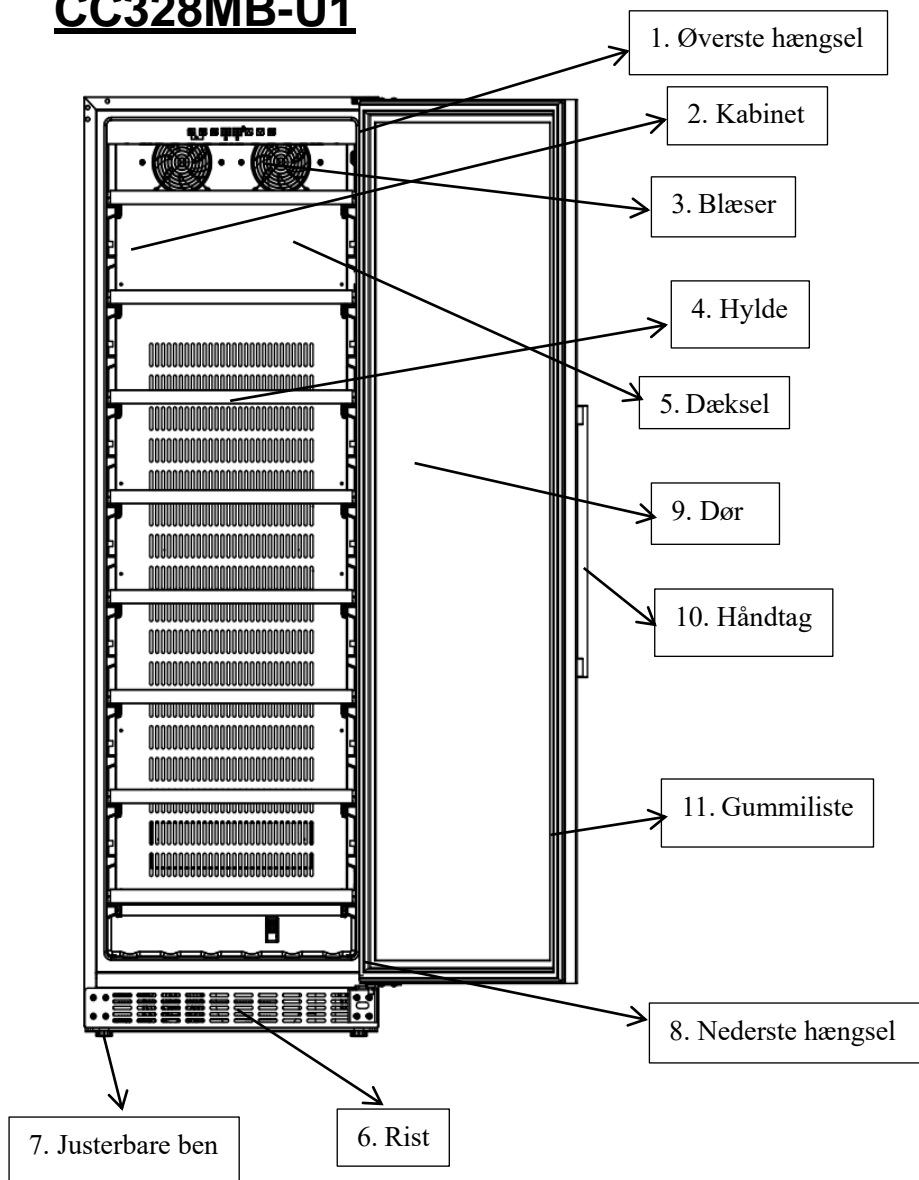
Vinflasker kan opbevares i skabet, så snart du kan mærke køling i skabet, efter ca. 1 time.

Beskrivelse af apparatet

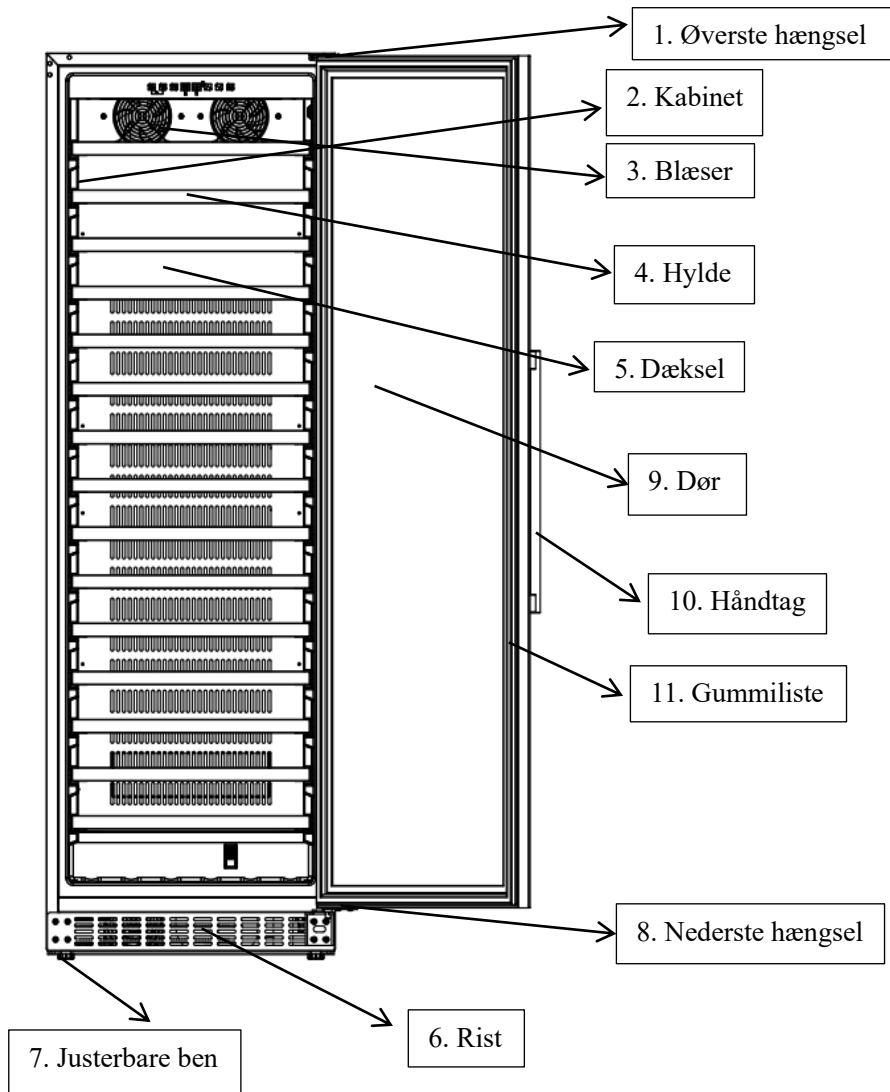
CC328MB-B



CC328MB-U1



CC328MB-U2

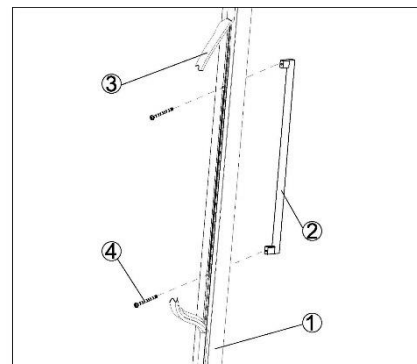


Installation af dørhåndtag og vending af døren

1. Monter håndtaget på dør rammen.

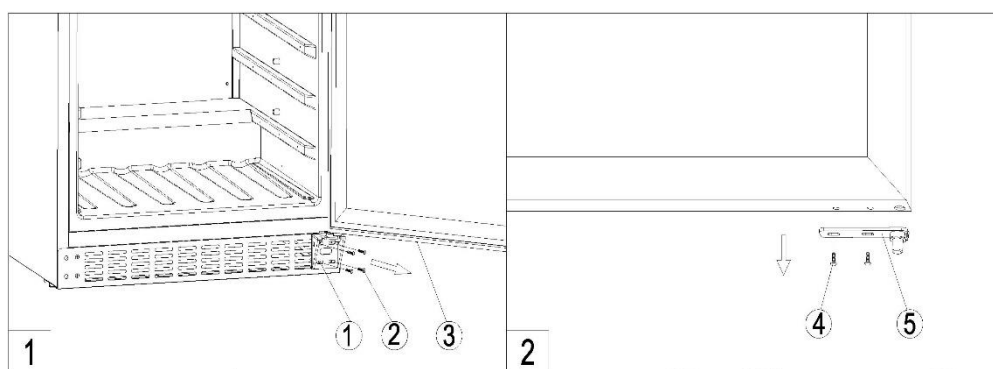
Håndtaget følger med i en separate pakke med skruer og ligger i skabet.

- ① Ved at trække et lille stykke af gummilisten fri, kan man se 2 småskruer huller i dørrammen
- ② Sæt skruerne i hullerne indefra og monter håndtaget på ydersiden af døren
- ③ Stram skruerne med en skruetrækker
- ④ Sæt gummilisten på plads igen.

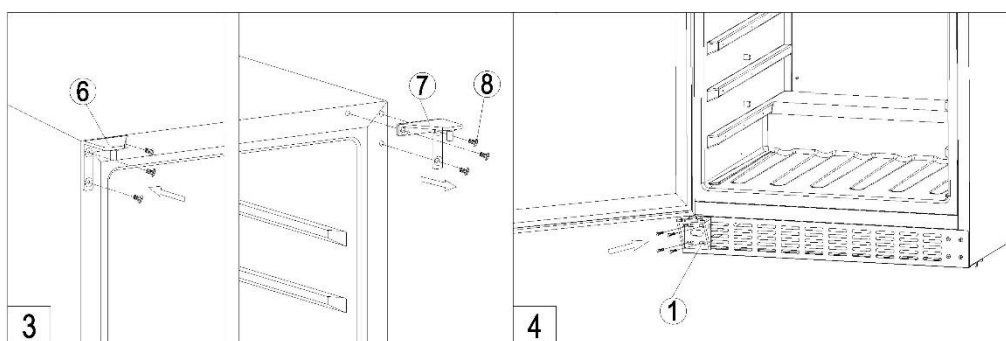


2. Vending af døren

Vinkøleskabet er leveret med åbning fra venstre til højre. For at vende åbningsretningen:



- ✧ Løsn 4 skruer ② fra nederste hængsel ① [Figure 1].
- ✧ Træk døren langsomt følg pilene Figur 1] for at fjerne det nederste hængsel ① og forsæt med at trække døren langsomt til den løsner sig fra det øverste hængsel, løsn de 2 skruer ④ for at fjerne det nederste hængsel ⑤ fra døren [Figure 2].
- ✧ Screw top right hinge ⑦ off from the cabinet and keep it in the polybag for needs if you want to change back left opening door in the future. [Figure 3]



- ✧ Installer øverste venstre hængsel ⑥ installer det nederste hængsel ① på venstre side. (⑥ ligger i posen i skabet). [Figur 3]; Vend døren op/ned 180 grader og tilpas til øverste venstre hængsel ⑥. Installer ⑤ det nederste hængsel ①. Hold døren mens skruerne strammes ⑤. [Figur 4]. Vending af døren er foretaget.

Betjening

Opstart

1. Rengøring af skabet

Før strømmen tilsluttes bør apparatet rengøres. (For detaljer, se "Vedligehold og Rengøring")

2. Placering

Før skabet tilsluttes strøm, bør det stå i mindst 30 minutter.

3. Tilslut og Tænd

Apparatet vil starte nedkøling som tager ca. 1 time inden det kan mærkes.

Kontrol panel

Den faktiske temperatur i det øverste område vises på venstre skærm (#1), Den faktiske temperatur i det nederste område vises på den højre skærm (#2).



Alle knapper virker ikke hvis skabe er i "Låst mode". Husk at låse op først.



Tænd/sluk

1. Hold knappen inde i 3 sekunder, for at tænde.
2. Hold knappen inde i 3 sekunder for at slukke.



Light

Tryk på knappen, for at tænde eller slukke Led lyset inde i skabet. Når standby tilstand er slået til, kan knappen ikke benyttes.

CC328MB-B:

Skabet har hvidt LED-lys indvendigt i toppen. Det har tre niveauer af lysstyrke som kan indstilles. Når skabet sættes i stik første gang, er det på den laveste lysstyrke. Hold lys knappen inde i 2 sekunder for at øge lysstyrken med et niveau og tryk igen i 2 sekunder for at øge lysstyrken med et til niveau. Tryk igen i 2 sekunder for at vende tilbage til det laveste niveau.

CC328MB-U1:

Skabet har hvidt LED-lys indvendigt i toppen og langs siderne. Det har tre niveauer af lysstyrke som kan indstilles. Når skabet sættes i stik første gang, er det på den laveste lysstyrke. Hold lys knappen inde i 2 sekunder for at øge lysstyrken med et niveau og tryk igen i 2 sekunder for at øge lysstyrken med et til niveau. Tryk igen i 2 sekunder for at vende tilbage til det laveste niveau.

CC328MB-U2:

Skabet har hvidt LED-lys indvendigt i toppen og langs siderne. Lyset i siderne kan skiftes mellem hvid, blå og orange. Det har tre niveauer af lysstyrke som kan indstilles. Når skabet sættes i stik første gang, er det på den laveste lysstyrke. Hold lys knappen inde i 2 sekunder for at øge lysstyrken med et niveau og tryk igen i 2 sekunder for at øge lysstyrken med et til niveau. Tryk igen i 2 sekunder for at vende tilbage til det laveste niveau.

Tryk på **lys knappen og ned knappen** samtidigt i 2 sekunder for at skifte farven til blå lys i siderne, tryk igen i 2 sekunder for at skifte til orange lys i siderne og tryk 2 sekunder igen for at vende tilbage til den hvide farve. Det øverste lys vil ikke tænde når der ændre farve i siderne til blå og orange.



Børne lås (Kombinations knapper)

Lås: Trykke begge knapper samtidigt i 3 sekunder for at låse.

Lås op: Trykke begge knapper samtidigt i 3 sekunder for at låse op.



Zone skift

Tryk på knappen for at skifte mellem øverste og nederste ved temperatur skift. Ved et tryk, blinker LED displayet. Tryk op og ned knapperne for skifte temperaturen. Tryk igen for at skifte zone.



Op

Tryk på knappen én gang, LED Display blinker og viser den faktiske temperatur. Fortsæt med at trykke for at justerer den ønskede temperatur, et tryk øger temperaturen med 1°C. Efter 5 sekunder uden tryk på knappen holder displayet op med at blinke og den ny temperatur er sat. LED displayet viser nu den faktiske temperatur i skabet.



Ned

Tryk på knappen én gang, LED Display blinker og viser den faktiske temperatur. Fortsæt med at trykke for at justerer den ønskede temperatur, et tryk sænker temperaturen med 1°C. Efter 5 sekunder uden tryk på knappen holder displayet op med at blinke og den ny temperatur er sat. LED displayet viser nu den faktiske temperature i skabet.



Fahrenheit/Celsius display skift

Skift temperaturvisning i displayet mellem Fahrenheit og Celsius ved at trykke på knappen i 2 sekunder.

2 zoner indstilling af temperatur område

Den øverste zone kan indstilles fra 8-22°C. Den nederste zone kan indstilles fra 5-22°C. Den øverste zone kan ikke indstilles til en lavere temperatur end den øverste zone. Zonerne kan indstilles til samme temperatur. Hvis skabet er indstillet således, vil den indstillede temperatur i den øverste zone automatisk følge temperaturen i den nederste zone når den øges.

Multizone indstilling til serveringstemperatur

Den typiske serveringstemperatur indstilling på apparatet er 16°C og 6°C i henholdsvis øverste og nederste område. Ved denne indstilling opnås en passende temperaturfordeling fra top til bund til opbevaring af forskellige typer af vin (se skemaet nedenfor):

Rødvin	15-18°C
Hvidvin	9-14°C
Rosevin	10-11°C
Champagne & Mousserende	5- 8°C

1 zone indstilling til langtidsopbevaring

Til langtidslagring af vin anbefales det, at de øverste og nederste områder indstilles til 12°C. Med samme temperaturindstillinger for to områder vil termostaten opretholde en jævn temperatur i hele skabet.

Temperaturen inde i kabinettet vil dog blive påvirket af den omgivende temperatur gradvist gennem glaslågen, hvilket skaber en lille temperaturforskel fra top til bund.



Bemærk

1. Produktet er indstillet til 12°C fra fabrikken. Den korrekte temperatur til den enkelte vin skal indstilles af brugeren.
2. Alarm lyd: Hvis systemet svigter, vil en alarm lyde. Tryk på en vilkårlig knap på kontrol panelet for at annullere lyden.
3. Temperatur sensorsvigt:

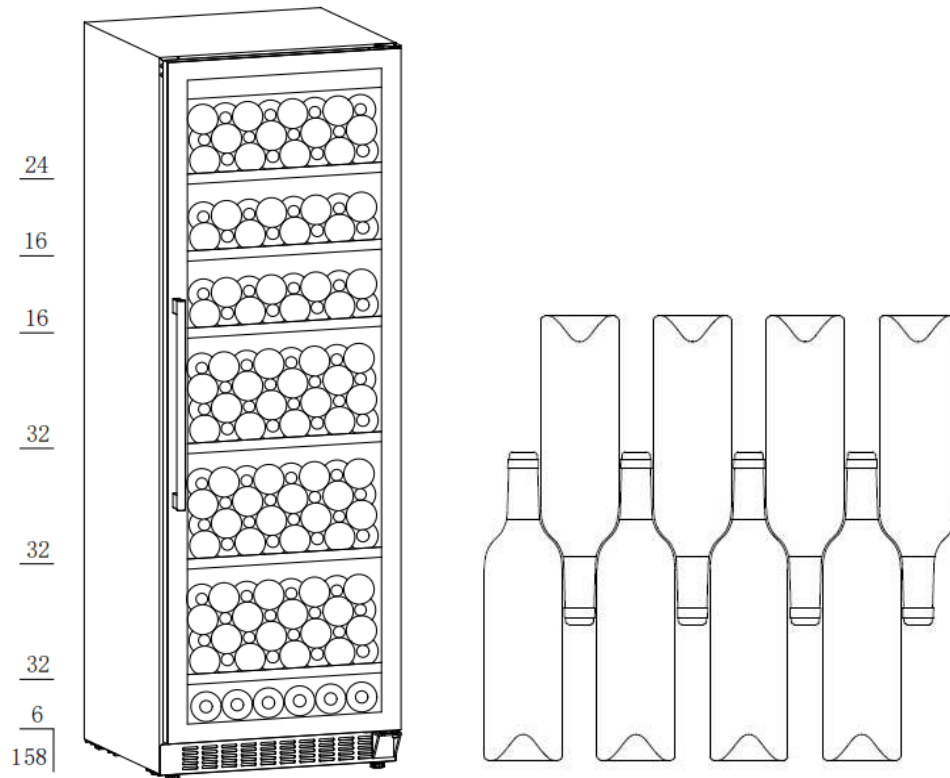
Hvis en temperatur sensor svigter, vil displayet vise E1 for midlertidig fejl; E2 for kortslutning.

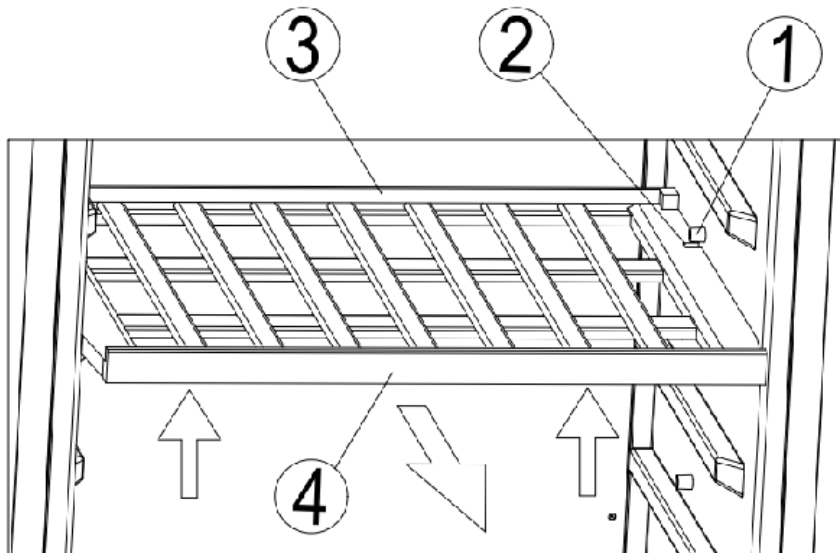
Hvis defrost sensoren svigter vil der komme en fejlkode E3 for afbrudt forbindelse og E4 for en kortslutning.

Opbevaring af vin

CC328MB-B

- ✧ Hver hylde er designet bære maks. 4 lag vinflasker. Hylde kan ikke holde mere end 4 lag vinflasker.
- ✧ 6 træhylder kan opbevare: 158 **flasker**. (Standard Bordeaux 750ml)





Sådan fjerner du en hylde (uden flasker på hylden)

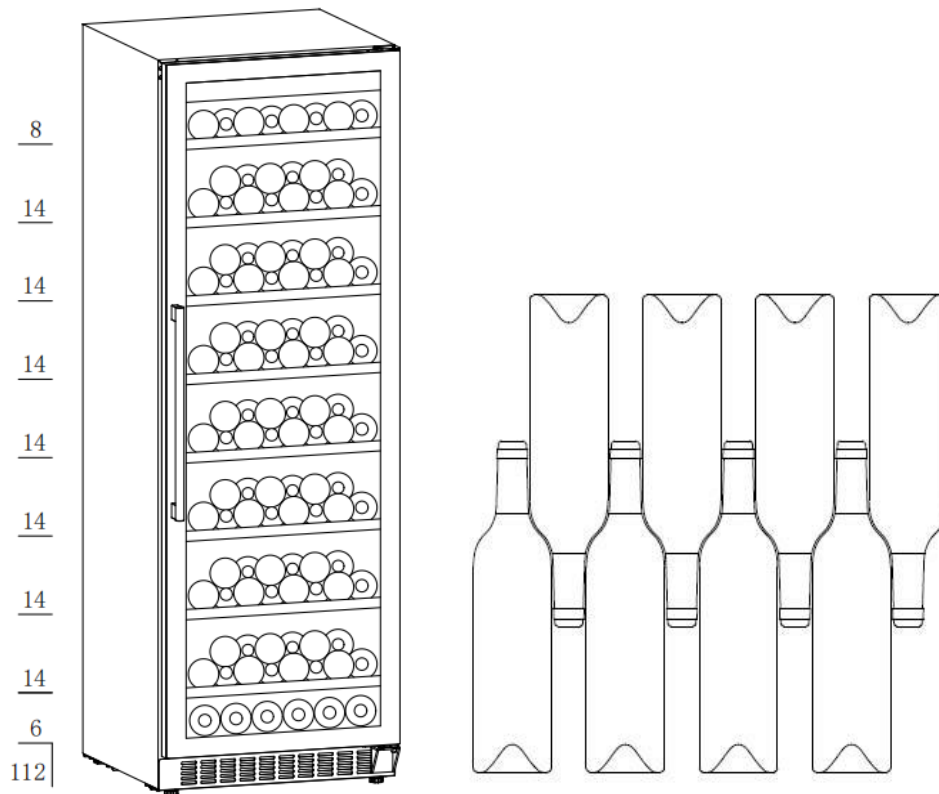
- ✧ Som vist på tegningen trækkes hylden (3) Langsomt udad, når rillen (2) er ud for stopperne (1), løftes hylde op (4), og trækkes helt ud af hyldebæreren.

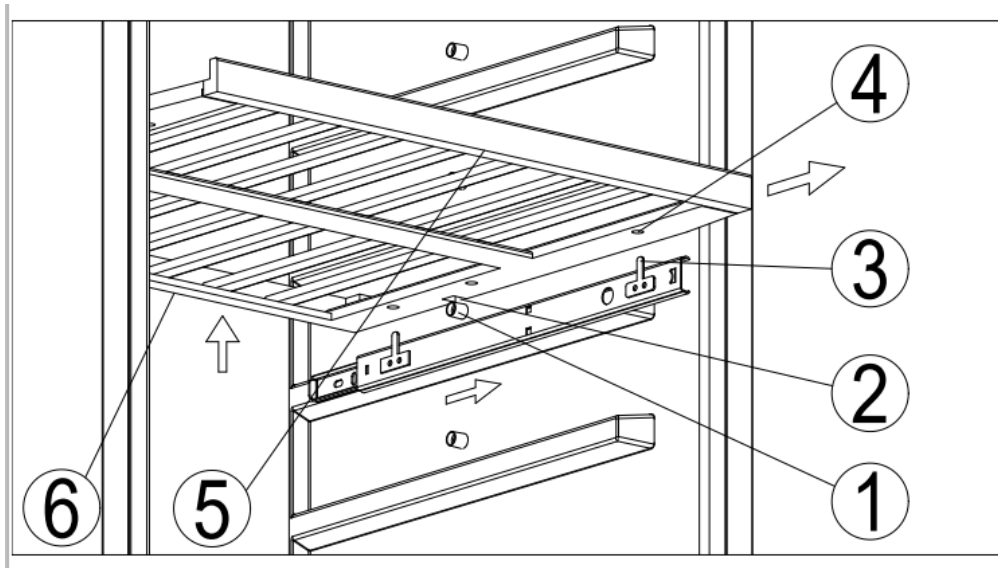
Sådan tilføjer du en hylde (uden flasker på hylden)

- ✧ Sæt hylden (4) ind i hyldebæreren, skub langsomt hylden ind til rillen (2) er over stopperen (1), sænk hylden (3) og skub den helt ind.

CC328MB-U1

- ✧ Hver hylde er designet bære maks. 1-2 lag vinflasker. Hylden kan ikke holde mere end 2 lag vinflasker.
- ✧ 8 træhylder kan opbevare: **112 flasker.** (Standard Bordeaux 750ml)





Sådan fjerner du en hylde (uden flasker på hylden)

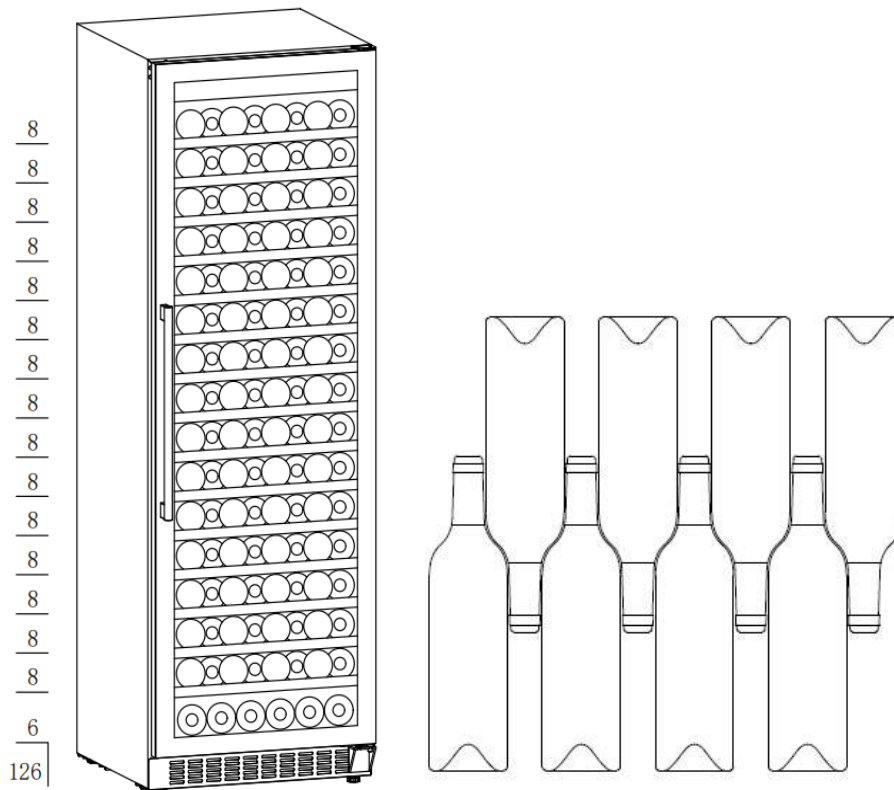
- ✧ Som vist på tegningen sidder hylden på en skinne.
- ✧ Træk hylden (5) langsomt ud, når rillen (2) er over stopperen (1), løftes hylden (6), og træk så hylden helt ud af skinnen.

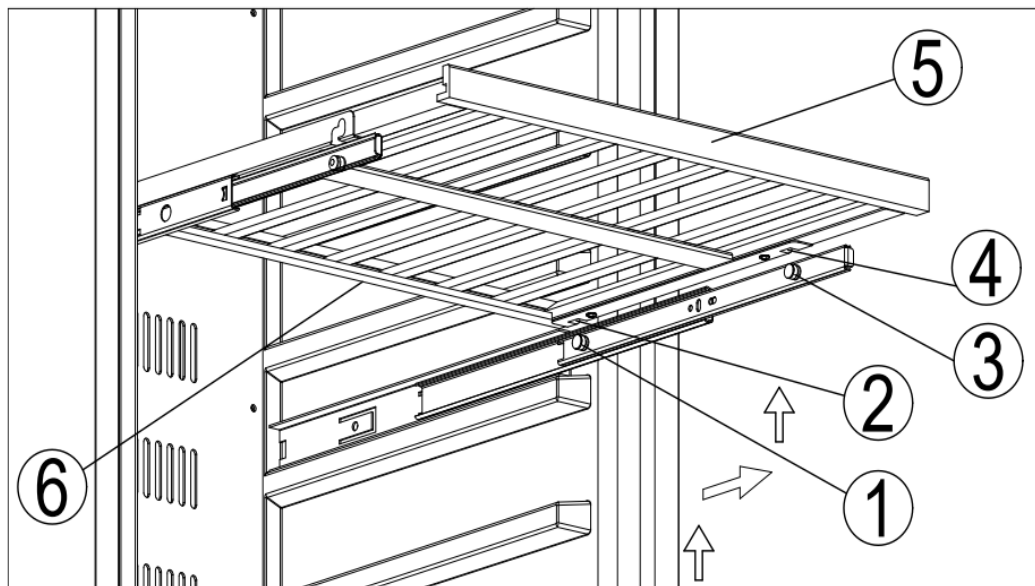
Sådan tilføjer du en hylde (uden flasker på hylden)

- ✧ Sæt hylden (5) ind i skinnen langsomt indtil rillen (2) er hen over stopperen (1), sænk hylden (5) ned, sørg for imens at stænderne (3) på skinnerne gå ind i de små huller (4) på undersiden af hylden (6). Skub nu hylden helt ind.

CC328MB-U2

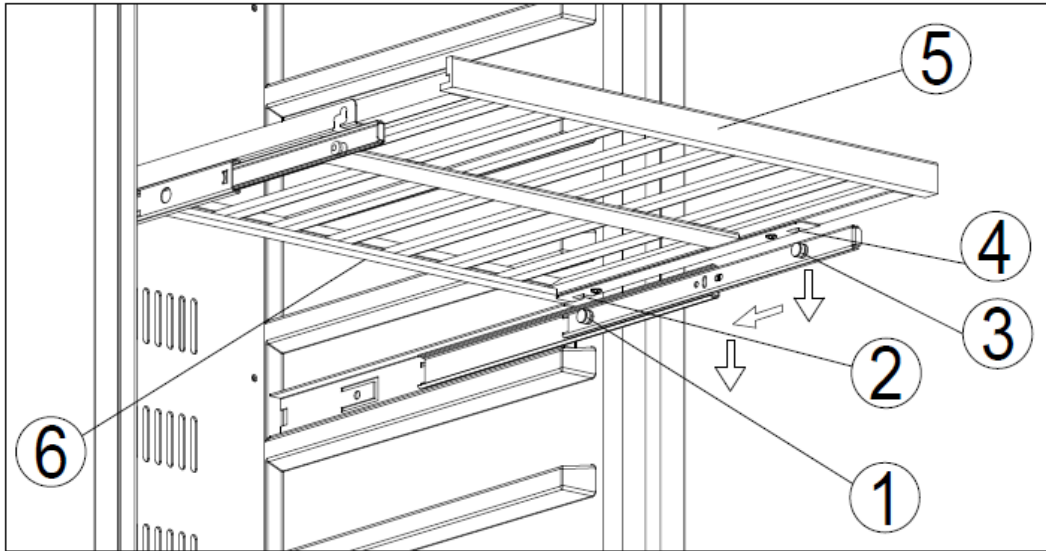
- ✧ Hver hylde er designet bære maks. 1 lag vinflasker. Alle hyldeerne kan trækkes helt ud for nemt at kunne opbevare vinflasker.
- ✧ 15 træhylder kan opbevare: **126** flasker. (Standard Bordeaux 750ml)
- ✧ U2 modellen er det ikke muligt at opbevare champagne





Sådan fjerner du en hylde (uden flasker på hylden)

- ✧ Som vist på tegningen sidder hylden på en skinne.
- ✧ Træk hylden⑤ helt ud, Tag fat i begge sider af hylden og løft den en lille smule op og træk hylden lidt ud og løft den nu helt op og fjern hylden.



Sådan tilføjer du en hyld (uden flasker på hylden)

- ✧ Tag fat i begge sider af hylden ⑤ med åbningerne ② & ④ mod stopperne ① & ③ på skinnen, indsæt den nedad og skub derefter hylden næsten helt ind, hvor hylden skal lidt nedad igen. Så sidder hylden ⑥ fast på skinnen.
- ✧ Vinskabet har enkelt hylder så din samling af vin kan modnes stille og roligt.
- ✧ Flaskeantallet vil variere i forhold til forskellige måder at arrangere flaskerne på og de forskellige flaksestørrelser.
- ✧ Hylden bør så vidt muligt ikke placeres foran ventilationen for at undgå at blokere ventilatoren som kan påvirke køleeffekten.
- ✧ Åbn lågen helt op før du trækker hylderne ud.
- ✧ Hvis vinskabet ikke skal bruges i længere tid, anbefales det at du slukker for det, rengøre det omhyggeligt og lader døren stå åbent.

Problemløsning

Apparatet larmer meget	<ul style="list-style-type: none"> ● Juster de forreste fødder, for at holde apparatet i vater/lige ● Undgå at apparatet rører ved væggen bag.
Væske lyd indefra skabet	<ul style="list-style-type: none"> ● Dette er normal medens apparatet kører
Apparatet kan ikke starte	<ul style="list-style-type: none"> ● Forvis dem om at stikket er sat i og strømmen tændt ● Sørg for at tænde for strømmen. ● Kompressoren vil auto starte efter 5 minutter efter strømsvigt
Kompressoren kører hele tiden	<ul style="list-style-type: none"> ● Hvis der ikke producers kulde skal der ringes efter service
Dør gummiliste slutter ikke tæt	<ul style="list-style-type: none"> ● Efter lang tids brug kan gummilisten blive stiv og ude af facon. 1. Opvarm gummilisten med varm luft blæser eller et varmt håndklæde. Gummilisten vil blive blød og du kan nu lukke døren så den slutter tæt.
Apparatet køler ikke effektivt	<ul style="list-style-type: none"> ● Juster temperaturen på displayet ● Hold apparatet væk fra sollys og varmekilder. ● Åben ikke døren konstant.
Ubehagelig lugt inde i skabet	<ul style="list-style-type: none"> ● En smule plastik lugt i nye apparater er normalt og vil forsvinde efter et stykke tid. ● Rengør apparatet og udluft det i et stykke tid
Kondens vand på glas døren	<ul style="list-style-type: none"> ● Åben ikke døren konstant, lad den være lukket i længere tid. ● Sæt ikke temperaturen for lavt ● Høj temperatur og luftfugtighed i omgivelserne skaber også kondens i skabet
Lyset virker ikke?	<ul style="list-style-type: none"> ● Forvis dem om stikket er sat i og strømmen tændt. ● Ring til forhandlerens after-sale service, hvis lyset er i stykker.

Vedligeholdelse og rengøring

Rengøring

- Sluk for strømmen og træk stikket ud inden rengøring begyndes.
- Rens apparatet med en fugtig klud eller svamp med vand.
- Brug ikke rengøringsmidler, opvaskemiddel, kogende vand, vaskepulver eller lignende.
- Skyl ikke apparatet hverken indvendigt eller udvendigt.

Nedenstående vil ødelægge overflade på apparatet:



Alkaline detergent. Organic solvents.



Alkaline detergent. Organic solvents.

Strømsvigt

De fleste strømsvigt ophører efter kort tid. For at beskytte vinen i tilfælde af strømsvigt bør du undgå at åbne døren. Ved meget lang strømafbrydelse bør du overveje hvordan du bedst beskytter din vin.

Ude af brug i længere tid

Fjern alle flasker fra apparatet, sluk apparatet og træk stikket ud, defrost, rengør skabet og lad døren stå åben for udluftning.



Hvis apparatet slukkes eller der er strømsvigt, vent venligst 5 minutter inden gen-start.

Flytning af apparatet

- Sluk for strømmen og træk stikket ud
- Fjern alle flasker.
- Under flytning må apparatet ikke tippes/ hælde mere end 45°.



Tekniske specifikationer

Produkt model	CC328MB-B	CC328MB-1	CC328MB-2
Volt/frekvens	220-240V ~ /50Hz	220-240V ~ /50Hz	220-240V ~ /50Hz
Kølemiddel/vægt	R600a/50g	R600a/50g	R600a/50g
Effektiv volumen	335L	335L	335L
Flaske kapacitet	158 flasker	112 flasker	126 flasker
Net vægt	75 kg	80.5 kg	91 kg
Skabets størrelse (BxDxH)	595×570×1770mm	595×570×1770mm	595×570×1770mm
Pakke størrelse (BxDxH)	660×625×1960mm	660×625×1960mm	660×625×1960mm

Bemærk:

1. Netto vægten er inklusive hylder og størrelse er uden håndtag monteret.
2. Yderligere oplysninger ses på siden eller bagsiden apparatets label.
3. Flaske kapacitet kan variere alt efter antal hylder og flaske størrelser (standard Bordeaux with 750ml er brugt her).

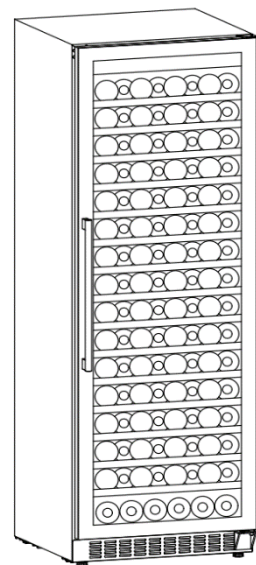
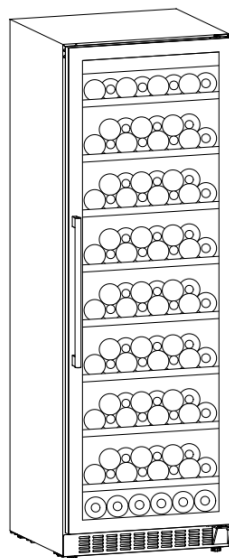
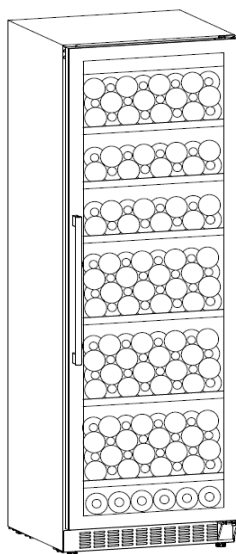
Weinkühlschrank

Bedienungsanleitung

CC328MB-B

CC328MB-U1

CC328MB-U2



Danke für Ihren Kauf dieses Weinkühlschranks.

Inhalt

Sicherheit und Warnungen	1-2
Installation	3
Beschreibung des Geräts	4-8
Bedienung	8-18
Problembehebung.....	19
Wartung und Reinigung.....	20
Technische Spezifikationen	21

Sicherheit und Warnungen

Ihre Sicherheit ist unserem Unternehmen äußerst wichtig. Bitte lesen Sie vor der Nutzung diese Anleitung. Falls Sie zu einigen Angaben in dieser Anleitung Fragen haben, können Sie uns gerne kontaktieren.



Verbote



Warnung



Achtung



Achtung

- Dieses Produkt kann von Kindern über 8 Jahren und Personen mit eingeschränkter körperlicher, sensorischer oder mentaler Kapazität bedient werden, wenn diese unter Aufsicht sind oder Anweisungen erhalten, so dass sie verstehen, wie das Gerät auf eine sichere Art genutzt wird und verstehen, welche Gefahren dies mit sich zieht. Kinder dürfen nicht mit dem Gerät spielen. Reinigung und Gebrauch dürfen nicht von Kindern durchgeführt werden, die nicht unter Aufsicht sind.
- Kinder müssen beaufsichtigt werden um zu gewährleisten, dass sie mit dem Gerät nicht spielen.
- Dieses Gerät ist NUR zur NUTZUNG IM HAUSHALT konzipiert und nicht für die professionelle Nutzung oder die Industrie.



Warnung

- Die Lüftungsöffnungen am Gerät und die Lüftung müssen beim Einbau freigehalten werden.
 - Keine mechanischen Geräte oder andere Hilfsmittel verwenden, um das Enteisen und Abtauen zu beschleunigen.
 - Die Kühlrohre u. Ä. nicht beschädigen.
 - Im Schrank keine elektrischen Geräte verwenden. Es sei denn, dies wird vom Werk empfohlen.
 - Das Gerät darf nur gemäß Etikett an der Seite oder Rückseite des Geräts angeschlossen werden.
- Das Gerät an 220-240 V / 50 Hz Wechselstrom über eine korrekt installierte Steckdose mit Erdung anschließen. Die Steckdose muss mit einer Sicherung von 10 -13 A gesichert sein. Der Weinkühlschrank verfügt über einen Schuko-Stecker, der in den meisten europäischen Ländern Standard ist. Es ist ein Stecker mit zwei Kontaktstiften.
 - Falls bei Ihnen eine 3-polige Steckdose vorhanden sein sollte, können Sie beim Händler Ihres Vertrauens einen Adapter kaufen, der einfach aufgesteckt werden kann. Alternativ können Sie oder ein autorisierter Elektroinstallateur den Stecker durch einen Stecker mit drei Kontaktstiften ersetzen.
 - Den Stecker komplett in die Steckdose einführen, um Feuergefahr zu vermeiden.
 - Der Stecker sollte im Falle eines Not-Ausschaltens leicht zugänglich sein.
 - In der Nähe des Geräts oder im Gerät dürfen Benzin, brennbare Flüssigkeiten und Ähnliches nicht aufbewahrt werden.
 - Im Weinkühlschrank keine anderen elektrischen Geräte verwenden.

Kindersicherheit

- Kindern darf das Spielen im Schrank nicht gestattet werden, da sie versehentlich eingesperrt werden können.

- Kindern darf das Spielen mit oder Hängen an der Tür nicht gestattet werden, da der Schrank umkippen kann.
- Kindern darf aus Sicherheitsgründen das Berühren des Kompressors oder anderer Dinge nicht gestattet werden

Der Weinkühlschrank verträgt kein Wasser

- Es darf kein Wasser in den Schrank gespritzt oder gegossen werden, da die Gefahr eines Kurzschlusses besteht.

Frostschäden vermeiden

- Die Innenflächen nicht mit nassen Händen berühren, da dies Frostschäden verursachen kann.

Die Tür nicht längere Zeit öffnen

- Falls die Tür lange Zeit offen steht, wird die Kühlfähigkeit beeinträchtigt.

Den Schrank nicht verändern

- Es dürfen keine Änderungen an der Konstruktion des Schrankes vorgenommen werden, da so das Gerät beschädigt werden kann.

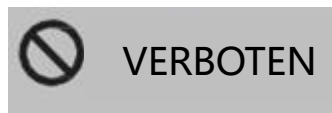
In folgenden Fällen die Stromzufuhr unterbrechen und den Stecker herausziehen

- Vor der Reinigung und Wartung die Stromzufuhr unterbrechen und den Stecker herausziehen.

- Den Stecker im Falle eines Stromausfalls im Haus oder Gebiet herausziehen.

Entsorgung des Geräts

- A Das Gerät auf dem nächsten Recyclinghof entsorgen.
- Vor der Entsorgung des Geräts sollte die Tür demontiert werden, damit die Kinder nicht mit dem Gerät spielen.
- Das Gerät muss fachgerecht entsorgt werden.



Keine Schäden am Kabel verursachen


- Den Stecker nicht durch Ziehen an der Leitung herausziehen, sondern nur direkt am Stecker ziehen.
- Das Gerät nicht auf die Leitung stellen.
- Beim Verschieben des Schrankes die Leitung aufrollen, um Schäden zu vermeiden.




Bei einer beschädigten Leitung

- Eine beschädigte Leitung nicht verwenden, sondern eine neue von einem autorisierten Monteur anbringen lassen.
- Bei Bedarf kann das Kabel mit einem Kabel von 0,75 mm² oder größer von einem qualifizierten Techniker verlängert werden.

Installation

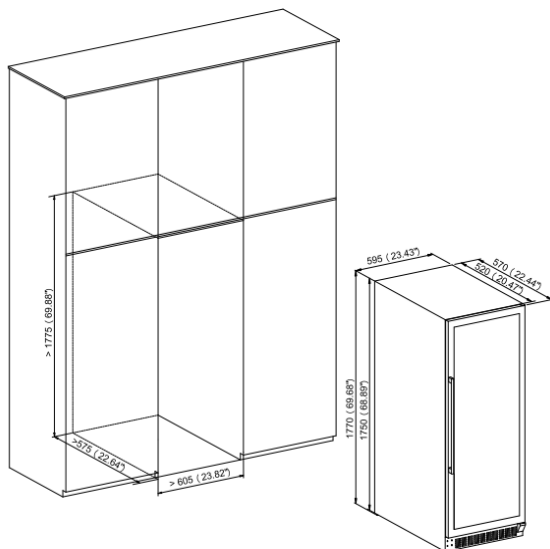
Position

 Beim Verschieben des Geräts sollte es um nicht mehr als 45° geneigt werden. Beim Verschieben des Geräts nicht die Verpackung verwenden. EINEN EINGEBAUTEN WEINSCHRANK NICHT AUF EINER ERWÄRMTEM OBERFLÄCHE WIE Z.B. EINEM BODEN MIT FUSSBODENHEIZUNG PLATZIEREN, DA DIES DIE KÜHLFUNKTION BEEINTRÄCHTIGEN KANN.

-  Das Gerät nicht in einen feuchten Raum stellen.
-  Das Gerät nicht in einen Raum stellen, in dem Frost auftreten kann.
-  Das Gerät nicht nach draußen stellen.

Dieser Weinkühlschrank ist für den Einbau konzipiert.

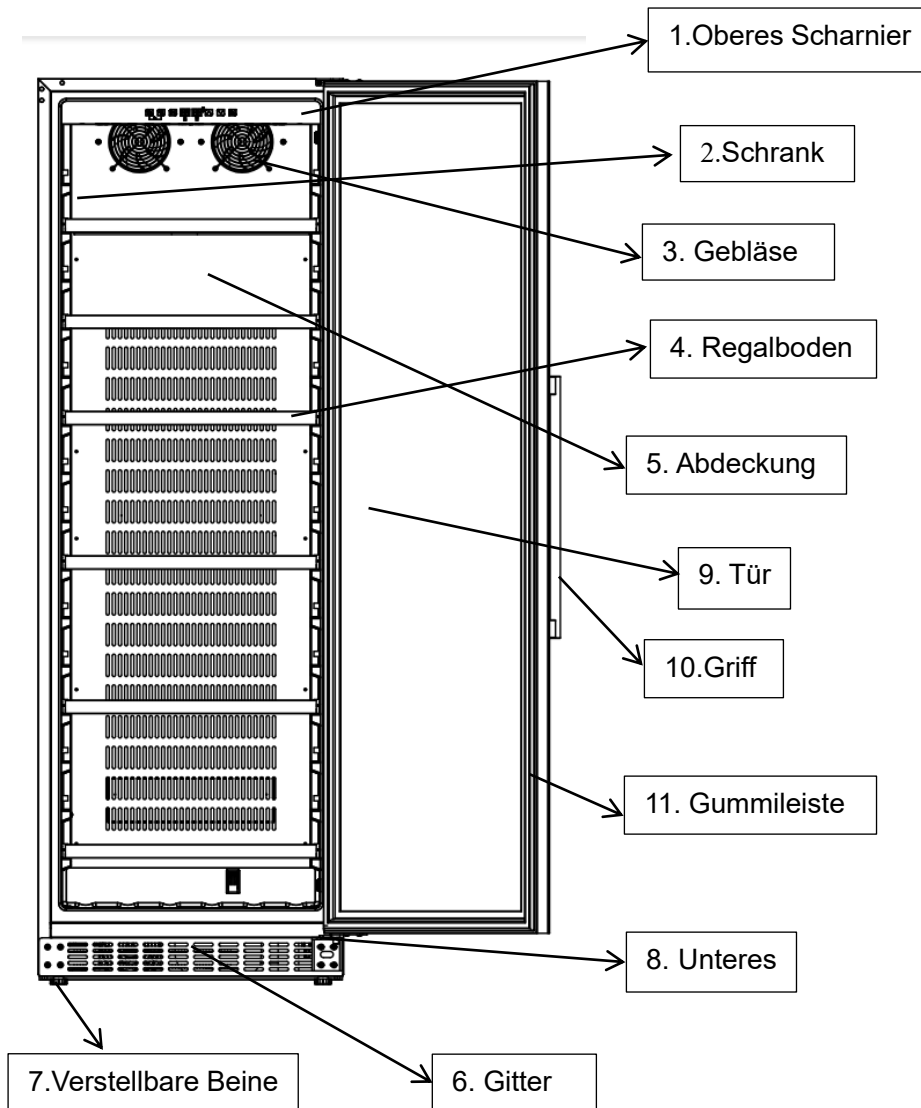
Für den Einbau:



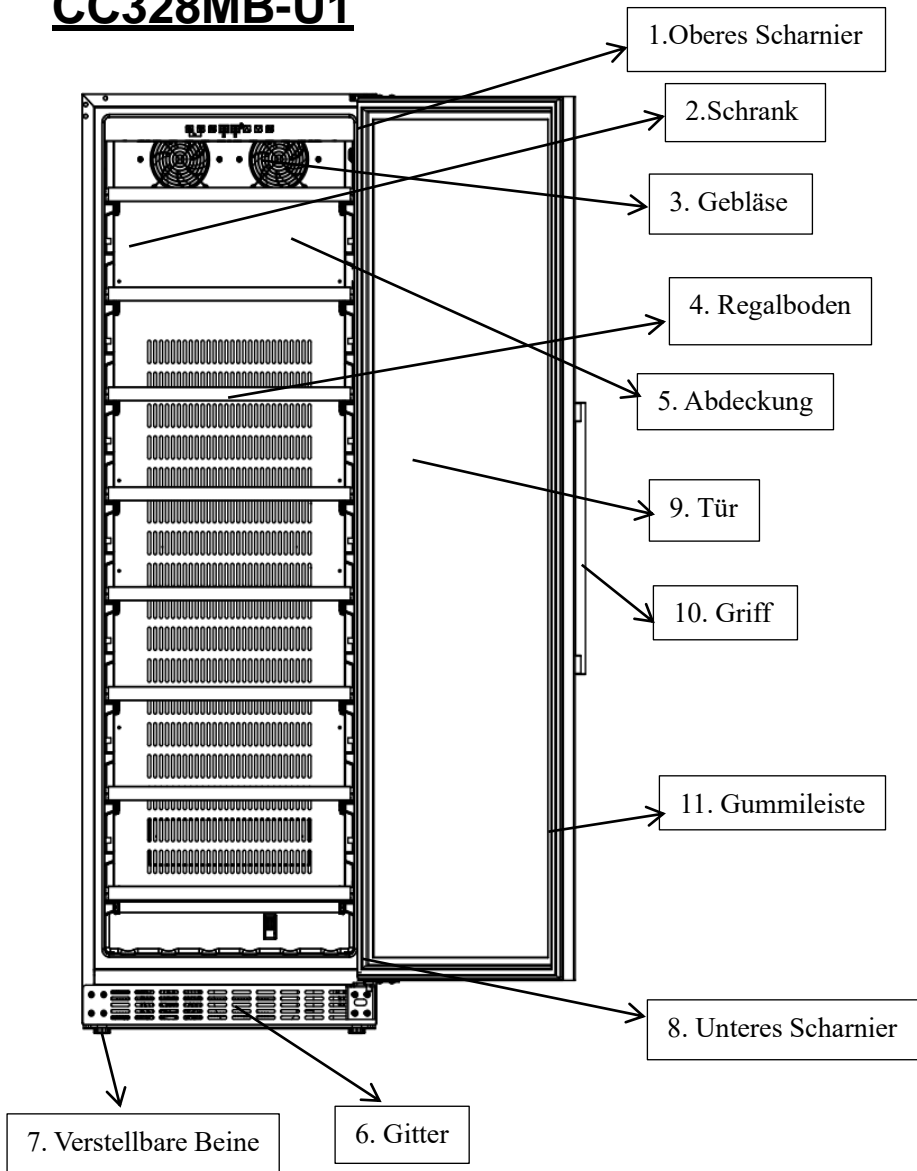
Die Weinflaschen können im Schrank gelagert werden, sobald nach ca. 1 Stunde eine Kühlung im Schrank spürbar ist.

Beschreibung des Geräts

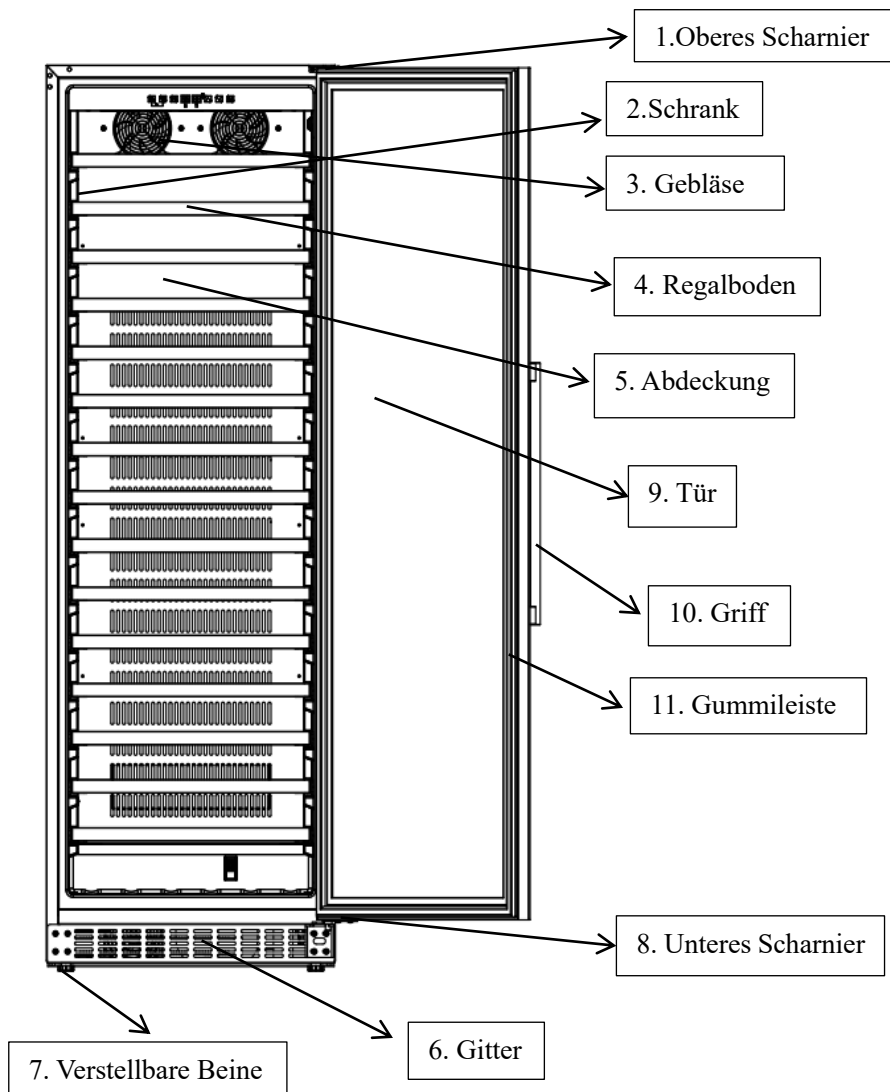
CC328MB-B



CC328MB-U1



CC328MB-U2

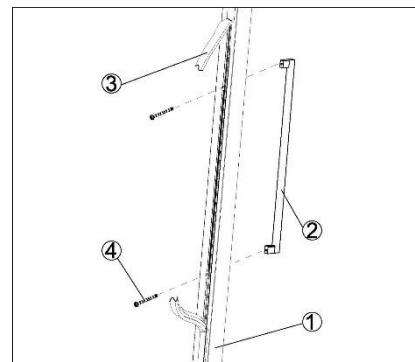


Installation des Türgriffs und Wechsel des Türanschlags

1. Den Griff am Türrahmen montieren.

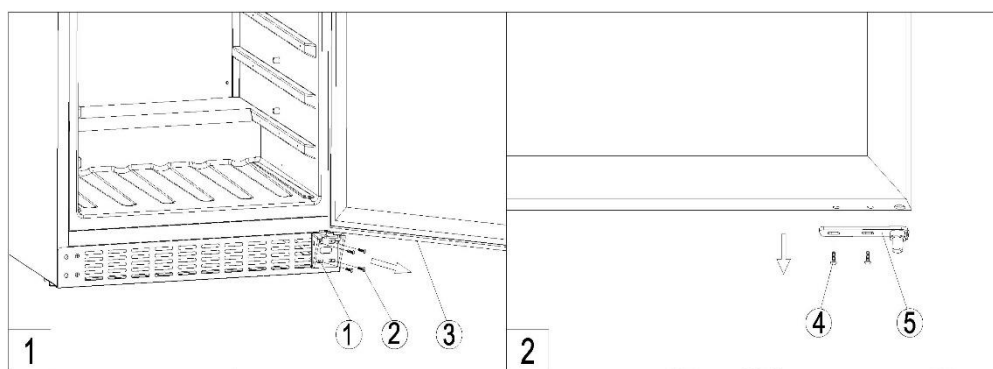
Der Griff liegt in einem separaten Paket mit Schrauben bei und liegt im Schrank.

- ① Durch das Hervorziehen eines kleinen Stücks der Gummileiste werden 2 Löcher für kleine Schrauben sichtbar.
- ② Die Schrauben von innen in die Löcher platzieren und den Griff an der Außenseite der Tür montieren.
- ③ Die Schrauben mit einem Schraubenzieher anziehen.
- ④ Die Gummileiste erneut anbringen

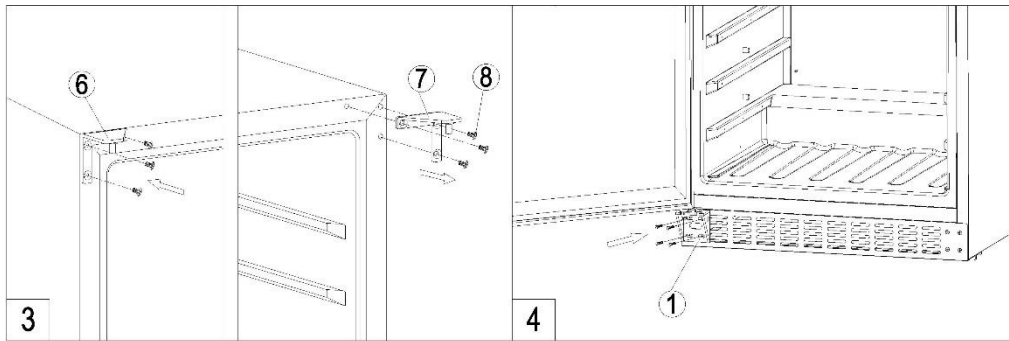


2. Wechseln des Türanschlags

Der Weinkühlschrank wird mit einer Öffnung von links nach rechts geliefert. Zum Wechseln des Türanschlags:



- ✦ Die 4 Schrauben ② am unteren Scharnier lockern ① [Abb. 1].
- ✦ Die Tür langsam in Pfeilrichtung abziehen [Abb. 1], um das untere Scharnier zu entfernen ①. Die Tür langsam weiter abziehen, bis sie sich vom oberen Scharnier löst. Die 2 Schrauben lockern ④, um das untere Scharnier ⑤ von der Tür zu entfernen [Abb. 2].
- ✦ Das obere Scharnier lockern ⑦ und aufbewahren für den Fall, dass der Türanschlag wieder geändert werden soll [Abb. 3].



- ✧ Das Scharnier oben links installieren (6) das untere Scharnier (1) auf der linken Seite anbringen (6) liegt im Beutel im Schrank). [Abb. 3] Die Tür um 180 Grad wenden und das Scharnier oben links anpassen (6). Das untere (5) Scharnier anbringen, (1) die Tür festhalten, während die Schrauben festgespannt werden (5) [Abb. 4]. Das Wechseln des Türanschlags ist jetzt erfolgt.

Bedienung

Start

1. Reinigung des Schrank

Vor dem Anschließen des Stroms sollte das Gerät gereinigt werden (Details siehe „Wartung und Reinigung“).

2. Platzierung

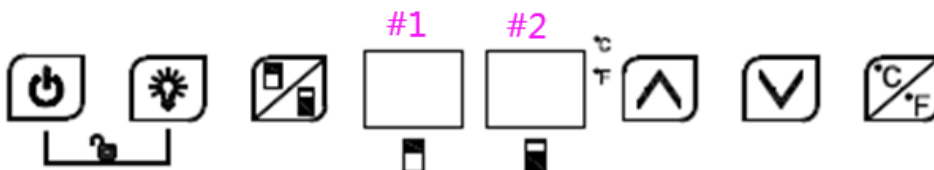
Bevor der Schrank an die Stromquelle angeschlossen wird, muss er mind. 30 Minuten lang stehen.

3. Anschluss und Einschalten

Das Gerät beginnt mit dem Kühlprozess, dessen Effekt nach ca. 1 Stunde merkbar ist.

Bedienpanel

Die faktische Temperatur im oberen Bereich wird auf dem linken Display (#1) angezeigt. Die faktische Temperatur im unteren Bereich wird auf dem rechten Display (#2) angezeigt



Sämtliche Tasten funktionieren nicht, wenn sich der Schrank im Verriegelungsmodus befindet. Bitte zuerst entriegeln



Ein/Aus

1. Zum Einschalten die Taste 3 Sekunden lang gedrückt halten.
2. Zum Ausschalten die Taste 3 Sekunden lang gedrückt halten.



Licht

Die Taste betätigen, um das LED-Licht im Schrank ein- und auszuschalten. Wenn der Standby-Modus aktiviert ist, kann der Schalter nicht benutzt werden.

CC328MB-B:

Der Schrank ist innen im oberen Bereich mit weißem LED-Licht versehen. Er hat drei Helligkeitsniveaus, die einstellbar sind. Wenn der Schrank zum ersten Mal an das Stromnetz angeschlossen wird, ist er auf die niedrigste Helligkeitsstufe eingestellt. Den Lichtschalter 2 Sekunden gedrückt halten, um die Helligkeit um ein Niveau zu erhöhen. Erneut 2 Sekunden gedrückt halten, um die Helligkeit um ein weiteres Niveau zu erhöhen. Erneut 2 Sekunden gedrückt halten, um zum niedrigsten Niveau zurückzukehren.

CC328MB-U1:

Der Schrank ist innen im oberen Bereich und an den Seiten mit weißem LED-Licht versehen. Er hat drei Helligkeitsniveaus, die einstellbar sind. Wenn der Schrank zum ersten Mal an das Stromnetz angeschlossen wird, ist er auf die niedrigste Helligkeitsstufe eingestellt. Den Lichtschalter 2 Sekunden gedrückt halten, um die Helligkeit um ein Niveau zu erhöhen. Erneut 2 Sekunden gedrückt halten, um die Helligkeit um ein weiteres Niveau zu erhöhen. Erneut 2 Sekunden gedrückt halten, um zum geringsten Niveau zurückzukehren.

CC328MB-U2:

Der Schrank ist innen im oberen Bereich und an den Seiten mit weißem LED-Licht versehen. Das Licht an den Seiten kann zwischen Weiß, Blau und Orange wechseln. Es hat drei Helligkeitsniveaus, die einstellbar sind. Wenn der Schrank zum ersten Mal an das Stromnetz angeschlossen wird, ist er auf die niedrigste Helligkeitsstufe eingestellt. Den Lichtschalter 2 Sekunden gedrückt halten, um die Helligkeit um ein Niveau zu erhöhen. Erneut 2 Sekunden gedrückt halten, um die Helligkeit um ein weiteres Niveau zu erhöhen. Erneut 2 Sekunden gedrückt halten, um zum geringsten Niveau zurückzukehren.

Den Lichtschalter und den Down-Schalter gleichzeitig 2 Sekunden gedrückt halten, um an den Seiten zur blauen Farbe zu wechseln. Erneut 2 Sekunden gedrückt halten, um an den Seiten zur orangenen Farbe zu wechseln und erneut 2 Sekunden gedrückt halten, um zur weißen Farbe zurückzukehren. Das obere Licht wird nicht eingeschaltet, wenn die Farbe an den Seiten zu Blau und Orange gewechselt wird.



Kindersicherung (Kombinationstasten)

Verriegeln: Zum Verriegeln beide Tasten 3 Sekunden lang gedrückt halten.

Entriegeln: Zum Entriegeln beide Tasten 3 Sekunden lang gedrückt halten.



Zone skift

Die Taste betätigen, um beim Temperaturwechsel zwischen dem oberen und dem unteren zu wechseln. Durch die einmalige Betätigung blinkt das LED-Display. Die Up und Down-Tasten drücken, um die Temperatur zu ändern. Zum Wechseln der Zone erneut drücken.



Op

Die Taste einmal betätigen. Das LED-Display blinkt und zeigt die reelle Temperatur an. Zum Einstellen der gewünschten Temperatur weiterhin drücken. Ein Druck erhöht die Temperatur um 1°C. Nach 5 Sekunden ohne Betätigen der Taste blinkt das Display nicht mehr und die neue Temperatur ist eingestellt. Das LED-Display zeigt nun die reelle Temperatur im Schrank an.



Unten

Die Taste einmal betätigen. Das LED-Display blinkt und zeigt die reelle Temperatur an. Zum Einstellen der gewünschten Temperatur weiterhin drücken. Ein Druck senkt die Temperatur um 1°C. Nach 5 Sekunden ohne Betätigen der Taste blinkt das Display nicht mehr und die neue Temperatur ist eingestellt. Das LED-Display zeigt nun die reelle Temperatur im Schrank an.



Wechsel zwischen Fahrenheit/Celsius am Display

Durch einen 2 Sekunden langen Druck auf die Taste wird die Temperaturanzeige am Display zwischen Celsius und Fahrenheit gewechselt.

2-Zonen-Einstellung des Temperaturbereichs

Die obere Zone ist von 8-22°C einstellbar. Die untere Zone ist von 5-22°C einstellbar. Die obere Zone kann nicht auf eine niedrigere Temperatur als die in der unteren Zone eingestellt werden. Die Zonen können auf dieselbe Temperatur eingestellt werden. Falls der Schrank so eingestellt ist, passt sich die eingestellte Temperatur in der oberen Zone automatisch der Temperatur in der unteren Zone an, wenn diese erhöht wird.

Multizonen-Einstellung für Serviertemperatur

Die normale Serviertemperatureinstellung am Gerät beträgt im oberen bzw. unteren Bereich 16°C und 6°C. Bei dieser Einstellung wird eine angemessene Temperaturverteilung von oben nach unten zum Lagern von unterschiedlichen Weintypen erzielt (siehe Übersicht unten):

Rødvin	15-18°C
Hvidvin	9-14°C
Rosevin	10-11°C
Champagne & Mousserende	5- 8°C

1-Zonen-Einstellung für die Langzeitlagerung

Für die Langzeitlagerung von Wein wird empfohlen, den oberen und unteren Bereich auf 12°C einzustellen. Mit derselben Temperatureinstellung in beiden Bereichen behält der Thermostat eine gleichmäßige Temperatur im gesamten Schrank bei.

Die Temperatur im Schrankinneren wird jedoch allmählich von der Umgebungstemperatur beeinflusst. So wird ein geringer Temperaturunterschied von oben nach unten erzeugt



Achtung

1. Das Produkt ist werksseitig auf 12 °C eingestellt. Die für den jeweiligen Wein korrekte Temperatur muss vom Nutzer eingestellt werden.

2 Alarmgeräusche: Falls das System ausfällt, ertönt ein Alarm. Um das Geräusch auszuschalten, eine beliebige Taste am Bedienpanel aktivieren.

3. Ausfall eines Temperatursensors:

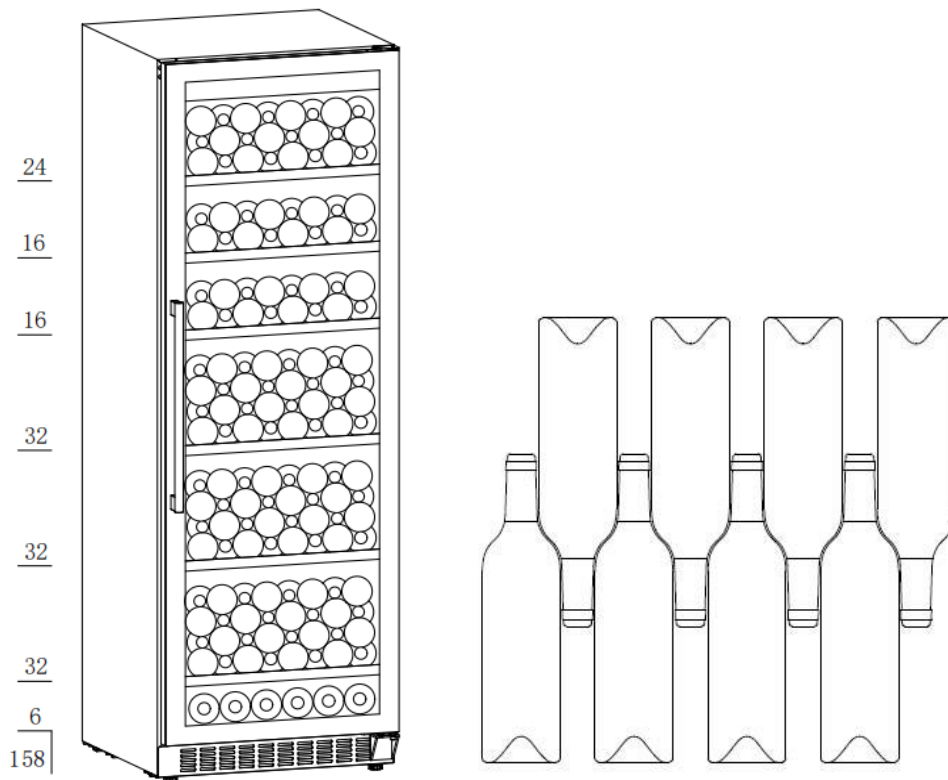
Falls ein Temperatursensor ausfällt, wird auf dem Display E1 bei einem vorübergehenden Fehler und E2 bei einem Kurzschluss angezeigt.

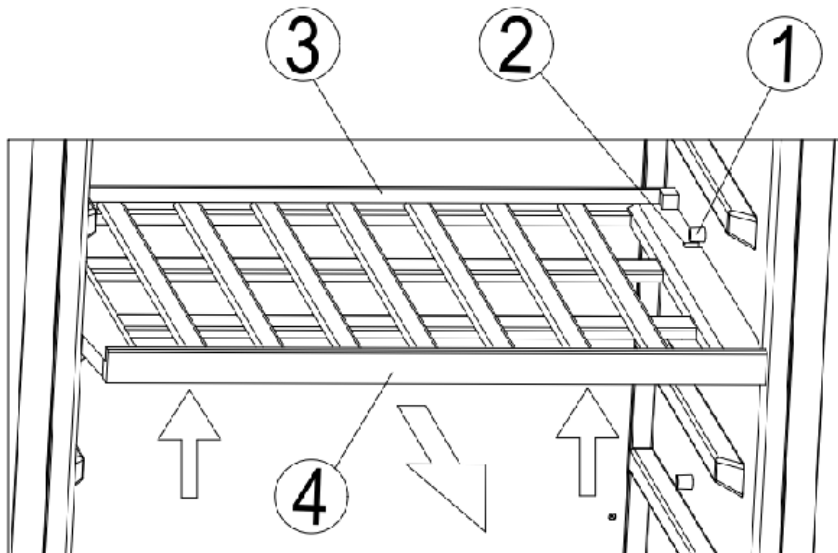
Falls der Abtausensor ausfällt, werden der Fehlercode E3 bei einer unterbrochenen Verbindung und E4 bei einem Kurzschluss angezeigt.

Lagerung von Wein

CC328MB-B

- ✧ Jeder Regalboden hat ein maximales Tragevermögen von 4 Schichten Weinflaschen. Der Regalboden kann nicht mehr als 4 Flaschenschichten fassen.
- ✧ 6 Holzregalböden können: **158** Flaschen fassen. (Standard-Bordeauxflaschen von 750ml)





So entfernen Sie einen Regalboden (ohne Flaschen auf dem Regalboden)

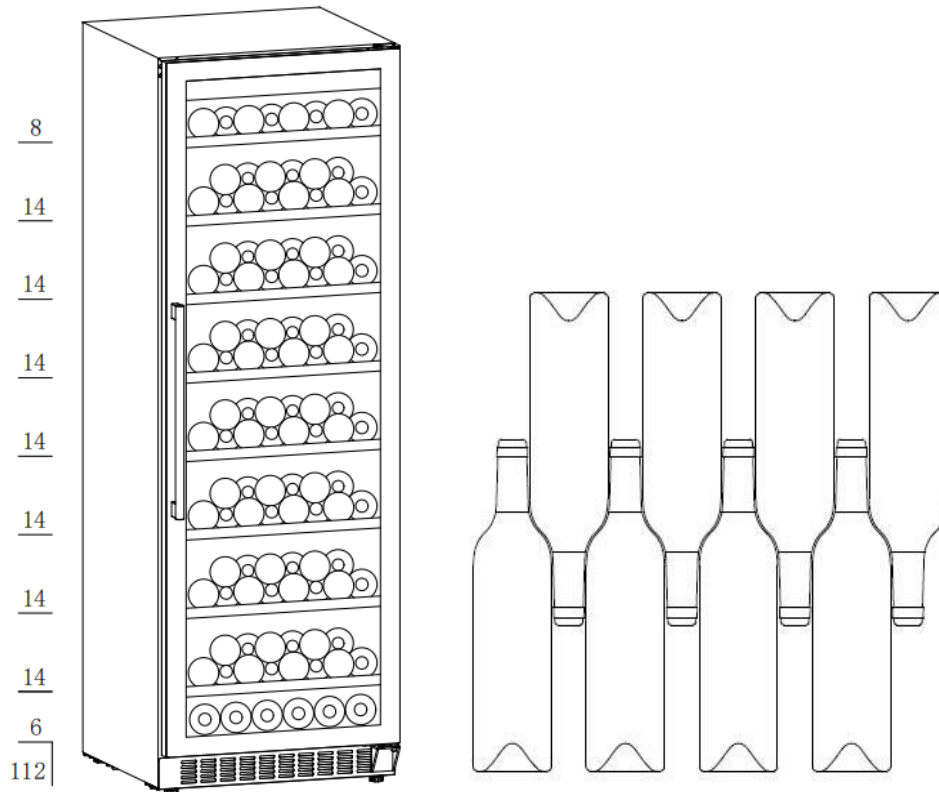
- ✧ Wie auf der Skizze abgebildet, wird der Regalboden ③ langsam herausgezogen. Wenn sich die Rille ② bei den Stoppern befindet ①, wird der Regalboden angehoben ④ und komplett aus der Regalhalterung gezogen.

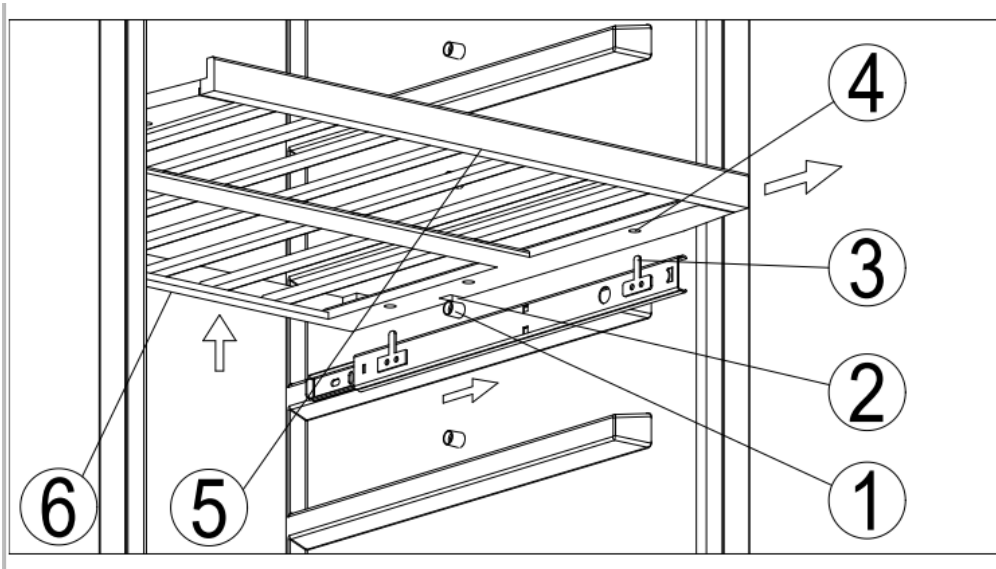
So fügen Sie einen Regalboden hinzu (ohne Flaschen auf dem Regalboden)

- ✧ Den Regalboden ④ in die Regalhalterung einsetzen, den Regalboden langsam einschieben, bis sich die Rille ② über dem Stopper befindet ①, den Regalboden absenken ③ und komplett einschieben.

CC328MB-U1

- ✧ Jeder Regalboden hat ein maximales Tragevermögen von 1-2 Schichten Weinflaschen. Der Regalboden kann nicht mehr als 2 Flaschenschichten fassen.
- ✧ 8 Holzregalböden können **112** Flaschen fassen. (Standard-Bordeauxflaschen von 750ml)





So entfernen Sie einen Regalboden (ohne Flaschen auf dem Regalboden)

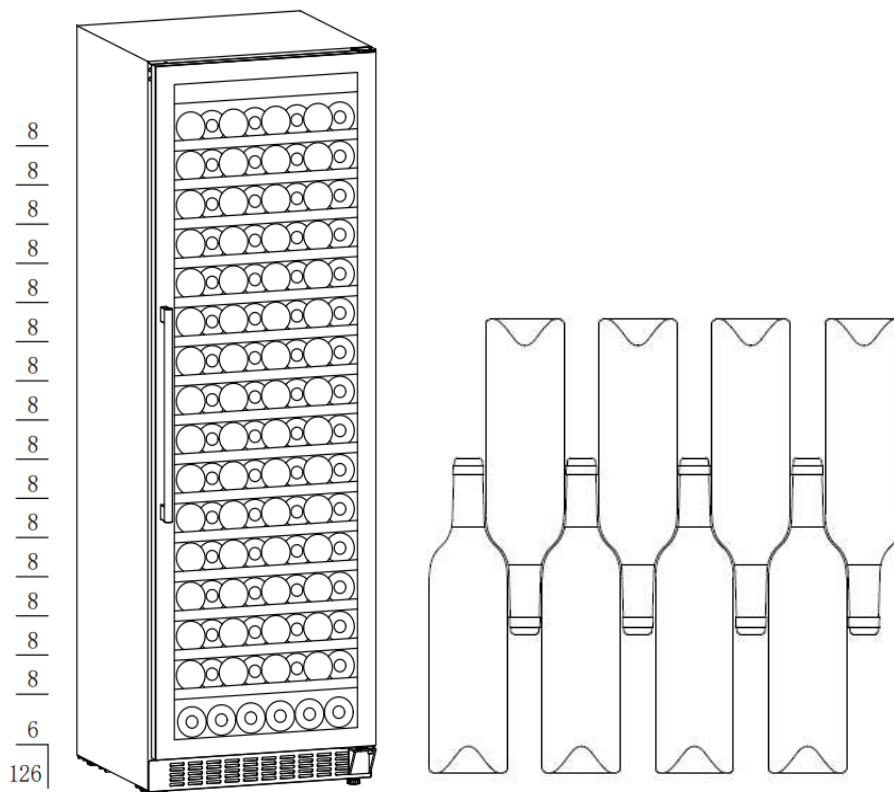
- ✧ Wie auf der Skizze abgebildet, befindet sich der Regalboden auf einer Schiene.
- ✧ Den Regalboden (5) langsam herausziehen. Wenn sich die Rille (2) beim Stopper befindet (1), wird der Regalboden angehoben (6) und komplett aus der Regalhalterung gezogen.

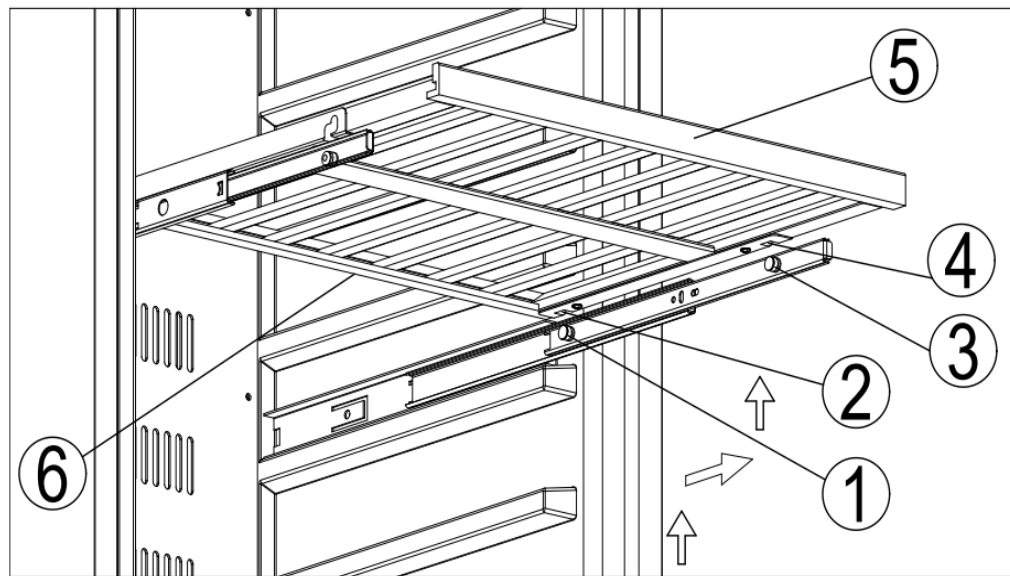
So fügen Sie einen Regalboden hinzu (ohne Flaschen auf dem Regalboden)

- ✧ Den Regalboden (5) langsam in die Schiene einsetzen, bis sich die Rille (2) über dem Stopper befindet (1). Den Regalboden (5) absenken. Dabei darauf achten, dass die Stäbchen (3) an den Schienen in die kleinen Löcher (4) an der Regalunterseite einrasten (6). Jetzt den Regalboden komplett einschieben.

CC328MB-U2

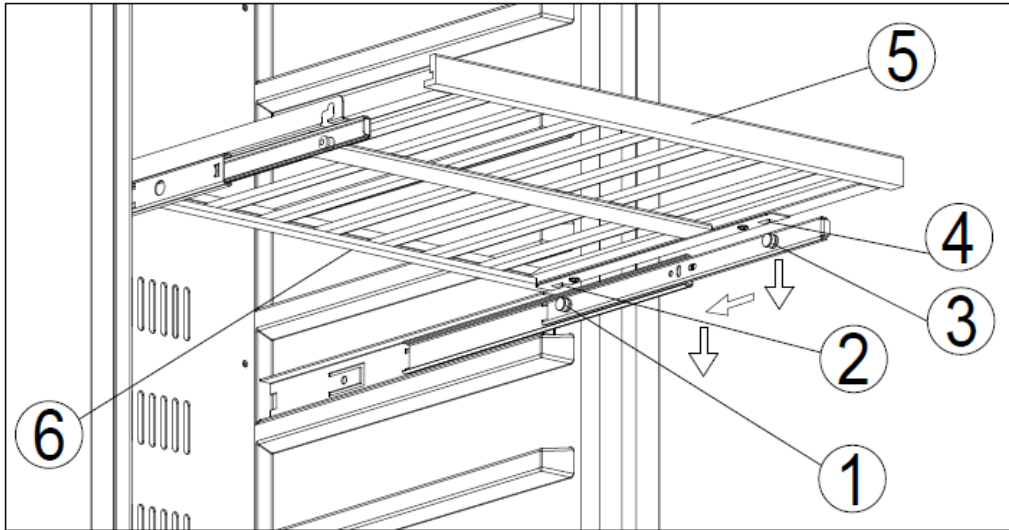
- ✧ Jeder Regalboden hat ein maximales Tragevermögen von 1 Schicht Weinflaschen. Alle Regalböden können komplett herausgezogen werden, um die Weinflaschen unkompliziert zu lagern.
- ✧ 15 Holzregalböden können **126** Flaschen fassen. (Standard-Bordeauxflaschen von 750ml)
- ✧ Im U2-Modell ist die Lagerung von Champagner nicht möglich.





So entfernen Sie einen Regalboden (ohne Flaschen auf dem Regalboden)

- ✧ Wie auf der Skizze abgebildet, befinden sich die Regalböden auf einer Schiene.
- ✧ Den Regalboden ⑤ komplett herausziehen, den Regalboden an beiden Seiten festhalten und ein wenig anheben. Den Regalboden ein wenig herausziehen und anheben, um ihn komplett zu entfernen.



So fügen Sie einen Regalboden hinzu (ohne Flaschen auf dem Regalboden)

- ✧ An beiden Seiten des Regalbodens ⑤ mit den Öffnungen ②&④ in Richtung Stopper ①&③ auf der Schiene festhalten. Nach unten einsetzen und danach den Regalboden fast komplett einschieben, wobei der Regalboden wieder ein wenig nach unten geneigt werden muss. Dann ist der Regalboden ⑥ auf der Schiene befestigt.
- ✧ Der Weinschrank hat einzelne Regalböden, so dass Ihre Weinsammlung in aller Ruhe reifen kann.
- ✧ Die Anzahl der Flaschen schwankt je nach Anordnung der Flaschen und je nach Flaschengrößen.
- ✧ Der Regalboden sollte nach Möglichkeit nicht vor dem Gebläse angebracht werden, damit das Gebläse nicht blockiert und die Kühlleistung nicht beeinträchtigt wird.
- ✧ Vor dem Herausziehen der Regalböden die Tür komplett öffnen.
- ✧ Falls der Weinschrank längere Zeit nicht genutzt wird, empfehlen wir, den Schrank auszuschalten, zu reinigen und die Tür zu öffnen.

Problembesehung

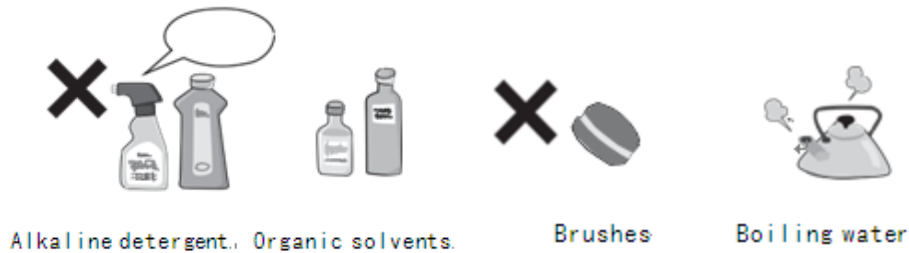
Das Gerät ist sehr laut	<ul style="list-style-type: none"> ● Die vorderen StandfüÙe justieren, um das Gerät waagrecht zu halten. ● Das Gerät sollte nicht die Hinterwand berühren.
Flüssigkeitsgeräusch aus dem Schrankinneren	<ul style="list-style-type: none"> ● Dies ist während des Betriebs normal. ●
Das Gerät startet nicht	<ul style="list-style-type: none"> ● Stellen Sie sicher, dass der Stecker eingesteckt und der Strom eingeschaltet ist ● Den Strom einschalten. ● Der Kompressor startet automatisch nach 5 Minuten nach einem Stromausfall
Der Kompressor läuft konstant	<ul style="list-style-type: none"> ● Falls keine Kälte erzeugt wird, muss der Service kontaktiert werden.
Die Gummileiste an der Tür schließt nicht komplett	<ul style="list-style-type: none"> ● Nach langer Nutzung kann die Gummileiste steif und unförmig werden. 2. Die Gummileiste mit einem Warmluftgebläse oder einem warmen Handtuch aufwärmen.
Das Gerät kühlt nicht effektiv	<ul style="list-style-type: none"> ● Die Temperatur am Display justieren. ● Das Gerät von Sonnenlicht und Wärmequellen fernhalten. ● Die Tür nicht konstant öffnen.
Im Schrank tritt ein unangenehmer Geruch auf	<ul style="list-style-type: none"> ● Ein leichter Kunststoffgeruch in neuen Geräten ist normal und verschwindet nach kurzer Zeit. ● Das Gerät reinigen und eine Zeit lang auslüften.
Kondensatbildung an der Glastür	<ul style="list-style-type: none"> ● Die Tür nicht konstant öffnen; längere Zeit geschlossen lassen. ● Die Temperatur nicht zu niedrig einstellen. ● Eine hohe Temperatur und Luftfeuchtigkeit in der Umgebung führen ebenfalls zur Kondensatbildung im Schrank
Das Licht funktioniert nicht	<ul style="list-style-type: none"> ● Stellen Sie sicher, dass der Stecker eingesteckt und der Strom eingeschaltet ist. ● Den After-Sales-Service des Händlers kontaktieren, falls das Licht kaputt ist.

Wartung und Reinigung

Reinigung

- Vor der Reinigung die Stromzufuhr unterbrechen und den Stecker herausziehen.
- Das Gerät mit einem feuchten Tuch oder einem nassen Schwamm reinigen.
- Keine Reinigungsmittel, Geschirrspülmittel, kochendes Wasser, Waschpulver oder Ähnliches verwenden.
- Das Gerät weder von außen noch innen ausspülen.

Folgendes zerstört die Oberfläche des Geräts:



Stromausfall

Die meisten Stromausfälle gehen nach kurzer Zeit vorüber. Um den Wein im Falle eines Stromausfalls zu schützen, sollte ein Öffnen der Tür vermieden werden. Bei sehr langem Stromausfall sollten Sie darüber nachdenken, wie Sie Ihren Wein am besten schützen.

Längere Zeit nicht in Betrieb

Entfernen Sie alle Flaschen aus dem Gerät, schalten Sie das Gerät aus und ziehen Sie den Stecker heraus. Tauen Sie es ab, reinigen Sie den Schrank und lassen Sie die Tür zum Lüften offen.



Falls das Gerät ausgeschaltet wird oder ein Stromausfall vorliegt, bitte 5 Minuten bis zum Neustart warten.

Verschieben des Geräts

- Die Stromzufuhr unterbrechen und den Stecker herausziehen.
- Alle Flaschen entfernen.
- Beim Verschieben darf das Gerät nicht um mehr als 45° geneigt/gekippt werden.



Technische Spezifikationen

Produktmodell	CC328MB-B	CC328MB-1	CC328MB-2
Volt/ Frequenz	220-240V ~ /50Hz	220-240V ~ /50Hz	220-240V ~ /50Hz
Kühlmittel/Gewicht	R600a/50g	R600a/50g	R600a/50g
Effektives Volumen	335L	335L	335L
Flaschenkapazität	158 Flaschen	112 Flaschen	126 Flaschen
Nettogewicht	75 kg	80.5 kg	91 kg
Größe des Schrankes (BxTxH)	595×570×1770mm	595×570×1770mm	595×570×1770mm
Paketgröße (BxTxH)	660×625×1960mm	660×625×1960mm	660×625×1960mm

Achtung:

1. Das Nettogewicht ist einschließlich Regalböden und die Größe ist ohne montierten Griff.
2. Weitere Informationen gehen aus der Plakette an der Seite oder der Rückseite des Geräts hervor.
3. Die Flaschenkapazität kann je nach Anzahl der Regalböden und der Flaschengrößen variieren (hier wurde eine Standard-Bordeauxflasche von 750 ml zugrunde gelegt).