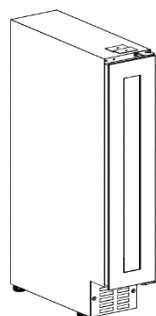
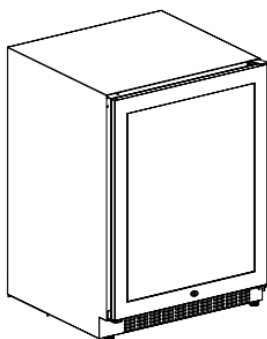


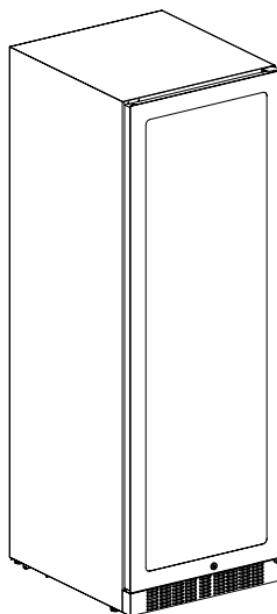
WINE COOLER USER GUIDE



PN7S



PN45S PN45D



PN166S PN166D

(Dansk s. 22, Deutsch s. 43)
www.pevino.com

BEFORE USE, PLEASE READ AND FOLLOW ALL SAFETY RULES AND OPERATING INSTRUCTIONS.

WARNING!

- To prevent damaging the door gasket, make sure to have the door all the way opened when pulling shelves out of the rail compartment.
- The appliance must be positioned so that the plug is accessible. Release the electric cord. Move your cabinet to its final location. Do not move your Cabinet while loaded with wine. You might distort the body. The wine cellar should be installed in a suitable place in order to avoid Touching the compressor with the hand.
- This appliance is not intended for use by persons (including children) with reduced physical, sensory, or mental capabilities, or lack of experience and knowledge, unless they have been given supervision or instruction concerning use of the appliance by a person responsible for their safety.
- Children should be supervised to ensure that they do not play with the appliance.
- If the supply cord is damaged, it must be replaced by manufacturer of its Service agent or a similarly qualified person in order to avoid a hazard.

This appliance can be used by children aged from 8 years and above and persons with reduced physical, sensory, or mental capabilities or lack of experience and knowledge if they have been given supervision or not play with the appliance. Cleaning and user maintenance shall not be made by children without supervision.

– **WARNING:** Keep ventilation openings, in the appliance enclosure or in the built-in structure, clear of obstruction.

– **WARNING:** Do not use mechanical devices or other means to accelerate the defrosting process, other than those recommended by the manufacturer.

– **WARNING:** Do not damage the refrigerant circuit.

– **WARNING:** Do not use electrical appliances inside the food storage compartments of the appliance, unless they are of the type recommended by the manufacturer.

This refrigerating appliance is not suitable for freezing foodstuffs.

Do not store explosive substances such as aerosol cans with a flammable propellant in this appliance.

This appliance is intended to be used in household and similar applications such as

– staff kitchen areas in shops, offices, and other working environments.

– farmhouses and by clients in hotels, motels, and other residential type environments.

– bed and breakfast type environments.

– catering and similar non-retail applications.

– **WARNING:** To avoid a hazard due to instability of the appliance, it must be fixed in accordance with the instructions.

To avoid contamination of wine, please respect the following instructions:

– Opening the door for long periods can cause a significant increase of the temperature in the compartments of the appliance.

– Clean regularly surfaces that can come in contact with bottles and accessible drainage systems.

– Clean water tanks if they have not been used for 48 h; flush the water system connected to a water supply if water has not been drawn for 5 days.

– If the refrigerating appliance is left empty for long periods, switch off, defrost, clean, dry, and leave the door open to prevent mold developing within the appliance.

PLEASE DON'T TRY TO PLUG INTO OR EXTENSION THE CABLE IN ANY CASE.

IMPORTANT SAFETY INSTRUCTIONS

⚡WARNING⚡

To reduce the risk of fire, electrical shock, or injury when using your appliance, follow these basic precautions:

- Read all instructions before using the Wine cooler.
- **DANGER or WARNING:** Risk of child entrapment. Child entrapment and suffocation are not problems of the past. Junked or abandoned appliances are still dangerous . . . even if they will “just sit in the garage a few days”.
- **Before you throw away your old Wine cooler:** Take off the door. Leave the shelves in place so that children may not easily climb inside.
- Never allow children to operate, play with, or crawl inside the appliance.
- Never clean appliance parts with flammable fluids. The fumes can create a fire hazard or explosion.
- Do not store or use gasoline or any other flammable vapors and liquids in the vicinity of this or any other appliance. The fumes can create a fire hazard or explosion. Do not store explosive substances such as aerosol cans with a flammable propellant in this appliance.
- **WARNING:** keep ventilation openings, in the appliance enclosure or in the built-in structure, clear of obstruction.
- Do not use mechanical devices or other means to accelerate the defrosting process, other than those Recommended by the manufacturer.
- **WARNING:** To avoid a hazard due to instability of the appliance, it must be fixed in accordance with the instructions.
- **WARNING:** Do not damage the refrigerant circuit.
- **WARNING:** Do not use electrical appliances inside the food storage compartments of the appliance, unless they are the type recommended by the manufacturer.
- **The refrigerant of these appliances is R600a, Flammable and explosive articles should not be put in or near the cabinet, to avoid the fire or explode caused.**



-Save these instructions-

INSTALLATION INSTRUCTIONS

➤ Before Using Your Wine cooler

- Remove the exterior and interior packing.
- Before connecting the Wine cooler to the power source, let it stand upright for approximately 2 hours. This will reduce the possibility of a malfunction in the cooling system from handling during transportation.
- Clean the interior surface with lukewarm water using a soft cloth.
- This appliance is intended to be used in household and similar applications such as
 - staff kitchen areas in shops, offices, and other working environments.
 - farmhouses and by clients in hotels, motels, and other residential type environments.
 - bed and breakfast type environments.
 - catering and similar non-retail applications.
- When disposing your appliance, please choose an authorized disposal site.

➤ Installation of Your Wine cooler

- This appliance is designed to be for free standing installation or built-in (fully recessed) (Refer to sticker location the back of this appliance). PN7 is only for built in.
- **This appliance is intended to be used exclusively for the storage of wine.**
- Place your Wine cooler on a floor that is strong enough to support it when it is fully loaded. To level your Wine cooler, adjust the front leveling leg at the bottom of the Wine cooler/ cooler.
- This appliance is using flammability refrigerant. So never damage the cooling pipework during the transportation. Locate the Wine cooler away from direct sunlight and sources of heat (stove, heater, radiator, etc.). Direct sunlight may affect the acrylic coating and heat sources may increase electrical consumption. Extreme cold ambient temperatures may also cause the unit not to perform properly.
- Avoid locating the unit in moist areas.
- Plug the Wine cooler into an exclusive, properly installed-grounded wall outlet. Do not under any circumstances cut or remove the third (ground) prong from the power cord. Any questions concerning power and/or grounding should be directed toward a certified electrician or an authorized Products service center.
- Door handles, door hinges, trays, and baskets for a minimum period of seven years and door gaskets for a minimum period of 10 year, after placing the last unit of the model on the market.
- Thermostats, temperature sensors, printed circuit boards and light sources are available for a minimum period of seven years after placing the last unit of the model on the market.

➤ Attention

- Store wine in sealed bottles.
- Do not overload the cabinet.
- Do not open the door unless necessary.
- Do not cover shelves with aluminum foil or any other shelf material which may prevent air circulation.
- Should the Wine cooler be stored without use for long periods it is suggested, after a careful cleaning, to leave the door ajar to allow air to circulate inside the cabinet in order to avoid possible formations of condensation, mold, or odors.

➤ **Ambient Room Temperature Limits**

This appliance is designed to operate in ambient temperatures specified by its temperature class marked on the rating plate.

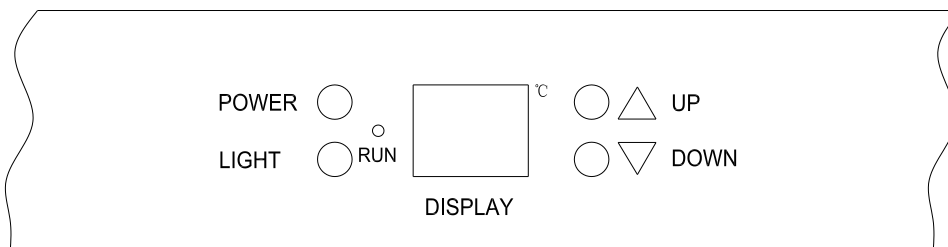
Class	Symbol	Ambient Temperatures range (°C)
Extended Temperate	SN	+ 10 to + 32
Temperate	N	+ 16 to + 32
Subtropical	ST	+ 16 to + 38
Tropical	T	+ 16 to + 43

OPERATING YOUR WINE COOLER

The Wine Cooler should be placed in where the ambient temperature is below 35°C. If the ambient temperature is above this range, the performance of the unit may be affected and may cause interior temperatures to fluctuate. The range of setting temperatures may not be reached.

➤ **The controls of your Wine Cooler**

FOR PN45S/PN166S



The temperature setting can be adjusted from 5°C to 18°C.

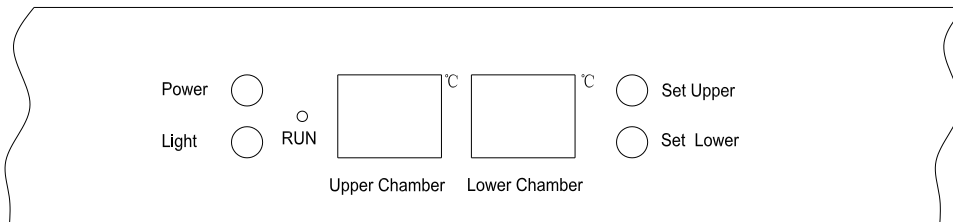
- **LIGHT**
Control the interior light ON/OFF.
- **RUN**
When it's ON, the cooling system runs.
- **Power**
control this appliance turn on/off. (Press and hold this button for approximately 3 seconds);
- **“UP” BUTTON**
Press once the “UP” button, the temperature will raise 1 °C.
- **“DOWN” BUTTON**
Press once the “DOWN” button, the temperature will lower 1 °C.
- **“DISPLAY”**
Display the set temperature indoor.

Note:

Press "UP" or "DOWN" button for 3 seconds. The actual temperature will be showed on DISPLAY.

It will return to the set temperature by pressing any button.

FOR PN45D/PN166D



Upper compartment: The temperature setting can be adjusted from 5°C to 18°C.
Lower compartment: The temperature setting can be adjusted from 5°C to 18°C.

- **Light**
Control the interior light ON/OFF.
- **RUN**
When it's ON, the cooling system runs.
- **Power**
control this appliance turn on/off. (Press and hold this button for approximately 3 seconds).
- **“Set Upper” Button**
To set the temperature of the upper chamber.
- **“Set Lower” Button**
To set the temperature of the lower chamber.
- **“Upper Chamber”**
Display the set temperature in upper compartment.
- **“Lower Chamber”**
Display the set temperature in lower compartment.
- Note: **Press** “Set Upper” or “Set Lower” button for 3 seconds, the actual temperature Will be display in the zone. It will return to the set temperature by pressing any button.
- Press “Set Upper” and “Set Lower” button for 3 seconds to switch between Celsius or Fahrenheit.

➤ **Internal light (For PN45S/PN45D/PN166S/PN166D)**

This wine cooler is equipped with top and side internal lights that can be set to a blue, white, or amber color. You can choose to display each color of light in two different modes. Automatic mode and display mode.

Automatic mode

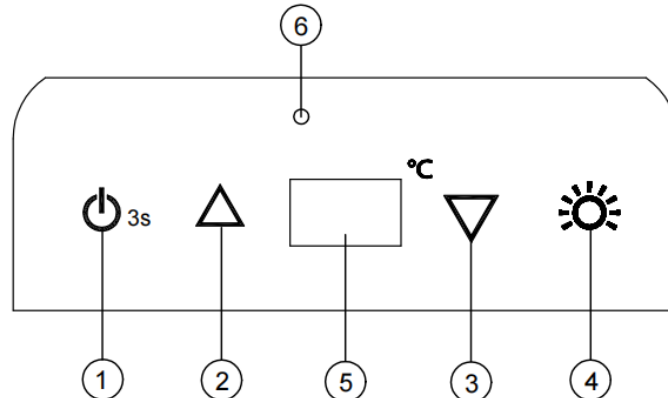
The internal light will illuminate each time the door is opened and fade off once the door is closed. With each press of the light button to change the light color.

Display mode

Press and hold the light button for three seconds to enter Display mode. The internal lights will stay constantly illuminated whether the door is open or closed. With each press of the light button to change the light color. Press and hold the light button for three seconds will return to Automatic mode.

The brightness with three levels for the internal light. Press the light button and UP/Set Upper button at the same time for two seconds to adjust the brightness.

FOR PN7S



The temperature setting can be adjusted from 5°C to 18°C.

- ① **Power**: control this appliance turn on/off. (Press and hold this button for approximately
- ② **UP**: **Press** once the “UP” button, the temperature will raise 1 °C.
- ③ **DOWN**: **Press** once the “DOWN” button, the temperature will lower 1 °C.
- ④ **LIGHT** : Control the interior light ON/OFF.
In order to reduce energy consumption. This cabinet will automatically switch off the internal light after 10 minutes. If you want the internal light to remain on continuously. Press and hold this button for 5 seconds until display show “LP”. To revert to normal mode. Press and hold this button for 5 seconds until display show “LF”.
- ⑤ **DISPLAY**: **Display** the set temperature indoor.
- ⑥ **RUN**: When it’s ON, the cooling system runs.

Note:

Press "UP" or "DOWN" button for 3 seconds. The actual temperature will be showed on DISPLAY. It will return to the set temperature by pressing any button.

➤ Setting The Temperature Controls

Press once the button, the temperature will decrease or increase 1 °C. When exceeding the minimum value that can be established, it will jump to the highest adjustable temperature value automatically.

NOTE:

- If the unit is unplugged, power lost, or turned off, you must wait 3 to 5 minutes before restarting the unit. If you attempt to restart before this time delay, the Wine Cooler will not start.
- When you use the wine Cooler for the first time or restart the wine Cooler after having been shut off for a long time, there could be a few degrees variance between the temperature you select and the one indicated on the LED readout. This is normal and it is due to the length of the activation time. Once the wine Cooler is running for a few hours everything will be back to normal.

➤ **Temperature Memory Function**

If the power is suddenly lost, the set temperature will be saved by the unit. Once the power is back on, the unit will be at the same actual temperature.

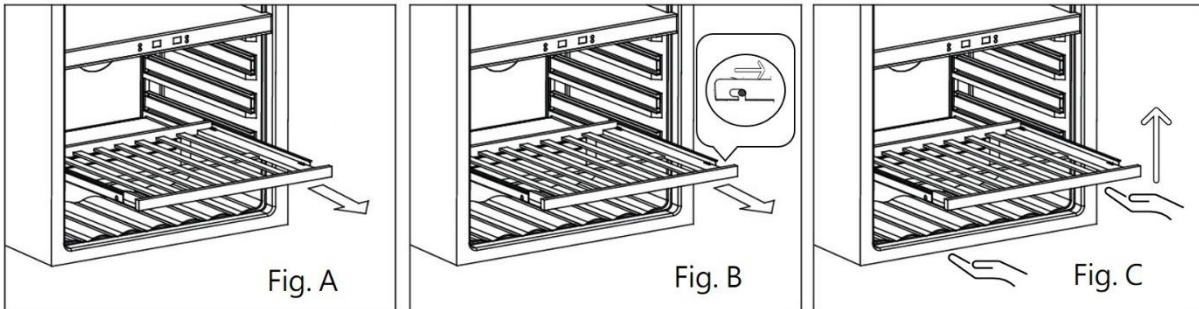
➤ **Temperature Alarm Function**

If the interior temperature is higher than 23°C (73°F), “HI” is shown on the display panel and the buzzer alarm sounds continuously after one hour. This indicates that the inner temperature is too high, please look for the reason. If the inner temperature is lower than 0°C (32°F), “LO” is shown on the display panel; the alarm sounds continuously after fifteen minutes.

➤ **How to remove the shelf**

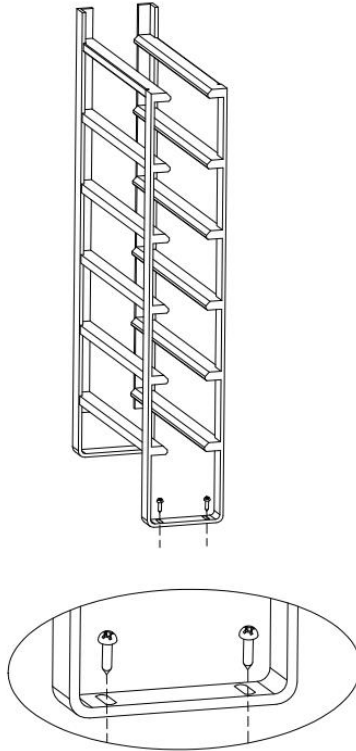
For PN45S/PN45D/PN166S/PN166D

- To prevent damaging the door gasket, make sure to have the door all the way opened when pulling shelves out of the rail compartment.
- To Remove Shelves:
 1. Fully extend the shelf you wish to remove (Fig. A)
 2. Pull the shelf towards you until the buckle is released. (Fig. B)
 3. Holding the shelf track with both hands, push the shelf up horizontally (Fig. C)



For PN7S

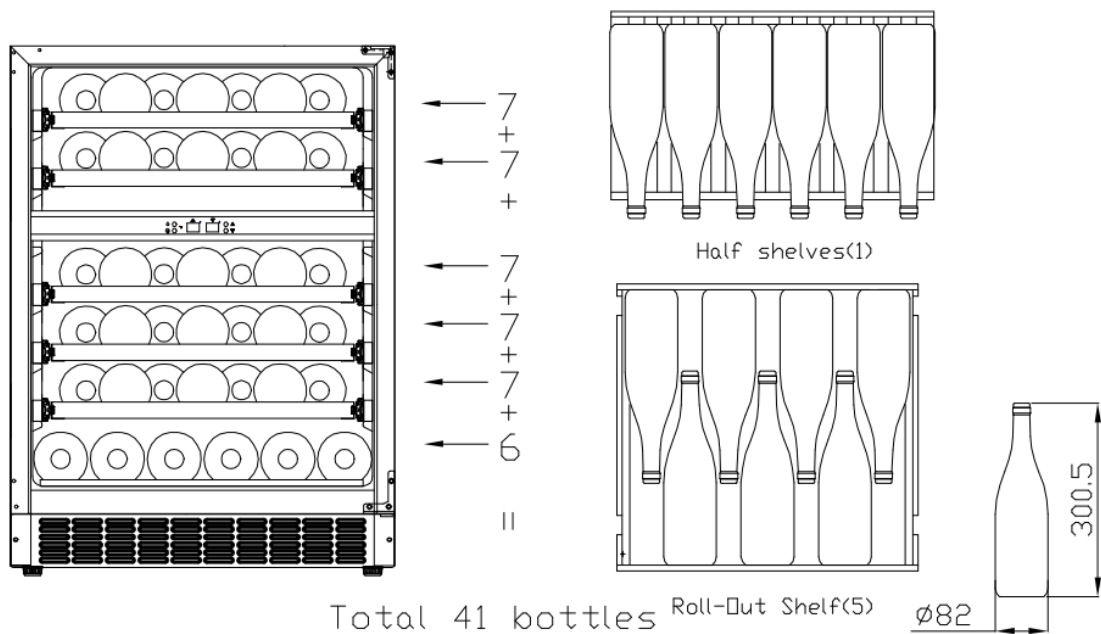
Remove two screws and the Integrated style wood shelf can be draw out.



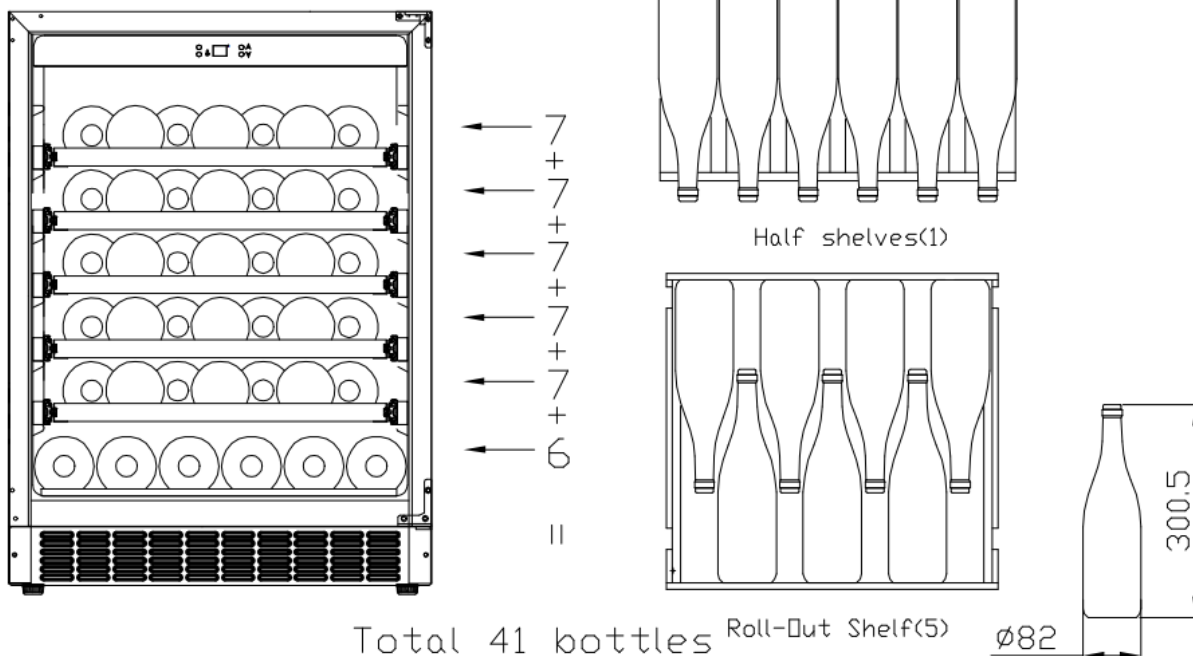
➤ **LOADING**

The maximum number of bottles that can be loaded into the cabinet are for information only; this information is not contractual; it provides a means for rapidly estimating the size of the device.

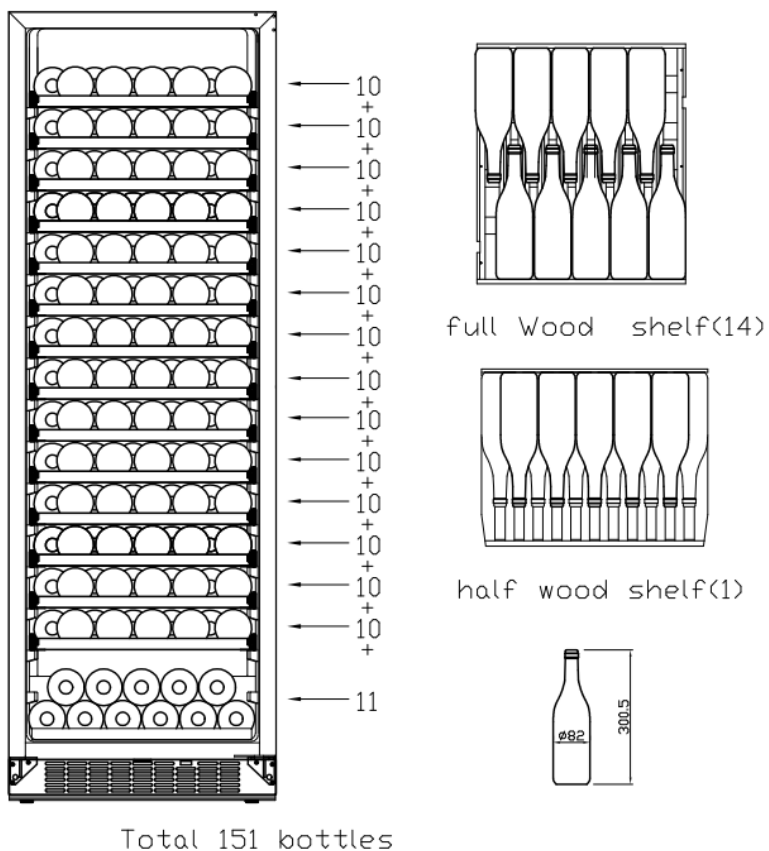
Loading for PN45S



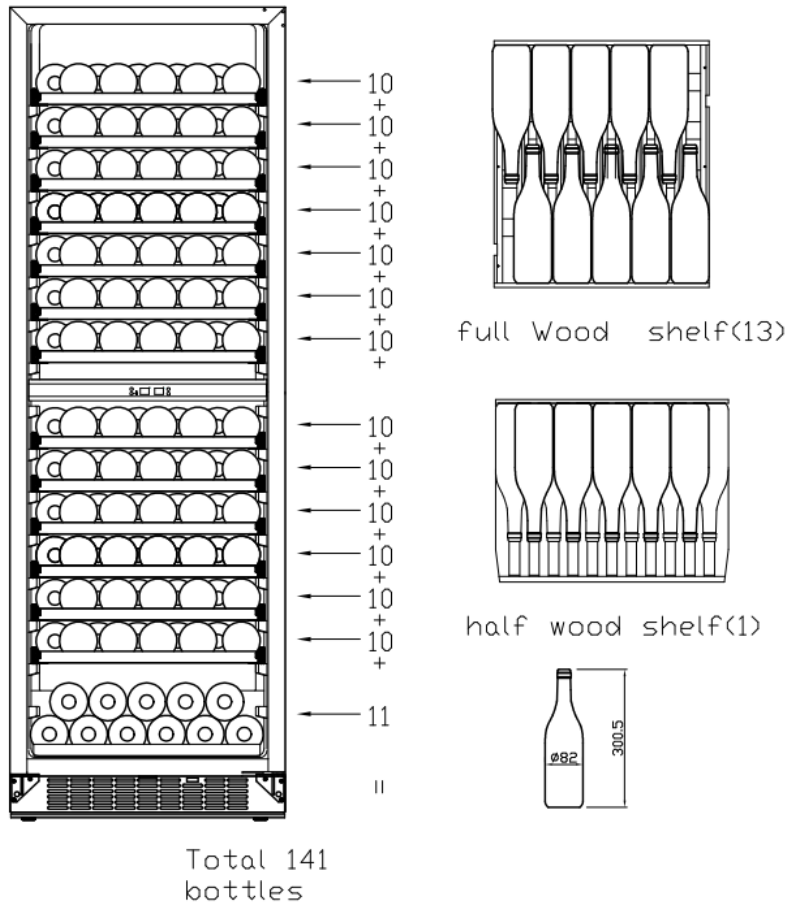
Loading for PN45D



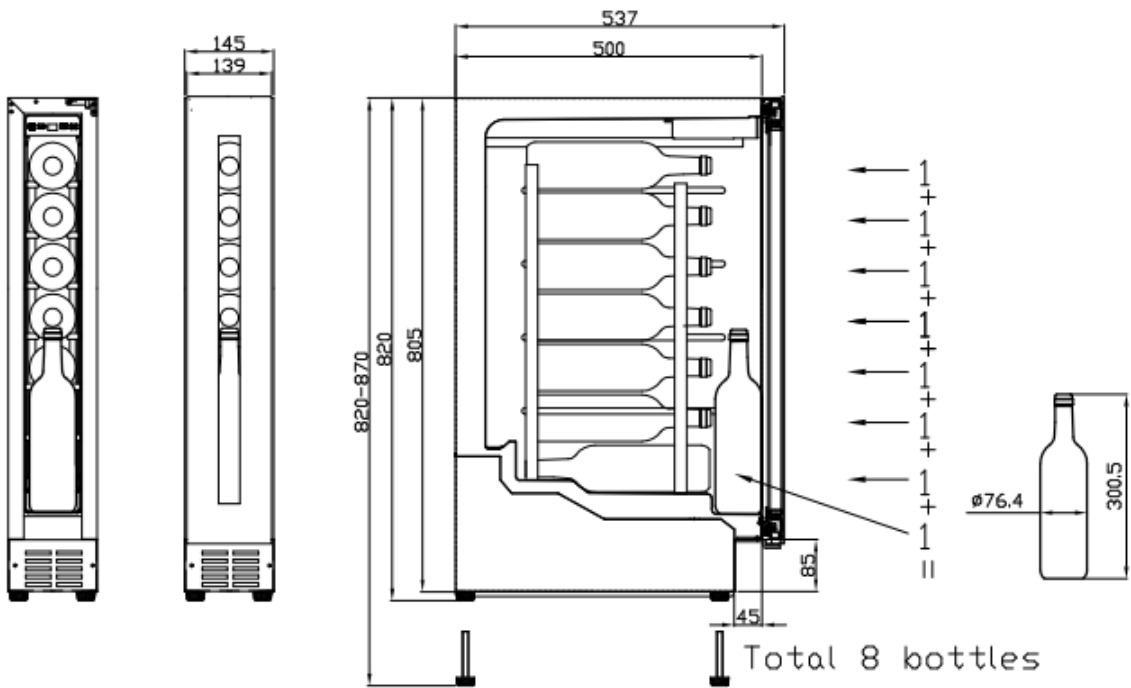
Loading for PN166S



Loading for PN166D

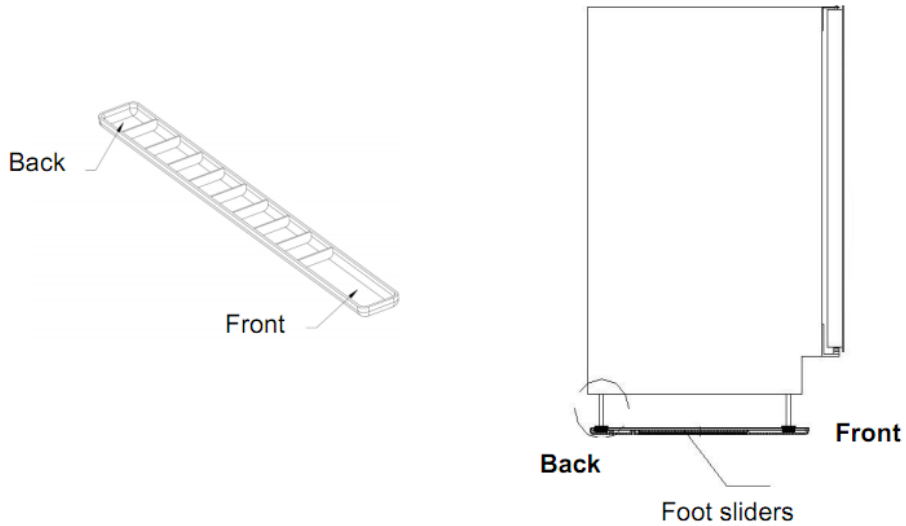


Loading for PN7S



➤ **Foot sliders (For PN45S, PN45D, PN7S)**

Two-foot sliders are provided with your appliance, allowing you to move it easily. The foot sliders have to be installed in parallel under the feet in accordance with the location for the front and for the back.



➤ **INSTALLING THE TOP FIXING BRACKET (for PN7S)**

After installing the wine cabinet, please open the door, adjust the fixing bracket (a) and fix this in position with three screws (c) using a screwdriver (d) into the work surface (b).

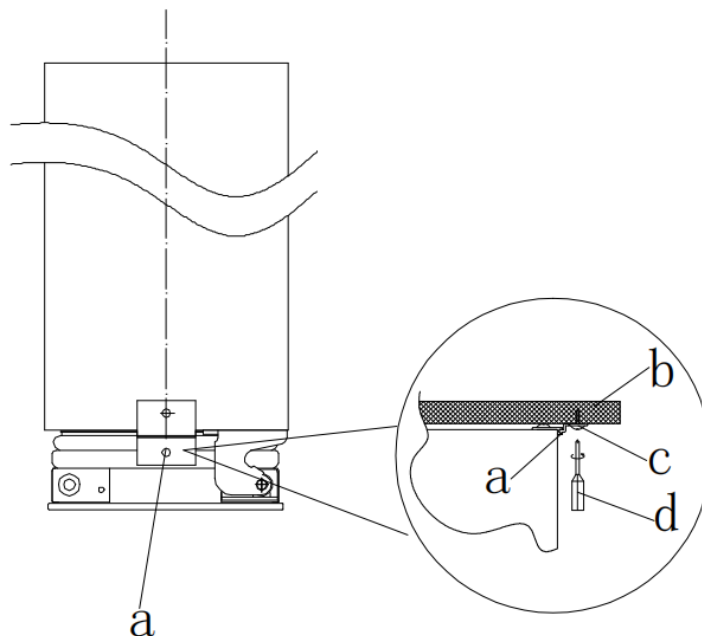
a: Top fixing bracket

b: Work surface

c: Screw

d: Screwdriver

This bracket will keep the product secure and help prevent it moving when in use

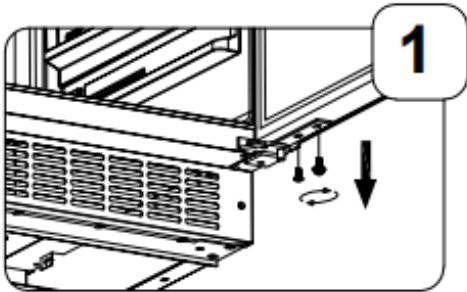


Reversing the Door Swing

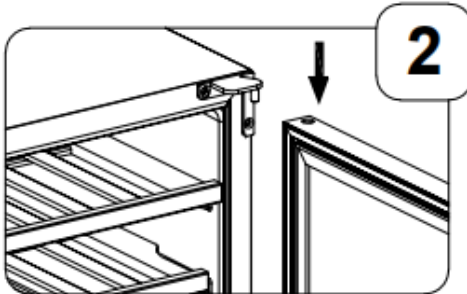
To Reverse the Door from Right Swing to Left Swing

For PN45S, PN45D

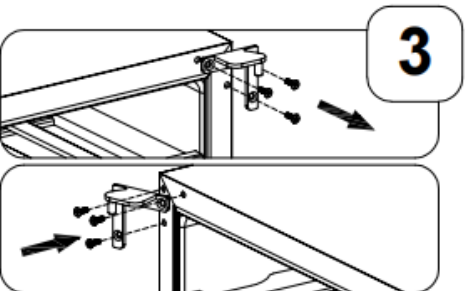
1. Open the door and using a screwdriver, remove the bottom screws from the right lower hinge.



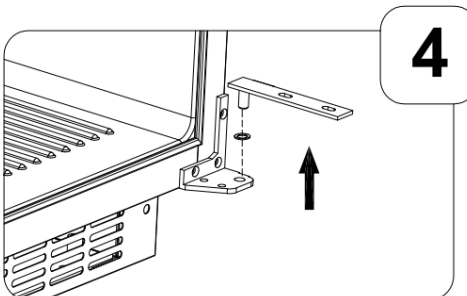
2. Carefully slide the bottom of the door and down and place it on a padded surface to prevent damaging it.



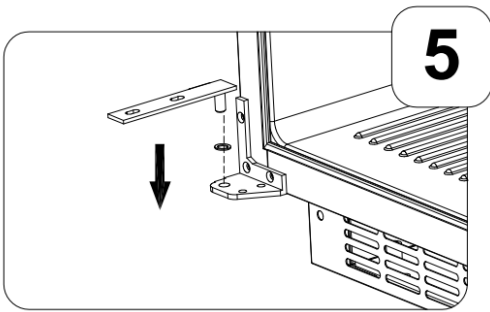
3. Remove the screws and hinge from the upper right hinge. Remove the plastic caps from the upper left hinge corner. Install the new upper left hinge that from the hardware package that includes the installation manual, fastening the screws through the left hinge to the cabinet. Insert the plastic caps to the upper right corner.



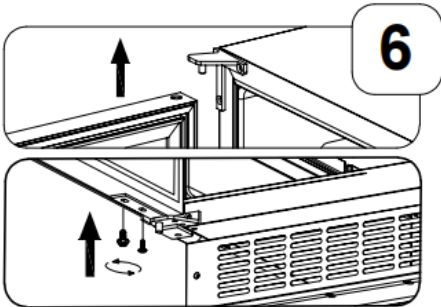
4. Remove the lower hinge and washer from the right lower bracket.



5. Install the new lower left hinge and washer in the hardware package containing the installation manual to the bottom bracket.

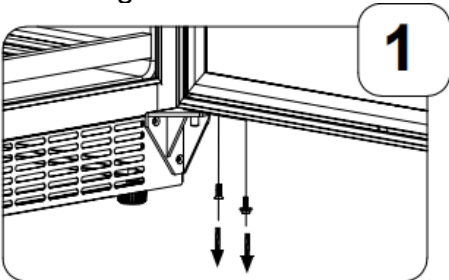


6. Carefully insert the door into the upper right corner hinge, then slide the door on button of the lower hinge and secure the door by installing the lower screws.

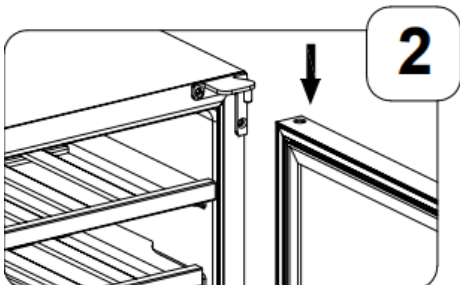


For PN166S, PN166D

1. Open the door and using a screwdriver, remove the bottom screws from the right lower hinge.

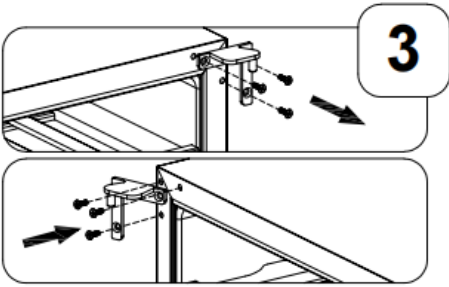


2. Carefully slide the bottom of the door and down and place it on a padded surface to prevent damaging it.

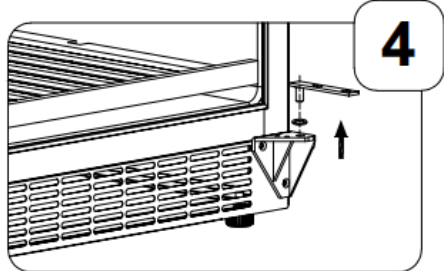


3. Remove the screws and hinge from the upper right hinge. Remove the plastic caps from the upper left hinge corner.

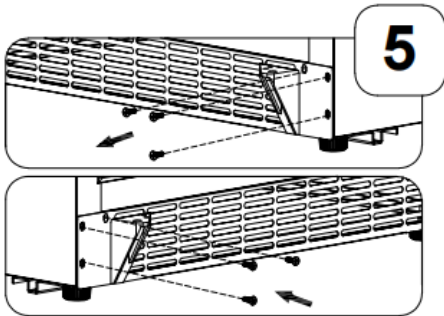
Install the new upper left hinge that from the hardware package that includes the installation manual, fastening the screws through the left hinge to the cabinet. Insert the plastic caps to the upper right corner.



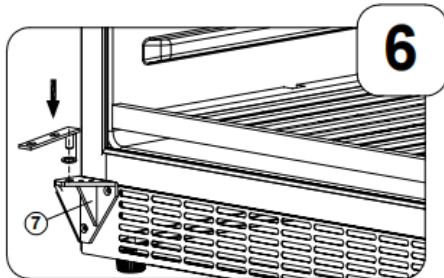
4. Remove the lower hinge and washer from the bottom right support bracket.



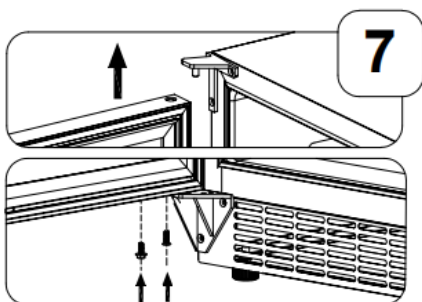
5. Remove the right lower hinge and screws. remove the screws from the lower left corner and install them to right. Install the new lower left hinge that from the hardware package that includes the installation manual by fastening the screws to the cabinet.



6. Install the washer, and new left lower hinge that from the hardware package that includes the installation manual on the bottom support bracket.

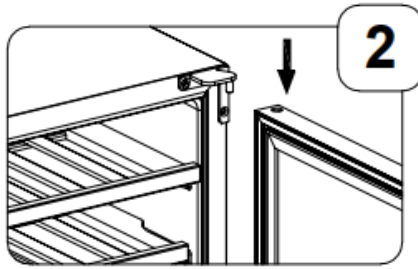
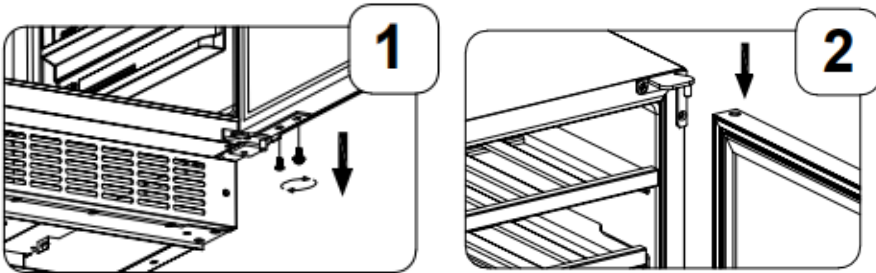


7. Carefully insert the door into the upper right corner hinge, then slide the door on button of the lower hinge and secure the door by installing the lower screws.

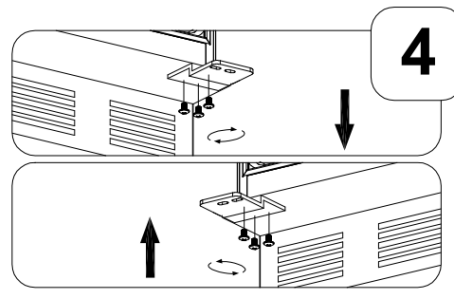
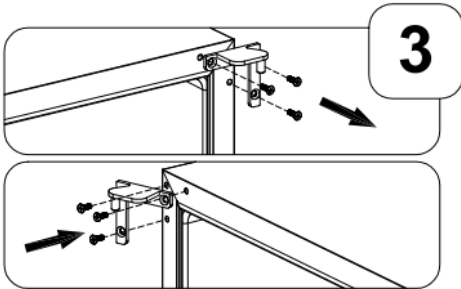


For PN7S

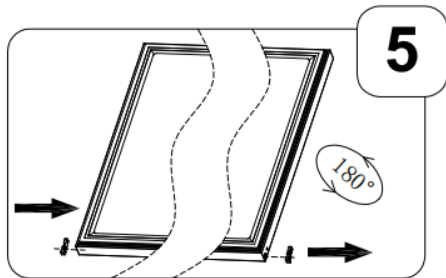
1. Open the door and using a screwdriver, remove the bottom screws from the right lower hinge.
2. Carefully slide the bottom of the door and down and place it on a padded surface to prevent damaging it.



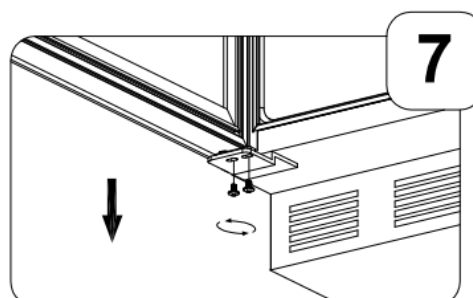
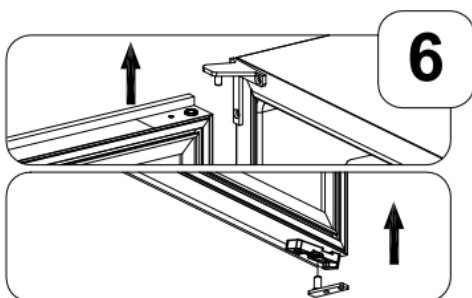
3. Remove the screws and hinge from the upper right hinge. Remove the plastic caps from the upper left hinge corner. Install the new upper left hinge that from the hardware package that includes the installation manual, Insert the plastic caps to the upper right corner.
4. Remove the screws and hinge from the lower right hinge. Install the new lower left hinge that from the hardware package that includes the installation manual.



5. Rotate the door 180 degrees, remove the door stopper and install it on the opposite side of the door frame.

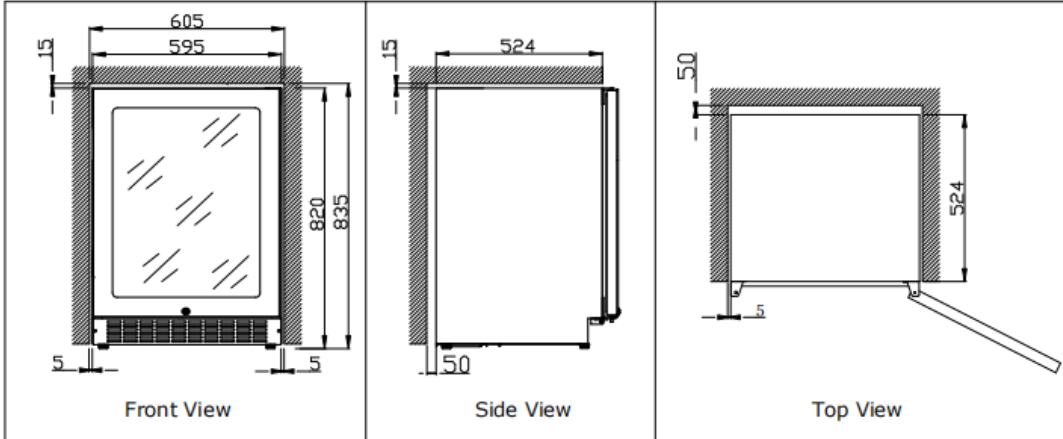


6. Carefully insert the door into the upper right corner hinge, then slide the door on button of the lower hinge and secure the door by installing the lower screws.

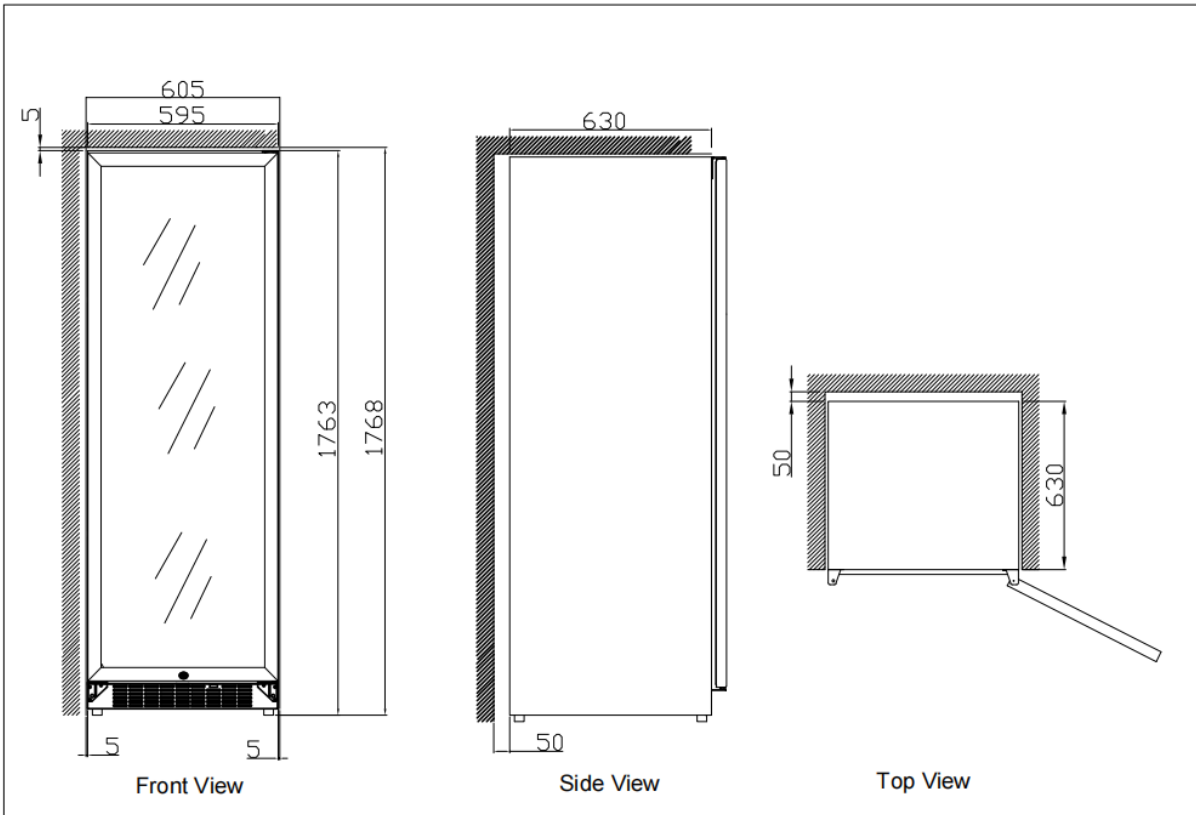


➤ Installation specifications for built-in purposes

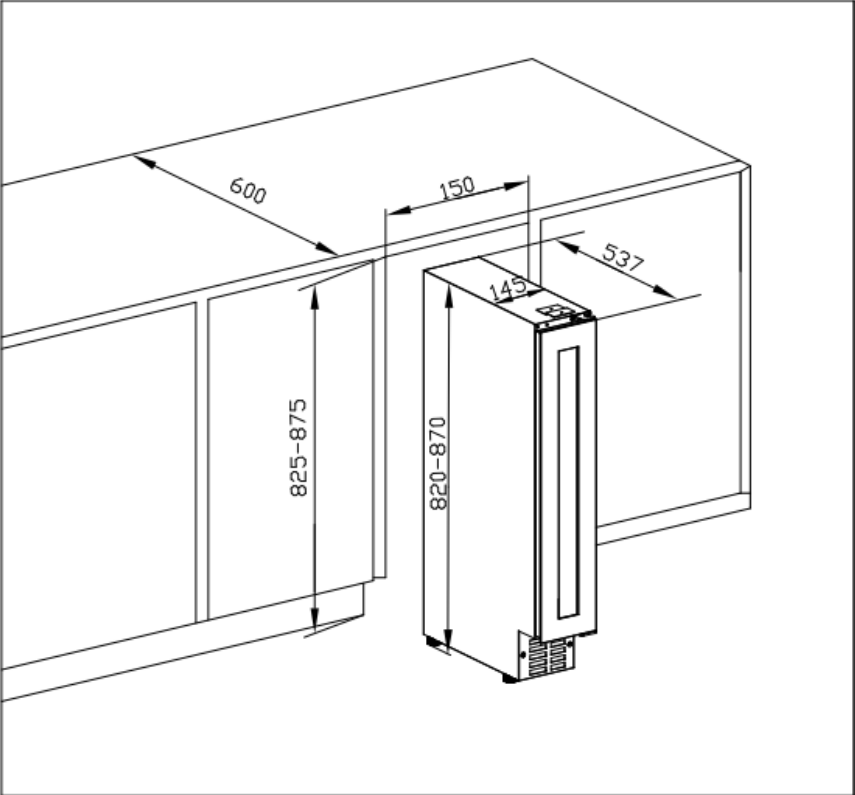
PN45S, PN45D



PN166S, PN166D



PN7S (This wine cellar has been designed for built-under installation.)



➤ **Recommended temperature SETTINGS**

For keeping ALL TYPES OF WINES	12 °c to 14 °c
Champagne NV, Sparkling	6 °c
Champagne Vintage	10 °c
Dry White Semillon, Sauvignon Blanc	8 °c
Dry White Gewurstraminer, Riesling	10 °c
Dry White Chardonnay	10 °c
Vintage chardonnay	14 °c
Sweet White Sauternes Monbazillac, Late Harvest ice wine	10 °c
Sweet whites vintage Sauternes	14 °c
Beaujolais	13 °c
Red Pinot Noir	16 °c
Vintage Pinot noir red	20 °c
Red Cabernet, Merlot, French, Australian, New Zealand, Chilean, Argentinean, Italian, Spanish, Californian	20 °c
Red Grenache, Syrah	16 °c

CARE AND MAINTENANCE

➤ CLEAN YOUR WINE COOLER

- Turn off the power, unplug the appliance, and remove all items including shelves and rack.
- Wash the inside surfaces with a warm water and mild solution.
- Wash the shelves with a mild detergent solution.
- Wring excess water out of the sponge or cloth when cleaning area of the controls, or any electrical parts.
- Wash the outside cabinet with warm water and mild liquid detergent. Rinse well and wipe dry with a clean, soft cloth.

➤ POWER FAILURE

- Most power failures are corrected within a few hours and should not affect the temperature of your appliance if you minimize the number of times the door is opened. If the power is going to be off for a long period of time, you need to take the proper steps to protect your contents.

➤ VACATION TIME

- **Short vacations:** Leave the Wine cooler operating during vacations of less than three weeks.
- If the appliance will not be used for several months, remove all items, and turn off the appliance. Clean and dry the interior thoroughly. To prevent odor and mold growth, leave the door open slightly: blocking it open if necessary.

➤ MOVE YOUR WINE COOLER

- Remove all items.
- Take out the loose items inside the wine cooler (such as shelf) or fix the loose items with the foam.
- Turn the adjustable leg up to the base to avoid damage.
- Tape the door shut.
- Be sure the appliance stays secure in the upright position during transportation. Also protect outside of appliance with a blanket or similar items.

➤ ENERGY SAVING TIPS

- The Wine cooler should be located in the coolest area of the room, away from producing appliances, and out of the direct sunlight.

ALL THE APPLIANCES ARE DESIGNED WITH LED LIGHTS, IF LED LIGHT DAMAGE, PLEASE CONTACT WITH AFTER-SALE SERVICE TO REPLACE IT.

PROBLEMS WITH YOUR WINE COOLER?

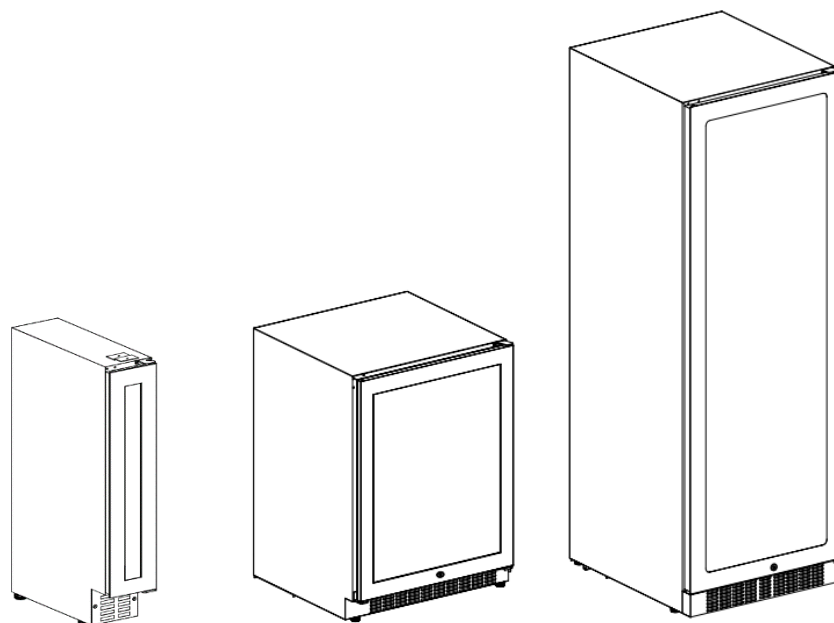
You can solve many common Wine cooler problems easily, saving you the cost of a possible service call. Try the suggestions below to see if you can solve the problem before calling the Service Centre.

TROUBLESHOOTING GUIDE

PROBLEM	POSSIBLE CAUSE
Wine cooler does not operate.	Not plugged in. The appliance is turned off. The circuit breaker tripped or a blown fuse.
Wine cooler is not cold enough.	Check the temperature control setting. External environment may require a higher setting. The door is open too often. The door is not closed completely. The door gasket does not seal properly.
Turns on and off frequently.	The room temperature is hotter than normal. A large amount of contents has been added to the Wine cooler. The door is open too often. The door is not closed completely. The temperature control is not set correctly. The door gasket does not seal properly.
The light does not work.	Not plugged in. The circuit breaker tripped or a blown fuse. The bulb has burned out. The light button is "OFF".
Vibrations.	Check to assure that the Wine cooler is level.
The Wine cooler seems to make too much noise.	The rattling noise may come from the flow of the refrigerant, which is normal. As each cycle ends, you may hear gurgling sounds caused by the flow of refrigerant in your Wine cooler. Contraction and expansion of the inside walls may cause popping and crackling noises. The Wine cooler is not level.
The door will not close properly.	The Wine cooler is not level. The door was reversed and not properly installed. The gasket is dirty. The shelves are out of position.
Condensation forms on the door.	Condensation will form on the door due to high humidity in the area. Install the appliance with sufficient ventilation in a dry and/ or air-conditioned room
Water condensation may form on the glass door.	Condensation will form on the door due to high humidity in the area. Install the appliance with sufficient ventilation in a dry and/ or air-conditioned room

Vinkøleskab

Brugsanvisning



PN7S

PN45S

PN45D

PN166S

PN166D

(Dansk s. 22, Deutsch s. 43)
www.pevino.com

**VENLIGST LÆS OG FØLG ALLE SIKKERHEDSREGLER OG
BETJENINGSINSTRUKTIONER FØR BRUG**

ADVARSEL!

- For at forhindre beskadigelse af dørpakningen skal du sørge for at åbne døren helt når du trækker hylderne ud.
 - Apparatet skal placeres så stikket er tilgængeligt. Hold ledningen fri. Flyt kabinettet til dets endelige placering.
 - Flyt ikke kabinettet mens det er fyldt med vin. Dette kan gøre kabinettet skævt. Vinkøleskabet skal installeres et passende sted for at sikre man ikke kan røre kompressoren med hånden.
 - Apparatet skal placeres så stikket er tilgængeligt. Hold ledningen fri.
 - Dette apparat er ikke beregnet til at blive anvendt af personer (herunder børn) med reduceret fysisk, sensorisk eller mental kapacitet eller mangel på erfaring og viden, medmindre de holdes under opsyn eller har fået instruktion i brug af apparatet af en ansvarlig person
 - Børn skal være under opsyn for at sikre, at de ikke leger med apparatet
 - Hvis forsyningsledningen er beskadiget, skal den udskiftes af producenten, dens servicetekniker eller en lignende kvalificeret person for at undgå fare.
 - Dette apparat kan benyttes af børn fra 8 år og op og personer med nedsatte fysiske, sensoriske eller mental kapacitet eller mangel på erfaring og viden, hvis der er tilsyn eller de ikke leger med apparatet. Rengøring og vedligeholdelse må ikke foretages af børn uden opsyn.
- ADVARSEL: Hold ventilationsåbningerne i apparatets kabinet eller i den indbyggede konstruktion fri for obstruktion.
- ADVARSEL: Brug ikke mekaniske eller andre midler til at fremskynde afrimningsprocessen, bortset fra dem, der anbefales af producenten
- ADVARSEL: Kølemiddelkredsløbet må ikke beskadiges.
- ADVARSEL: Brug ikke elektriske apparater i apparatets opbevaringsrum, medmindre de er af den type, som producenten anbefaler.
- Dette køleudstyr er ikke egnet til nedfrysning af fødevarer.
- Opbevar ikke eksplosive stoffer såsom aerosoldåser med et brændbart drivmiddel i dette apparat.
- Dette apparat er beregnet til brug i husholdningen og lignende steder som f.eks.
- Personale køkkenområder i butikker, kontorer og andre arbejdsmiljøer;
 - Feriegårde og af besøgende på hoteller, moteller og andre typer af beboelsesområder;
 - bed and breakfast miljøer;
 - Kantiner, restauranter og lignende miljøer.
- ADVARSEL: For at undgå fare på grund af ustabilitet i apparatet skal det fastgøres i overensstemmelse med instruktionerne.
- Børn i alderen 3-8 år har lov til at fylde og tømme vinkøleskabet.
- Følg venligst følgende instruktioner for at undgå at skade vinen:
- Hold ikke døren åben for længe dette kan medføre markant stigning i temperaturen i vinkøleskabet.
 - Overflader som kan komme i kontakt med flasker og det tilgængelige afløbssystem bør rengøres regelmæssigt.
 - Rengør vandtanken hvis den ikke har været benyttet i 48 timer; Lad vandet løbe lidt, hvis det ikke har været benyttet de sidste 5 dage.
 - Hvis vinkøleskabet står tomt i en længere periode, bør du slukke, afrime, rengøre og tørre vinkøleskabet af indvendigt. Herefter bør du lade døren til apparatet stå åbent for at forhindre at der dannes skimmelsvamp i apparatet.
- FORSØG IKKE AT TILSLUTTE ET NYT ELLER FORLÆNGE DET NUVÆRENDE KABEL PÅ APPARATET.**

VIGTIGE SIKKERHEDSINSTRUKSER

⚡ADVARSEL⚡

Følge disse grundlæggende forholdsregler for at reducere risikoen for brand, elektrisk stød eller personskade, når du benytter apparatet:

- Læs alle instruktionerne før du benytter vinkøleskabet.
- FARE eller ADVARSEL: Risiko for at børn kan blive fastklemmt.
- Børn kan blive fastklemmt og kvalt. Dette kan ske selvom apparatet ikke længere er i brug. Apparatet kan stadig være farligt selvom det ikke benyttes længere.
- Før du smider dit gamle vinkøleskab ud: Tag døren af. Lad hylderne blive i skabet så børn ikke så nemt kan kravle ind i skabet.
- Lad aldrig børn betjene, lege eller kravle inde i apparatet.
- Rengør aldrig apparatets dele med brændbare væsker. Dampene kan skabe brandfare eller eksplosion.
- Opbevar og benyt aldrig benzin eller andre brandbare dampe eller væsker i nærheden af dette eller andre apparater. Dampene kan skabe brandfare eller eksplosion. Opbevar ikke eksplosive stoffer såsom aerosoldåser med et brændbart drivmiddel i dette apparat
- Hvis kølemidlet til disse apparater er R600a, bør der ikke anbringes brandfarlige og eksplosive genstande i eller i nærheden af kabinettet for at undgå brand eller eksplosion.



-Gem disse instruktioner-

INSTALLATIONS INSTRUKTIONER

➤ Før du burger dit vinkøleskab

- Fjern udvendig og indvendig emballage.
- Før du tilslutter vinkøleskabet til en strømkilde, skal du lade det stå lodret i ca. 2 timer. Dette reducerer muligheden for en funktionsfejl i kølesystemet efter transport.
- Rengør de indvendige overflade med lunkent vand og en blød klud.
- Dette apparat er beregnet til brug i husholdningen og lignende steder som f.eks.
 - Personale køkkenområder I butikker, kontorer og andre arbejdsmiljøer;
 - Feriegårde og af besøgende på hoteller, moteller og andre typer af beboelsesområder; bed and breakfast miljøer;
 - Kantiner, restauranter og lignende miljøer.
- Når du ønsker at bortskaffe apparatet, skal du benytte et autoriseret bortskaffelsessted.

➤ Installation af dit vinkøleskab

- Dette vinkøleskab er designet til at være fritstående eller indbygget. (Check klistermærket på bagsiden af vinkøleskabet. PN7 er kun egnet til indbygning.
- **Dette apparat er udelukkende beregnet til opbevaring af vin.**
- Placer dit vinkøleskab på et gulv eller overflade, der er stærkt nok til at bære det, når det er fuldt læsset. Sørg for at vinkøleskabet står helt i vater, ved at justere benene under bunden.
- Dette apparat bruger brændbart kølemiddel. Sørg for aldrig at skade kølerørene under transport. Placer vinkøleskabet væk fra direkte sollys og varmekilder (komfur, varmelegeme, radiator osv.) Direkte sollys kan påvirke akrylbelægningen og varmekilder kan øge strømforbruget. Ekstremt kolde omgivelsestemperaturer kan også medføre at enheden ikke fungerer korrekt.
- Undgå at placere enheden i et fugtigt område.
- Tilslut vinkøleskabet til en stikkontakt med jordforbindelse. Klip eller fjern ikke det tredje ben (jorden). Ethvert spørgsmål angående el bør rettes til en autoriseret elinstallatør.
- Følgende reservedele vil være tilgængelige i 7 år efter sidste skab er markedsført: Dørhåndtag, dør hængsler, bakker og kurve. Dørpakning vil være tilgængeligt i 10 år efter.
- Termostater, temperatursensorer, printkort og lyskilder vil være tilgængelige i mindst syv år efter den sidste model er markedsført.

➤ Vær opmærksom på følgende

- Opbevar vinen i lukkede flasker.
- Overbelast ikke skabet.
- Åbn ikke døren, medmindre det er nødvendigt.
- Tildæk ikke hylderne med aluminiumsfolie eller andre hylde materialer, som kan forhindre luftcirkulation;
- Skulle vinkøleskabet stå ubrugt i længere perioder, foreslås det, efter en grundig rengøring at lade døren stå på klem for at lade luften cirkulere indeni skabet for at undgå mulige dannelser af dug, mug eller lugt.

➤ Grænser for rumtemperatur

Dette apparat er designet til at fungere i omgivelsestemperaturer som er specificeret ud fra temperaturklassen.

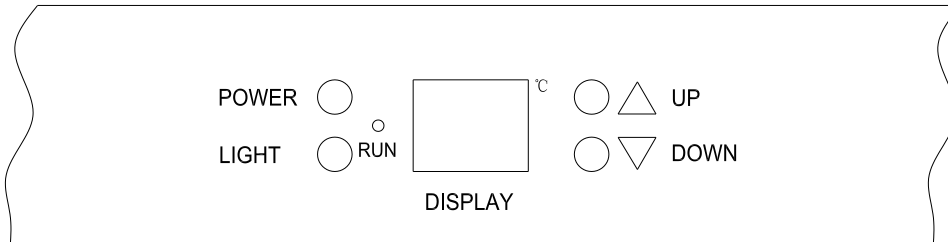
Klasse	Symbol	Rumtemperaturs intervaller (°C)
Sub-normal	SN	+ 10 til + 32
Normal	N	+ 16 til + 32
Subtropisk	ST	+ 16 til + 38
Tropisk	T	+ 16 til + 43

BETJENING AF DIT VINKØLESKAB

Vinkøleskabet skal placeres i en rumtemperatur som er under 35°C. Hvis rumtemperaturen er over dette, kan apparatets ydeevne blive påvirket og dette kan medføre at den indvendige temperatur stiger og den indstillede temperatur ikke kan nås.

➤ Betjening af dit vinkøleskab

TIL PN45S/PN166S



Temperaturen kan indstilles mellem 5°C to 18°C.

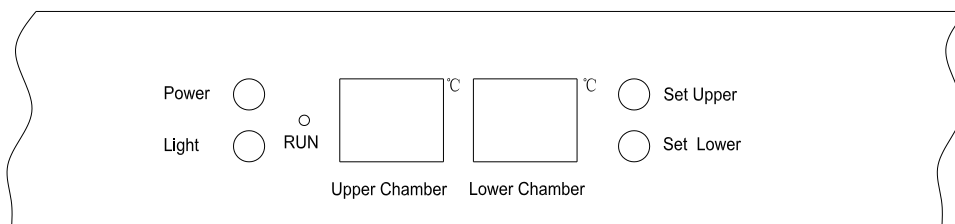
- **LYS**
Styrer om det indvendige lys er slået til eller fra.
- **RUN**
Når denne knap er tændt, kører kølesystemet.
- **POWER**
Bruges til at tænde og slukke apparatet. (Hold knappen nede i cirka 3 sekunder for at tænde eller slukke vinkøleskabet.)
- **“UP” Knap**
Ved et tryk på knappen “UP” vil temperaturen stige med 1 °C i vinkøleskabet.
- **“DOWN” Knap**
Ved et tryk på knappen “DOWN” vil temperaturen falde med 1 °C i vinkøleskabet.
- **“DISPLAY”**
Her vises den indstillede temperatur i vinkøleskabet.

Note:

Tryk på "UP" eller "DOWN" knappen i 3 sekunder. Herefter vil den aktuelle temperatur i skabet blive vist på displayet. Ved et klik på hvilken som helst knap vil den gå tilbage til den indstillede temperatur.

- Tryk “Set Upper” og “Set Lower” knapperne i 3 sekunder for at skifte mellem Celsius og Fahrenheit.

TIL PN45D/PN166D



Øverste zone: Temperaturen kan indstilles mellem 5°C to 18°C.

Nederste zone: Temperaturen kan indstilles mellem 5°C to 18°C.

- **Lys**
Styrer om det indvendige lys er slået til eller fra.
- **RUN**
Når denne knap er tændt, kører kølesystemet.
- **Power**
Bruges til at tænde og slukke apparatet. (Hold knappen nede i cirka 3 sekunder for at tænde eller slukke vinkøleskabet.)
- **“Set Upper” Knap**
Benyttes til at indstille temperaturen i den øverste zone.
- **“Set Lower” Knap**
Benyttes til at indstille temperaturen i den nederste zone.
- **“Upper Chamber”**
Her vises den indstillede temperatur i den øverste zone.
- **“Lower Chamber”**
Her vises den indstillede temperatur i den nederste zone.

Note: Tryk på “Set Upper” eller “Set Lower” knappen i 3 sekunder, herefter vil den aktuelle temperatur i zonen blive vist i displayet for den enkelte zone. Ved et klik på hvilken som helst knap vil den gå tilbage til den indstillede temperatur.

➤ Indvendig belysning (For PN45S/PN45D/PN166S/PN166D)

Dette vinkøleskabet har både lys i toppen og i siderne, som kan indstilles til 3 forskellige farver: blå, hvidt og gult. Lyset kan tændes i to forskellige tilstande. Automatisk belysning og display belysning.

Automatisk belysning

Lyset vil tænde hver gang døren åbnes og langsomt slukke igen når døren lukkes. For hvert tryk på “light” knappen vil lyset skifte farve.

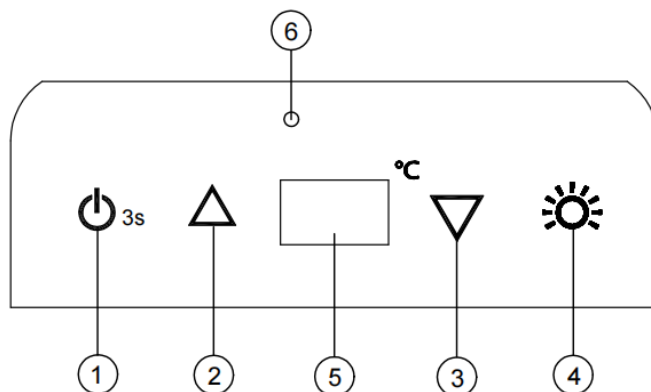
Display belysning

Tryk og hold “light” knappen inde i 3 sekunder for at skifte til display tilstand.

Lyset vil forblive tændt selvom du lukker døren. For hvert tryk på “light” knappen vil lyset skifte farve. Tryk igen på “light” knappen i 3 sekunder og skabet vil igen være indstillet til automatisk belysning.

Lysstyrken har 3 niveauer. Tryk på “light” knappen og “UP/Set Upper” på samme tid i 2 sekunder. På denne måde skrues du op for lysstyrken.

TIL PN7S



Temperaturen kan indstilles mellem 5°C og 18°C.

- ① ”**Power**”: Bruges til at tænde og slukke apparatet. (Hold knappen nede i cirka 3 sekunder for at tænde eller slukke vinkøleskabet.)
- ② ”**UP**”: Ved et tryk på knappen ”UP” vil temperaturen stige med 1 °C i vinkøleskabet.
- ③ ”**DOWN**”: Ved et tryk på knappen ”DOWN” vil temperaturen falde med 1 °C i vinkøleskabet.
- ④ ”**LIGHT** “: Styre om det indvendige lys er slået til eller fra.
For at reducere energiforbruget slukker skabet automatisk lyset efter 10 minutter. Tryk og hold knappen nede i 5 sekunder til displayet viser LP, hvis du ønsker det skal forblive tændt. Hold igen knappen nede i 5 sekunder til displayet viser LF, hvis du ønsker at gå tilbage til den originale indstilling.
- ⑤ ”**DISPLAY**”: Her vises den indstillede temperatur i vinkøleskabet.
- ⑥ ”**RUN**”: Når denne knap er tændt, kører kølesystemet.

Note: Tryk på "UP" eller "DOWN" knappen i 3 sekunder. Herefter vil den aktuelle temperatur i skabet blive vist på displayet. Ved et klik på hvilken som helst knap vil den gå tilbage til den indstillede temperatur.

➤ Indstilling af temperaturen.

Tryk 1 gang på knappen og temperaturen vil stige eller falde med 1 °C. Når minimumsværdien overskrides, springer den automatisk til den højeste justerbare temperatur.

NOTE:

- Hvis apparatet er frakoblet, strømmen går eller slukkes, skal du altid vente 3-5 minutter før du genstarter apparatet. Hvis du forsøger at starte vinkøleskabet før, vil det ikke tænde.
- Når du benytter vinkøleskabet for første gang eller genstarter vinkøleskabet efter det har været slukket i længere tid, kan der være nogle få grader variation i starten. Dette er normalt og skyldes der er lidt aktiveringstid fra at skabet bliver tændt. Det tager normalt et par timer.

➤ **Temperatur hukommelse**

Hvis strømmen pludselig afbrydes, vil den indstillede temperatur blive gemt af enheden. Så snart strømmen er tilbage vil vinskabet genoprettet temperaturen i kabinettet.

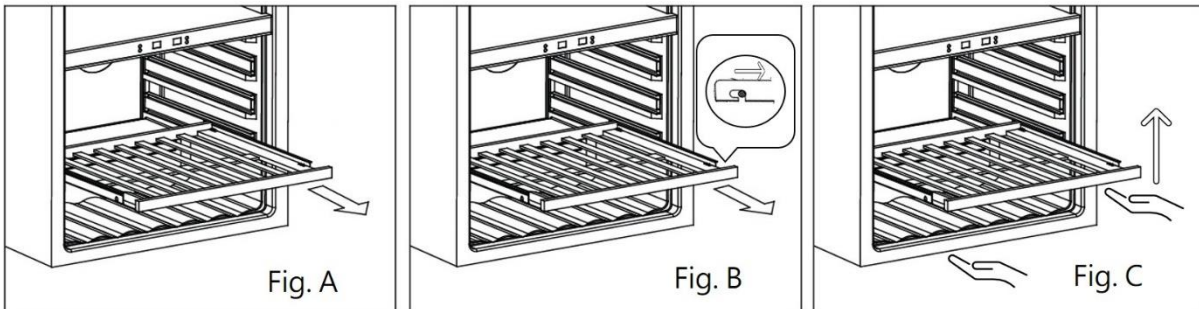
➤ **Temperatur alarm**

Der vil blive vist "HI" hvis den indvendige temperatur i skabet er højere end 23°C (73°F). Derudover vil alarmen også lyde efter en time. Dette indikerer at den indre temperatur er for høj, du bør derfor forsøge at finde årsagen til den høje temperatur. Der vil blive vist "LO" hvis den indvendige temperatur i skabet er lavere end 0°C (32°F). Derudover vil alarmen også lyde efter 15 min.

➤ **Sådan fjernes hylderne**

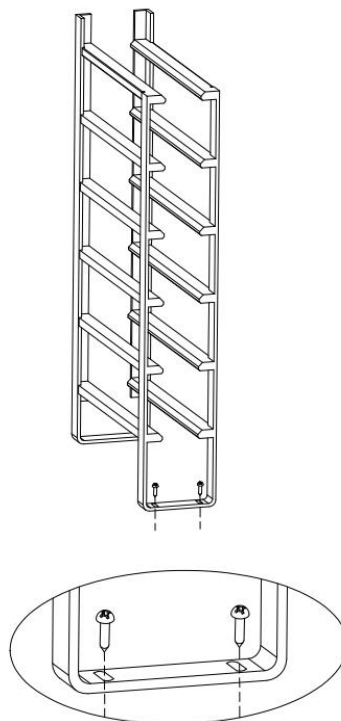
Til PN45S/PN45D/PN166S/PN166D

- For at forhindre beskadigelse af dørpakningen skal du sørge for at have døren helt åben, når du trækker hylderne ud.
- Sådan fjernes hylderne:
 1. Træk den hylde du ønsker at fjerne ud (Fig. A)
 2. Træk hylden mod dig selv indtil klipsen løsnes (Fig. B)
 3. Hold fat i hylden med begge hænder og skub hylden lodret op (Fig. C)



Til PN7S

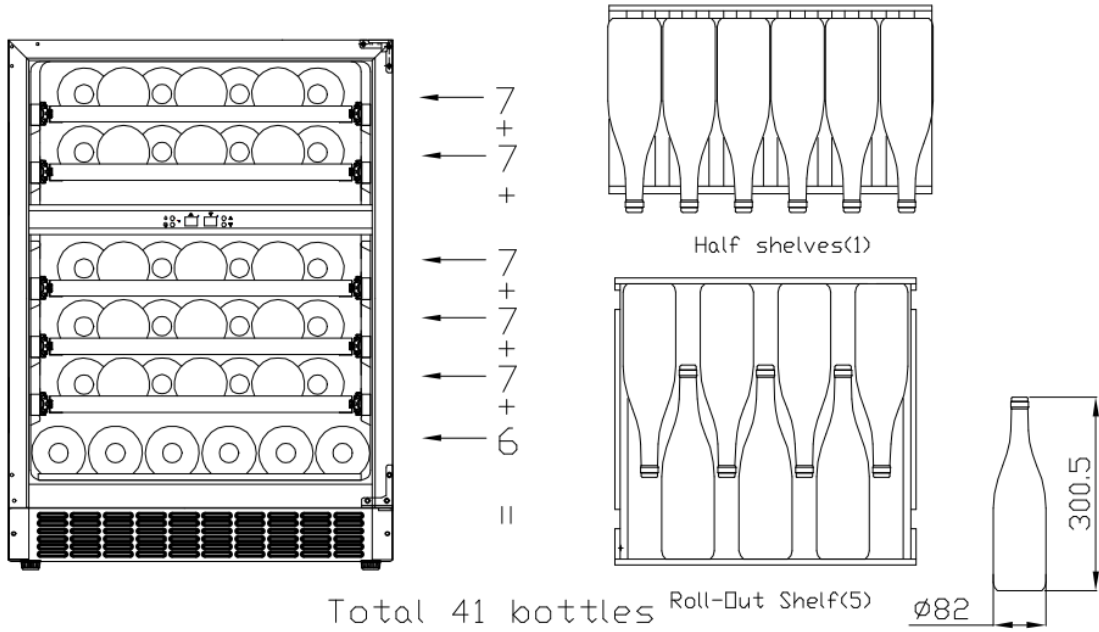
Fjern de to skruer på den integrerede træhylde så den kan trækkes ud.



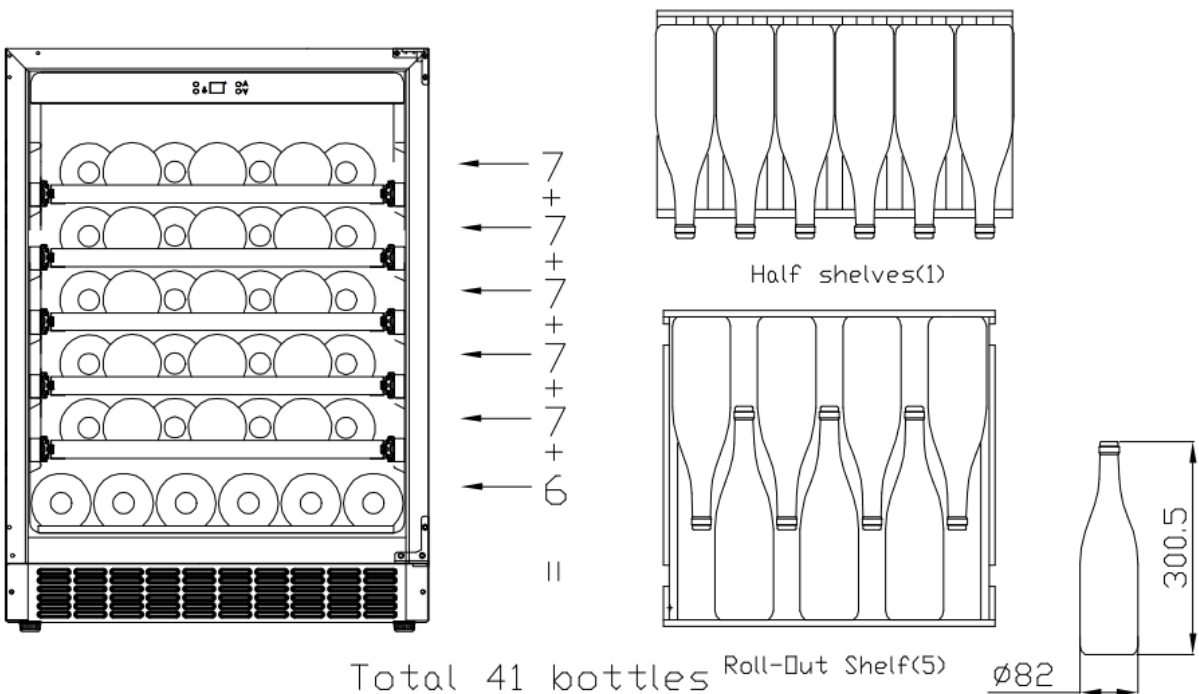
➤ **OPBEVARING**

Det maksimale antal flasker som skabet kan indeholde et blot vejledende. Disse oplysninger er ikke kontraktuelle; det giver blot et estimeret antal af flasker som skabet kan indeholde.

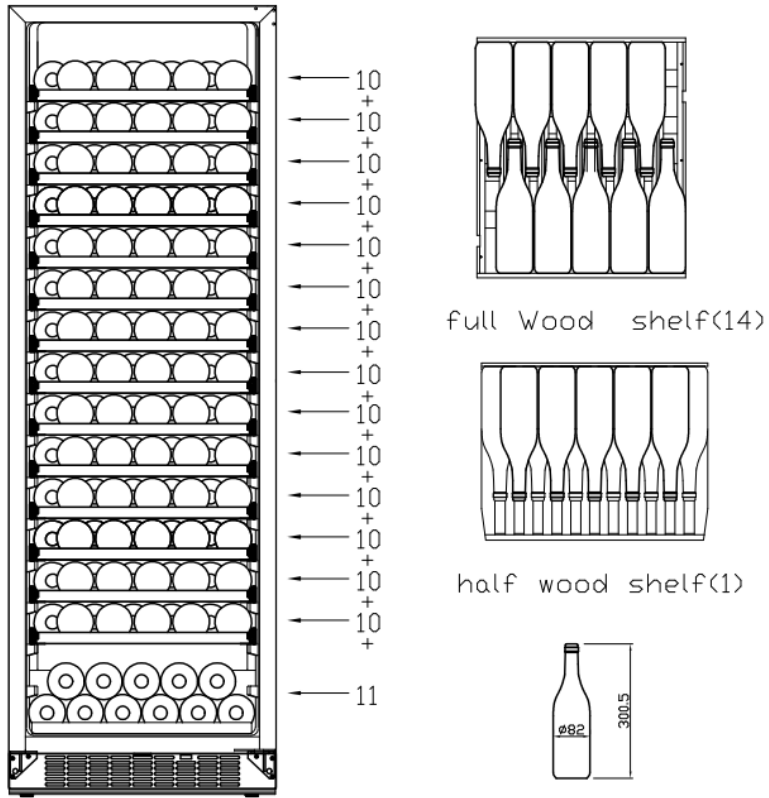
Opbevaring til PN45S



Opbevaring til PN45D

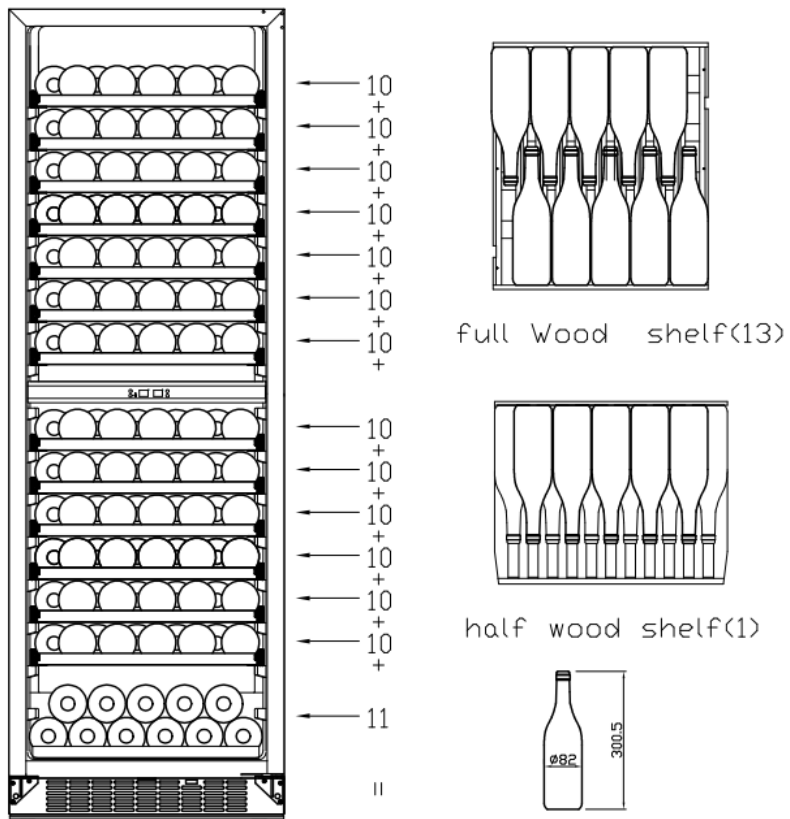


Opbevaring til PN166S



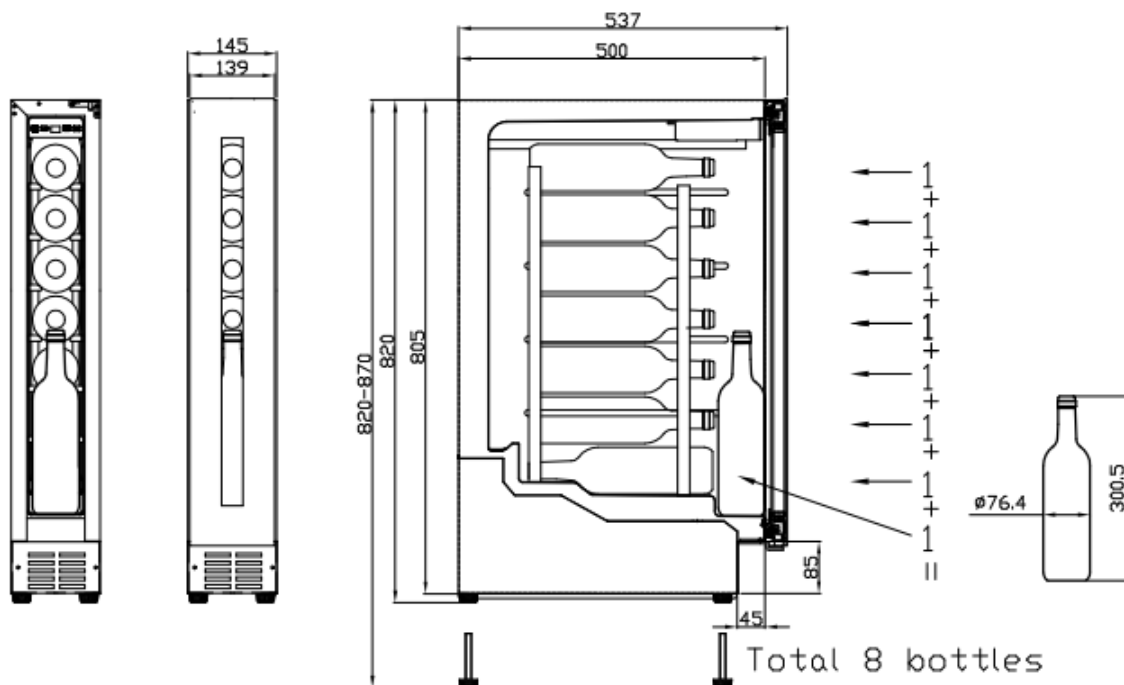
Total 151 bottles

Opbevaring til PN166D



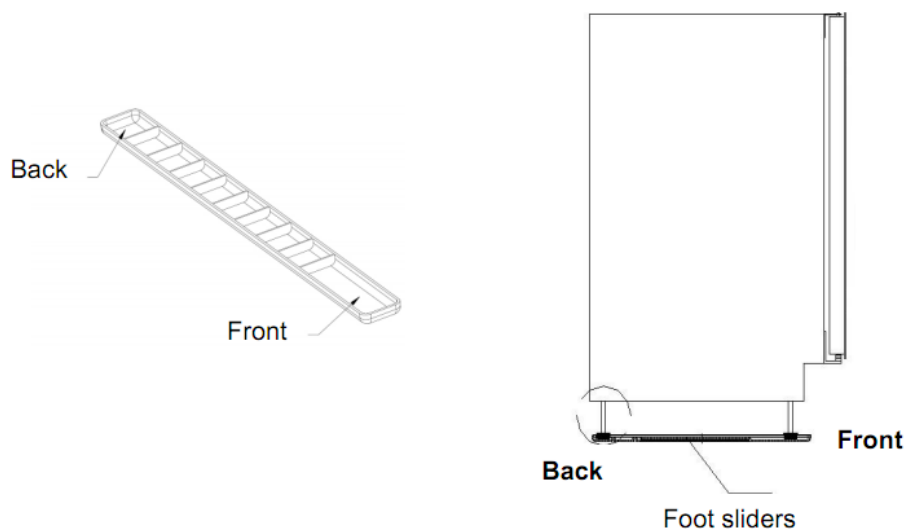
Total 141 bottles

Opbevaring til PN7S



➤ Skinner til vinkøleskabets fødder (til PN45S, PN45D, PN7S)

To skinner til vinkøleskabet fødder leveres med til apparatet, så du let kan flytte det. Skinnerne skal installeres parallel under fødderne i overensstemmelse med placeringen fra fronten til bagsiden.



➤ **Installation af top beslag (til PN7S)**

Efter, montering af vinskabet skal døren åbnes. Herefter justeres fastgørelsesbeslaget (a) ved at skrue de 3 skruer (c) i fladen (b).

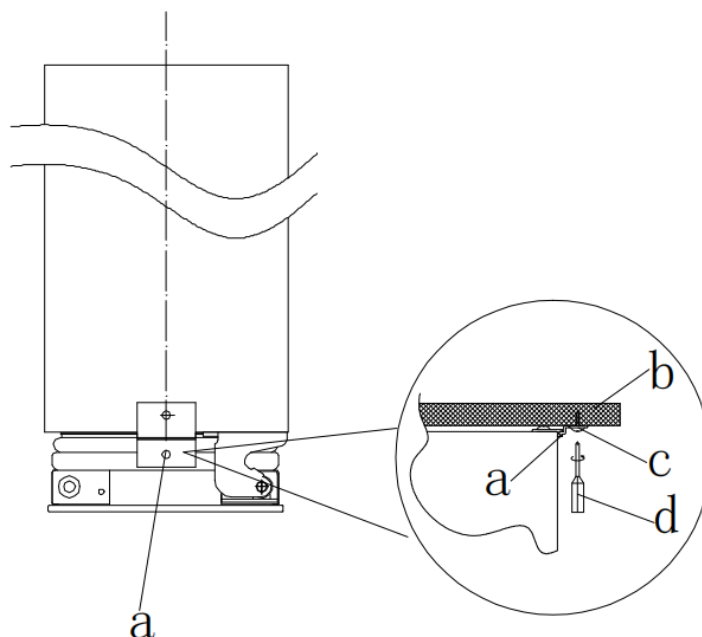
a: Top beslag

b: Arbejdsflade

c: Skruer

d: Skruetrækker

Dette beslag vil sørge for at holde produktet fast og hjælpe med at forhindre, det kan rykke sig når det er i brug.

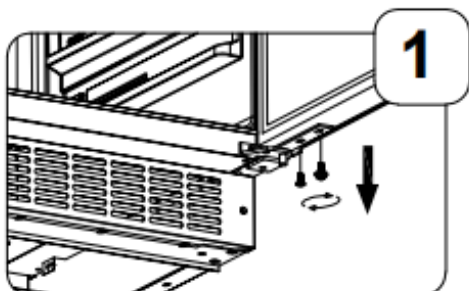


Dørvending

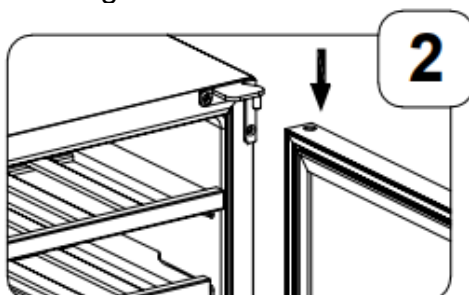
Guide til at vende døren fra højrehængt til venstrehængt.

Til PN45S, PN45D

1. Åbn døren og fjern skruerne fra nederste højre side ved hjælp af en skruetrækker.

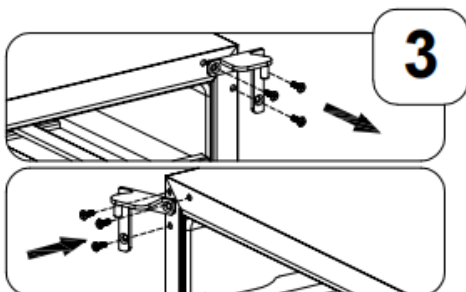


2. Flyt forsigtigt bunden af døren ned og placer den på en polstret overflade for at forhindre beskadigelse af den.

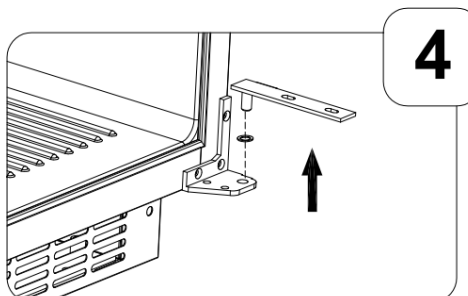


3. Fjern skruerne og hængslet fra det øverste højre hjørne. Fjern plasthætten fra det øverste venstre hængsel.

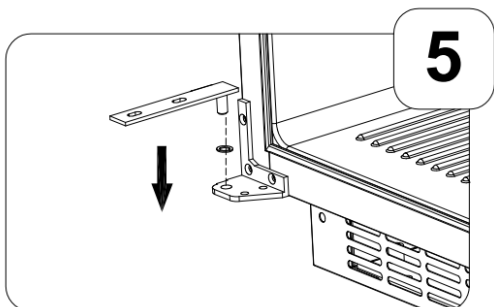
Find det medfølgende hængsel og sæt det på øverste venstre hjørne. Fastgør hængslet til kabinettet ved hjælp af skruerne. Sæt plastikhætten over i højre side.



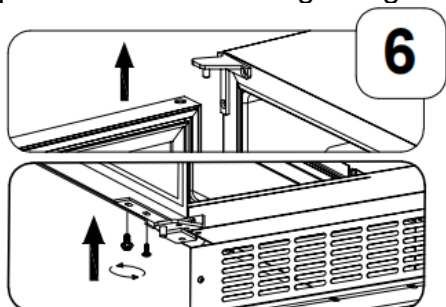
4. Fjern det nederste hængsel og skive fra beslaget nederst i højre side.



5. Sæt det nye venstre hængsel og skiven som følger med i pakken på beslaget nederst til venstre

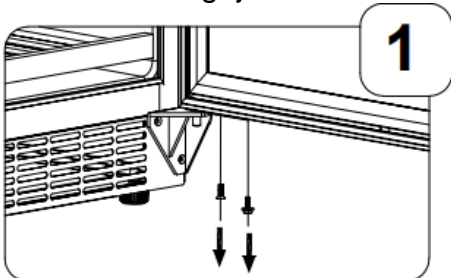


6. Sæt forsigtigt døren ind i det øverste venstre hjørnehængsel og skub derefter døren på plads i nederste hængsel og fastgør døren ved at montere de nederste skruer.

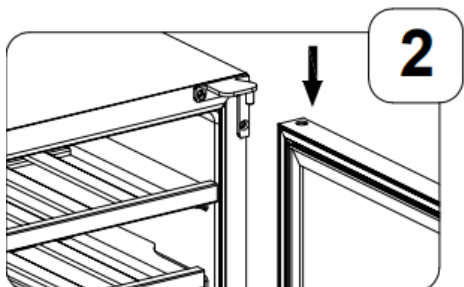


Til PN166S, PN166D

1. Åbn døren og fjern skruerne fra nederste højre side ved hjælp af en skruetrækker.

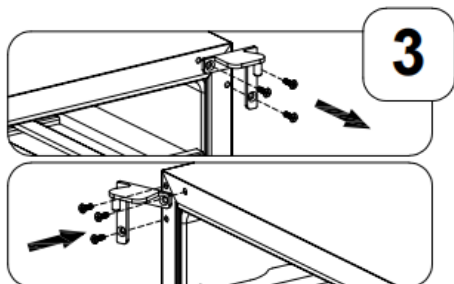


2. Flyt forsigtigt bunden af døren ned og placer den på en polstret overflade for at forhindre beskadigelse af den.

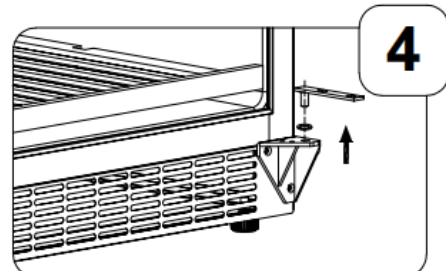


3. Fjern skruerne og hængslet fra det øverste højre hjørne. Fjern plasthætten fra det øverste venstre hængsel.

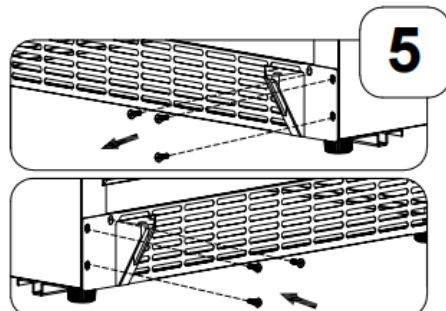
Find det medfølgende hængsel og sæt det på øverste venstre hjørne. Fastgør hængslet til kabinettet ved hjælp af skruerne. Sæt plastikhætten over i højre side



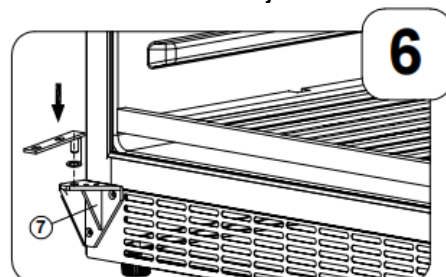
4. Fjern skiven og støtteblokken fra beslaget nederst i højre side.



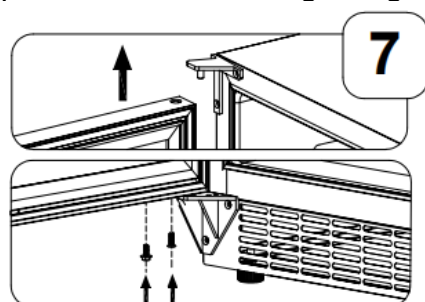
5. Skru beslaget af og sæt det medfølgende beslag over i højre side.



6. Sæt skiven og støtteblokken fra beslaget i højre side over på den medfølgende beslag til nederste venstre hjørne

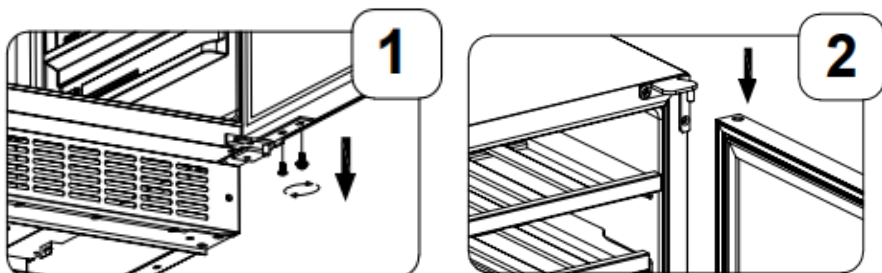


7. Sæt forsigtigt døren ind i det øverste venstre hjørnehængsel og skub derefter døren på plads i nederste hængsel og fastgør døren ved at montere de nederste skruer.



Til PN7S

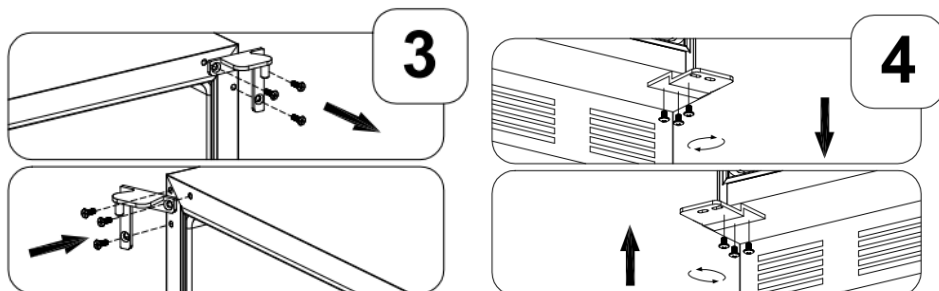
1. Åbn døren og fjern skruerne fra nederste højre side ved hjælp af en skruetrækker.
2. Flyt forsigtigt bunden af døren ned og placer den på en polstret overflade for at forhindre beskadigelse af den.



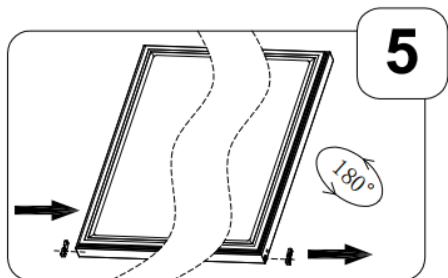
3. Fjern skruerne og hængslet fra det øverste højre hjørne. Fjern plasthætten fra det øverste venstre hængsel.

Find det medfølgende hængsel og sæt det på øverste venstre hjørne. Fastgør hængslet til kabinettet ved hjælp af skruerne. Sæt plastikhætten over i højre side.

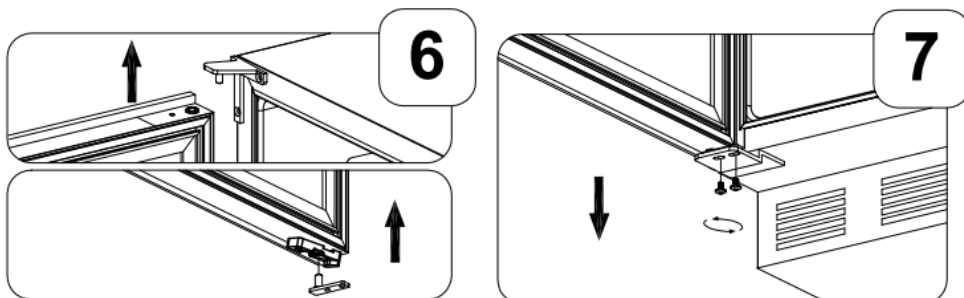
4. Fjern skruer og hængsel fra det nederste højre hjørne. Sæt nu det nye nederste venstre beslag på. Beslaget følger med og ligger inde i skabet.



5. Drej døren 180 grader, fjern dørstopperen og installer døren på den modsatte side af dørrammen.

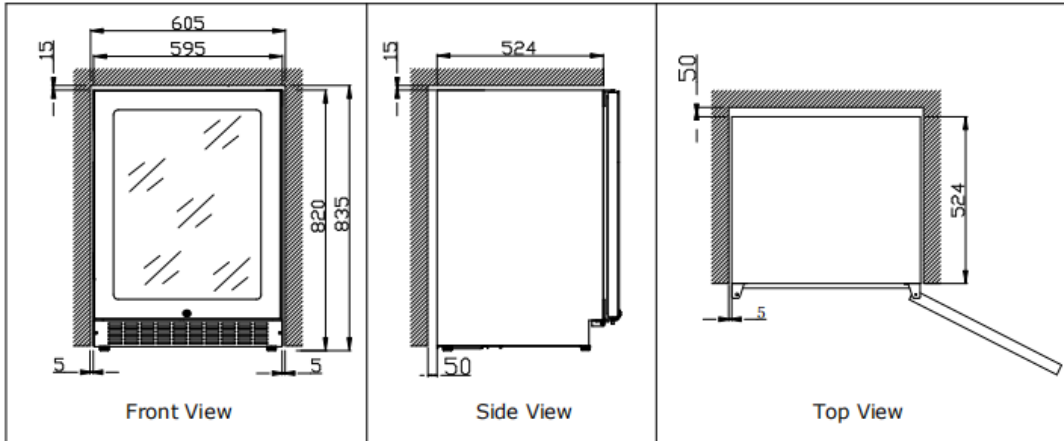


6. Sæt forsigtigt døren ind i det øverste højre hængsel. Skub derefter døren op på den nederste knap på det nederste hængsel og fastgør døren med de nederste skruer.

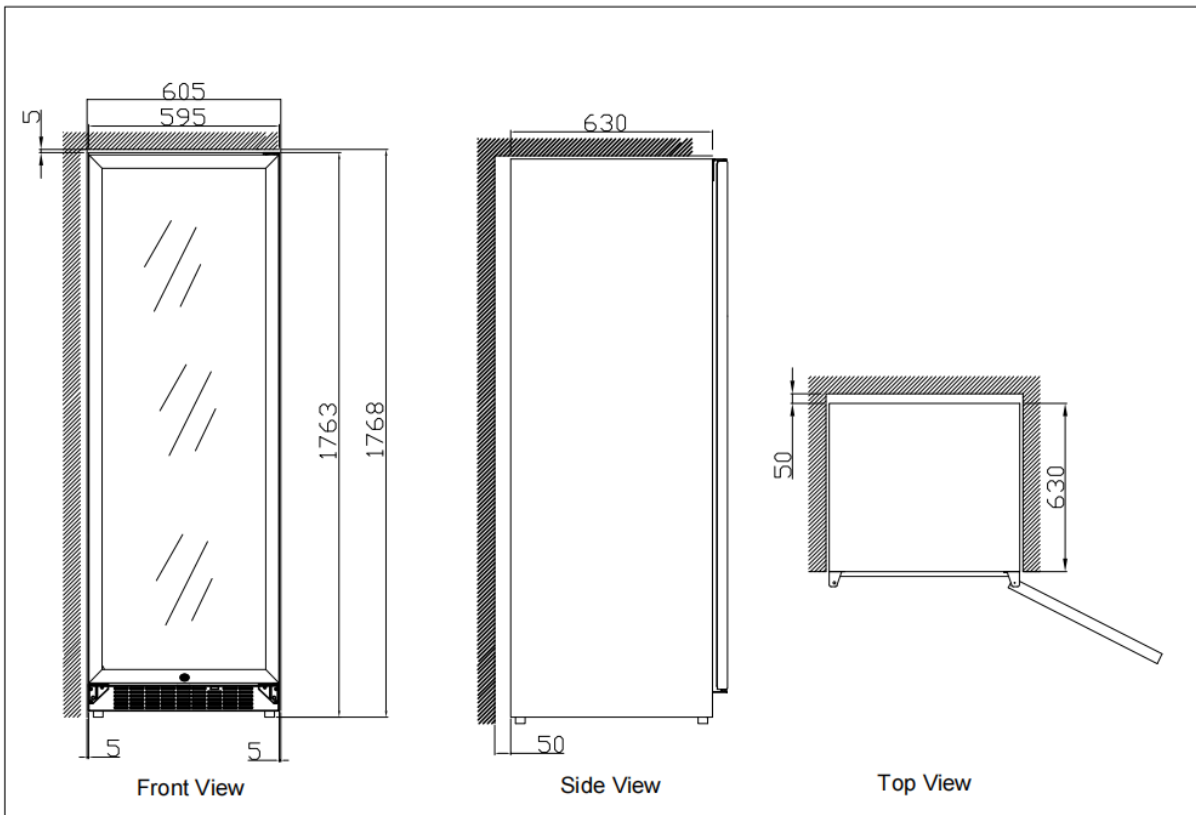


➤ Installationsspecifikation til indbygning

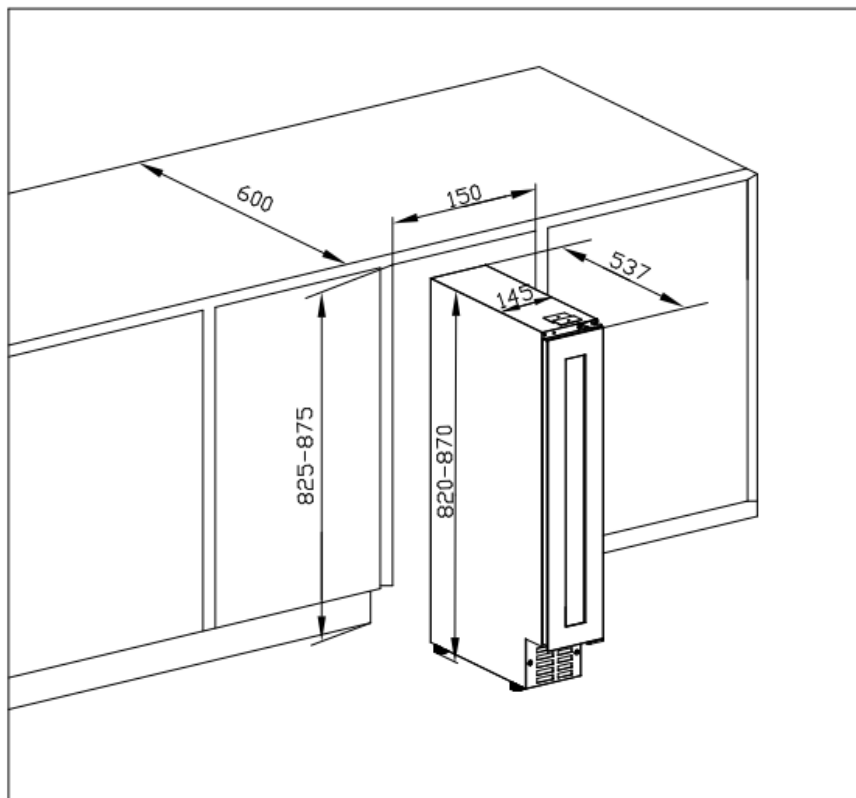
PN45S, PN45D



PN166S, PN166D



PN7S (Dette vinskab er designet til indbygning under en bordplade)



➤ **Anbefalede temperaturindstillinger**

Opbevaring af ALLE TYPER VIN	12 °C to 14 °C
Champagne NV, Sparkling	6 °C
Champagne NV, Sparkling	10 °C
Tør hvid Semillon, Sauvignon Blanc	8 °C
Tør hvid Gewurstraminer, Riesling	10 °C
Tør hvid Chardonnay	10 °C
Vintage Chardonnay	14 °C
Sød hvid Sauternes Monbazillac, Late Harvest ice wine	10 °C
Søde hvide vintage Sauternes	14 °C
Beaujolais	13 °C
Rød Pinot Noir	16 °C
Vintage Pinot Noir rød	20 °C
Rød Cabernet, Merlot, Fransk, Australsk, New Zealand, Chilensk, Argentinsk, Italiensk, Spansk, Californisk	20 °C
Rød Grenache, Syrah	16 °C

PLEJE OG VEDLIGEHOLDELSE

➤ Rengør dit vinkøleskab

- Sluk for strømmen, tag stikket ud af stikkontakten, og fjern alle genstande inklusive hylder.
- Vask de indvendige overflader med varmt vand og en mild sæbe.
- Vask hylderne med et mildt rengøringsmiddel.
- Vrid overskydende vand ud af svampen eller kluden når du rengører omkring displayet eller andre elektriske dele.
- Vask skabet udvendigt med varmt vand og mildt rengøringsmiddel. Skyld godt og tør efter med en ren og blød klud.

➤ Strømsvigt

- De fleste strømafbrydelser korrigeres inden for få timer og bør derfor ikke påvirke apparatets temperatur, hvis du minimerer antallet af gange du åbner døren. Hvis strømmen er slukket i lang tid, bør du overveje at opbevare din vin på anden vis indtil strømmen er tilbage.

➤ Ferie

- **Kort ferie:** Lad dit vinkøleskab køre under din ferie, hvis den er kortere end 3 uger.
- Hvis apparatet ikke skal bruges i flere måneder, skal du fjerne alle vinene og slukke for apparatet. Rengør det og tørre det grundigt indvendigt. For at forhindre lugt og skimmelsvamp skal du lade døren være åben.

➤ Hvis du skal flytte dit vinkøleskab

- Fjern alt indhold.
- Fjern alle løse genstande (f.eks. hylder) eller fastgør de løsegenstande til kabinettet.
- Drej de justerbare ben op, for at undgå skader.
- Tape døren til så den holdes lukket.
- Sørg for at apparatet forbliver i en sikker opretstående position under hele transporten. Beskyt også apparatets yderside med et tæppe eller lignende.

➤ Tips til energibesparelse

- Vinkøleskabet bør placeres i det køligste område i rummet. Væk fra varmeproducerende apparater og uden for direkte sollys.

ALLE APPARATER ER UDSTRYET MED LED-LYS. HVIS LED-LYSET GÅR BEDES DU KONTAKTE AFTER-SALE SERVICE FOR AT FÅ DETTE UDSKIFTET.

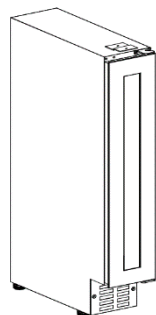
PROBLEMER MED DIT VINKØLESKAB?

Du kan selv løse mange af de almindelige problemer med vinkøleskabet ved hjælp af denne guide. Dette sparer dig for omkostningerne som der kan være ved et servicebesøg. Prøv forslagene herunder og se om det kan løse dit problem inden du ringer til servicecenteret.

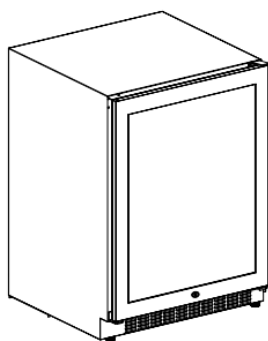
FEJLFINDINGSVEJLEDNING

PROBLEM	MULIG ÅRSAG
Vinkøleskabet virker ikke.	Ikke tilsluttet til strøm. Apparatet er slukket. Strømmen er afbrudt eller sikringen er gået.
Vinkøleskabet er ikke koldt nok.	Kontroller temperaturindstillingen. Rumtemperaturen kræver måske at du indstiller temperaturen lidt højere. Døren åbnes for ofte. Døren er ikke helt lukket. Dørpakningen slutter ikke tæt.
Tænder og slukker ofte.	Rumtemperaturen er højere end normalt. Der er blevet tilføjet en stor mængde indhold i skabet. Døren er åben for ofte. Døren er ikke helt lukket. Temperaturen er ikke indstillet korrekt på displayet. Dørpakningen slutter ikke tæt.
Lyset virker ikke.	Ikke tilsluttet til strøm. Strømmen er afbrudt eller sikringen er gået. Pæren er gået. Lysknappen er slukket.
Vibrationer.	Tjek at vinkøleskabet står i vatter.
Vinkøleskabet larmer for meget.	Hvis det er en raslende lyd, kan det komme fra kølemidlet, hvilket er helt normalt. Der kan komme en gurglende lyd efter kompressoren har kørt, grundet kølemidlet som kører rundt. Hvis siderne i vinkøleskabet trækker sig sammen eller udvider sig kan det forårsage poppende og knitrende lyde. Vinkøleren står ikke i vatter.
Døren vil ikke lukke ordentligt.	Vinkøleren står ikke i vatter. Døren er blevet vendt, men ikke korrekt installeret. Dørpakningen er snavset. Hylderne er ikke skubbet helt ind.
Kondensdannelse på døren	Der kan dannes kondens på døren på grund af høj luftfugtighed i rummet som vinkøleskabet er installeret i. Installer apparatet med tilstrækkelig ventilation i et tørt og/eller klimatiseret rum.
Water condensation may form on the glass door.	Condensation will form on the door due to high humidity in the area. Install the appliance with sufficient ventilation in a dry and/ or air-conditioned room

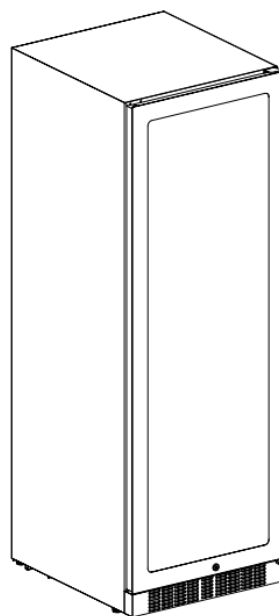
WEINKÜHLSCHRANK BEDIENUNGSANLEITUNG



PN7S



PN45S PN45D



PN166S PN166D

(Dansk s. 22, Deutsch s. 43)
www.pevino.com

**BITTE LESEN UND BEFOLGEN SIE ALLE SICHERHEITSREGELN UND
BEDIENUNGSANWEISUNGEN VOR DER INBETRIEBNAHME. ACHTUNG!**

WARNUNG!

- Um Schäden an der Türdichtung zu verhindern, muss die Tür komplett geöffnet werden, wenn die Regalböden herausgezogen werden.
- Das Gerät muss so platziert sein, dass der Stecker zugänglich ist. Den Stecker herausziehen. Den Schrank auf die gewünschte Position verschieben. Den Schrank nicht verschieben, während er mit Weinflaschen befüllt ist. Dadurch kann der Schrank verformt werden. Der Weinkühlschrank muss an einer dafür geeigneten Stelle installiert werden, damit gewährleistet wird, dass der Kompressor nicht mit der Hand berührt werden kann.
- Das Gerät muss so platziert sein, dass der Stecker zugänglich ist. Den Stecker herausziehen
- Dieses Gerät ist nicht für die Bedienung durch Personen (hierunter Kinder) konzipiert, die eine eingeschränkte körperliche, sensorische oder mentale Kapazität besitzen oder einen Mangel an Erfahrung und Wissen. Es sei denn, sie werden beaufsichtigt oder haben eine Einweisung zur Nutzung des Geräts von einer verantwortungsvollen Person erhalten.
- Kinder müssen beaufsichtigt werden um zu gewährleisten, dass sie mit dem Gerät nicht spielen.
- Falls das Kabel beschädigt ist, muss es vom Hersteller, dessen Servicetechniker oder einer ähnlich qualifizierten Person ausgetauscht werden, um Gefahren zu vermeiden.
- Dieses Gerät kann von Kindern ab 8 Jahren und Personen mit eingeschränkter körperlicher, sensorischer oder mentaler Kapazität bedient werden, wenn diese unter Aufsicht sind oder nicht mit dem Gerät spielen. Reinigung und Wartung dürfen Kinder nur unter Aufsicht vornehmen.

– **ACHTUNG:** Die Lüftungsöffnungen im Gehäuse des Apparats oder in der eingebauten Konstruktion müssen freigehalten werden, damit sie nicht blockiert werden können.

– **ACHTUNG:** Verwenden Sie keine mechanischen oder anderen Mittel, um den Abtauprozess zu beschleunigen - abgesehen von denen, die vom Hersteller empfohlen werden.

– **ACHTUNG:** Der Kühlmittelkreislauf darf nicht beschädigt werden.

– **ACHTUNG:** Keine elektrischen Geräte im Lagerfach des Apparats verwenden, es sei denn, sie sind vom Typ, den der Hersteller empfiehlt.

Diese Kühlhausstattung eignet sich nicht zum Gefrieren von Lebensmitteln.

Bewahren Sie in diesem Gerät keine explosiven Gegenstände wie aerosolhaltige Dosen mit einem brennbaren Triebmittel auf.

Dieser Apparat ist für den Haushalt und ähnliche Orte konzipiert wie z. B.

– Personal-Küchenbereiche in Geschäften, Büros und anderen Arbeitsumgebungen;

– Ferienhäuser und für Besucher in Hotels, Motels und andere Arten von Wohnformen;

– Bed & Breakfast-Pensionen;

– Catering und ähnliche Einrichtungen, die nicht zum Einzelhandel zählen.

– **ACHTUNG:** Um Gefahr wegen Instabilität am Apparat zu vermeiden, muss dieser gemäß den Anweisungen befestigt werden.

Kinder von 3-8 Jahren dürfen den Weinkühlschrank befüllen und entleeren.

Bitte befolgen Sie die folgenden Anweisungen, um Schäden am Wein zu vermeiden:

– Die Tür nicht zu lange öffnen, da dies zu einem markanten Temperaturanstieg im Weinkühlschrank führen kann.

– Oberflächen, die mit Flaschen in Kontakt kommen können, und das zugängliche Abflusssystem sollten regelmäßig gereinigt werden.

– Den Wassertank reinigen, wenn er 48 Stunden lang nicht verwendet worden ist. Lassen Sie das Wasser etwas laufen, falls es in den vergangenen 5 Tagen nicht verwendet worden ist.

– Falls der Weinkühlschrank längere Zeit leer steht, sollte er ausgeschaltet, abgetaut, gereinigt und innen abgewischt werden. Anschließend sollte die Tür des Apparats offen stehen, damit sich im Apparat kein Schimmel bildet.

VERSUCHEN SIE NICHT, EIN NEUES KABEL ANZUSCHLIESSEN ODER DAS AM APPARAT BEFINDLICHE KABEL ZU VERLÄNGERN.

WICHTIGE SICHERHEITSANWEISUNG

⚡ ACHTUNG ⚡

Befolgen Sie diese grundsätzlichen Anweisungen, um das Risiko von Feuer, elektrischen Schlägen oder Personenschäden bei der Nutzung des Apparats zu reduzieren:

- Lesen Sie vor der Nutzung des Apparats alle Anweisungen.
- **GEFAHR oder WARNUNG:** Risiko, dass Kinder festgeklemmt werden können.
- Kinder können festgeklemmt werden und ersticken. Dies kann auch dann geschehen, wenn der Apparat längere Zeit nicht genutzt wird. Der Apparat kann auch dann noch gefährlich sein, wenn er längere Zeit nicht genutzt wird.
- **Vor dem Entsorgen des alten Weinkühlschranks:** Die Tür abnehmen. Lassen Sie die Regalböden im Schrank, damit die Kinder nicht hineinklettern können.
- Lassen Sie Kinder nie das Gerät bedienen, damit spielen oder hineinkriechen.
- Die Geräteteile dürfen keinesfalls mit brennbaren Flüssigkeiten gereinigt werden. Die Dämpfe können Feuergefahr oder eine Explosion erzeugen.
- Benzin oder andere brennbare Flüssigkeiten dürfen nie in der Nähe dieses oder anderer Geräte gelagert oder verwendet werden. Die Dämpfe können Feuergefahr oder eine Explosion erzeugen. Bewahren Sie in diesem Gerät keine explosiven Gegenstände wie aerosolhaltige Dosen mit einem brennbaren Triebmittel auf.
- **ACHTUNG:** Die Lüftungsöffnungen im Gehäuse des Apparats oder in der eingebauten Konstruktion müssen freigehalten werden, damit sie nicht blockiert werden können;
- Verwenden Sie keine mechanischen oder anderen Mittel, um den Abtauprozess zu beschleunigen - abgesehen von denen, die vom Hersteller empfohlen werden.
- **ACHTUNG:** Um eine Gefahr wegen Instabilität am Apparat zu vermeiden, muss dieser gemäß den Anweisungen befestigt werden.
- **ACHTUNG:** Der Kühlmittelkreislauf darf nicht beschädigt werden;
- **ACHTUNG:** Keine elektrischen Geräte im Lagerfach des Apparats verwenden, es sei denn, sie sind vom Typ, den der Hersteller empfiehlt.
- **Falls das Kühlmittel für diese Apparate R600a ist, sollten keine leicht entzündbaren und explosiven Gegenstände im Gehäuse oder in dessen Nähe angebracht werden, um Feuer oder Explosionen zu vermeiden.**



- Die Instruktionen aufheben-

INSTALLATIONSANWEISUNGEN

➤ Vor der Nutzung des Weinkühlschranks

- Entfernen Sie die Verpackung außen und innen.
- Vor dem Anschluss des Geräts an die Stromzufuhr muss es ca. 2 Stunden lang aufrecht stehen. Dies reduziert das Risiko eines Funktionsfehlers im Kühlsystem.
- Die Innenflächen mit lauwarmem Wasser und einem weichen Lappen reinigen.
- Dieser Apparat ist für den Haushalt und ähnliche Orte konzipiert wie z. B.
 - Personal-Küchenbereiche in Geschäften, Büros und anderen Arbeitsumgebungen;
 - Ferienhäuser und für Besucher in Hotels, Motels und andere Arten von Wohnformen;
 - Bed & Breakfast-Pensionen;
 - Catering und ähnliche Einrichtungen, die nicht zum Einzelhandel zählen.
- Wenn der Apparat entsorgt werden soll, muss diese Entsorgung fachgerecht auf einem Recyclinghof o. Ä. erfolgen.

➤ Installation des Weinkühlschranks

- Dieser Weinkühlschrank ist für die freistehende Installation oder den Einbau konzipiert (komplett eingebaut) (Bezug auf Aufkleber auf der Rückseite des Geräts). Der JG7 ist nur für den Einbau bestimmt.
- **Dieser Apparat ist ausschließlich zum Aufbewahren von Wein konzipiert.**
- Der Weinkühlschrank muss auf einem Untergrund oder einer Oberfläche angebracht werden, die stark genug ist, wenn das Gerät komplett beladen ist. Achten Sie darauf, dass der Weinkühlschrank komplett waagrecht steht, indem Sie die Beine unter dem Boden justieren.
- Für diesen Apparat wird brennbares Kühlmittel verwendet. Sorgen Sie dafür, dass die Kühlrohre während des Transports nie beschädigt werden. Platzieren Sie den Weinkühlschrank nicht unter direkten Einfluss von Sonneneinstrahlung und Wärmequellen (Herd, Heizfläche, Heizung usw.). Direkte Sonneneinstrahlung kann die Acrylbeschichtung beschädigen und die Wärmequellen können den Stromverbrauch erhöhen. Extrem niedrige Umgebungstemperaturen können auch dazu führen, dass das Gerät nicht korrekt funktioniert.
- Das Gerät darf nicht in eine feuchte Umgebung gestellt werden.
- Den Weinkühlschrank an eine Steckdose mit Erdung anschließen. Das dritte Bein am Stecker (Erdung) darf nicht entfernt werden. Alle Fragen bezüglich des Stroms müssen an einen autorisierten Elektroinstallateur gerichtet werden.
- Folgende Ersatzteile sind 7 Jahre nach der Vermarktung des letzten Schrankes erhältlich: Türgriffe, Türscharniere, Einlegeböden und Körbe. Die Türdichtung wird 10 Jahre danach erhältlich sein.
- Thermostate, Temperatursensoren, Leiterplatten und Leuchtquellen sind mindestens sieben Jahre nach der Vermarktung des letzten Modells erhältlich.

➤ Bitte beachten Sie Folgendes

- Den Wein in geschlossenen Flaschen aufbewahren.
- Den Schrank nicht übermäßig belasten.
- Die Tür nur bei Bedarf öffnen.
- Die Regalböden nicht mit Alufolie oder anderem Regalmaterial bekleiden, was die Luftzirkulation beeinträchtigen kann;
- Falls der Weinkühlschrank längere Zeit nicht genutzt wird, sollte nach einer gründlichen Reinigung die Tür einen Spalt breit aufstehen, damit die Luft im Schrank zirkulieren kann. So wird die Bildung von Feuchtigkeit, Schimmel und unangenehmen Gerüchen verhindert.

➤ Grenzen der Raumtemperatur

Dieser Apparat ist für das Funktionieren bei Umgebungstemperaturen konzipiert, die folgenden Temperaturklassen entsprechen.

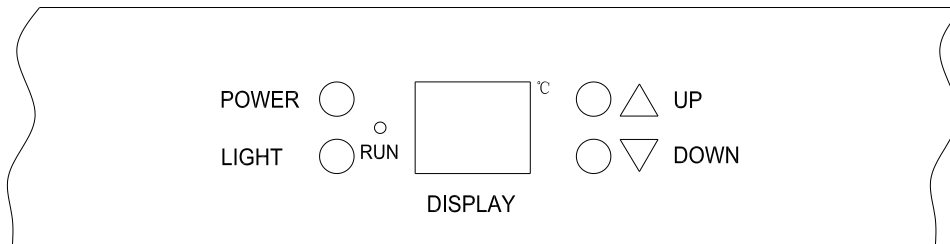
Klasse	Symbol	Intervalle der Raumtemperatur (°C)
Subnormal	SN	+ 10 bis + 32
Normal	N	+ 16 bis + 32
Subtropisch	ST	+ 16 bis + 38
Tropisch	T	+ 16 bis + 43

BEDIENUNG DES WEINKÜHLSCHRANKS

Den Weinkühlschrank wird bei einer Raumtemperatur von unter 35°C platziert. Falls die Raumtemperatur darüber liegt, kann die Leistungsfähigkeit des Apparats beeinträchtigt werden. Dadurch kann die Innentemperatur ansteigen und die eingestellte Temperatur kann nicht erreicht werden.

➤ **Bedienung des Weinkühlschranks**

FÜR PN45S/PN166S

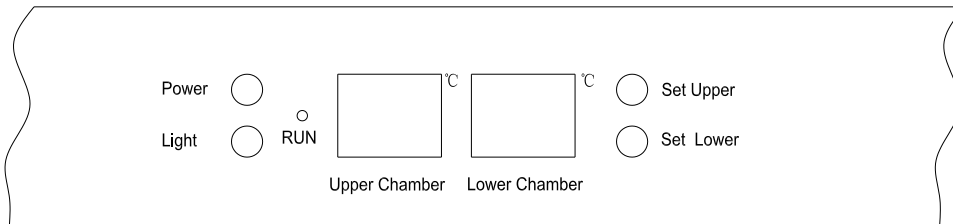


Die Temperatur kann zwischen 5°C und 18°C eingestellt werden.

- **LICHT**
Reguliert, ob das Innenraumlicht ein- oder ausgeschaltet ist.
- **RUN**
Wenn diese Taste aktiviert ist, ist das Kühlsystem in Betrieb.
- **Power**
Wird zum Ein- und Ausschalten des Apparats verwendet. (Die Taste 3 Sekunden lang gedrückt halten, um den Weinkühlschrank ein- oder auszuschalten.)
- **„UP“-SCHALTER**
Durch einen Druck auf „UP“ steigt die Temperatur um 1 °C im Weinkühlschrank.
- **„DOWN“-SCHALTER**
Durch einen Druck auf „DOWN“ fällt die Temperatur um 1 °C im Weinkühlschrank.
- **„DISPLAY“**
Hier wird die eingestellte Temperatur im Weinkühlschrank angezeigt.

Achtung: Die „UP“- oder „DOWN“-Taste 3 Sekunden lang gedrückt halten. Danach wird die aktuelle Temperatur im Schrank auf dem Display angezeigt. Durch einen Klick auf eine beliebige Taste wird die eingestellte Temperatur wiederhergestellt.

FÜR PN45D/PN166D



Obere Zone: Die Temperatur kann zwischen 5°C und 18°C eingestellt werden.

Untere Zone: Die Temperatur kann zwischen 5°C und 18°C eingestellt werden.

- **Licht**
Reguliert, ob das Innenraumlicht ein- oder ausgeschaltet ist.
- **RUN**
Wenn diese Taste aktiviert ist, ist das Kühlsystem in Betrieb.
- **Power**
Wird zum Ein- und Ausschalten des Apparats verwendet. (Die Taste 3 Sekunden lang gedrückt halten, um den Weinkühlschrank ein- oder auszuschalten.)
- **„Set Upper“-Taste**
Wird zum Einstellen der Temperatur in der oberen Zone angezeigt.
- **„Set Lower“-Taste**
Wird zum Einstellen der Temperatur in der unteren Zone verwendet.
- **„Upper Chamber“**
Hier wird die in der oberen Zone eingestellte Temperatur angezeigt.
- **„Lower Chamber“**
Hier wird die in der unteren Zone eingestellte Temperatur angezeigt.

Achtung: Die „Set Upper“-Taste oder „Set Lower“-Taste 3 Sekunden lang gedrückt halten. Danach wird die aktuelle Temperatur für die jeweilige Zone auf dem Display angezeigt. Durch einen Klick auf eine beliebige Taste wird die eingestellte Temperatur wiederhergestellt.

- Die Tasten „Set Upper“ (Obere Einstellung) und „Set Lower“ (Untere Einstellung) 3 Sekunden lang drücken, um zwischen Celsius und Fahrenheit zu wechseln.

➤ **Innenraumbeleuchtung (FÜR PN45S/PN45D/PN166S/PN166D)**

Dieser Weinkühlschrank ist oben und an den Seiten beleuchtet. Diese Beleuchtung kann in drei unterschiedlichen Farben eingestellt werden: Blau, Weiß und Gelb. Das Licht kann in zwei unterschiedlichen Modi eingeschaltet werden: Automatische Beleuchtung und Display-Beleuchtung.

Automatische Beleuchtung:

Das Licht wird bei jedem Öffnen der Tür automatisch eingeschaltet und geht langsam wieder aus, wenn die Tür geschlossen wird.

Bei jedem Druck auf die „Light“-Taste ändert das Licht die Farbe.

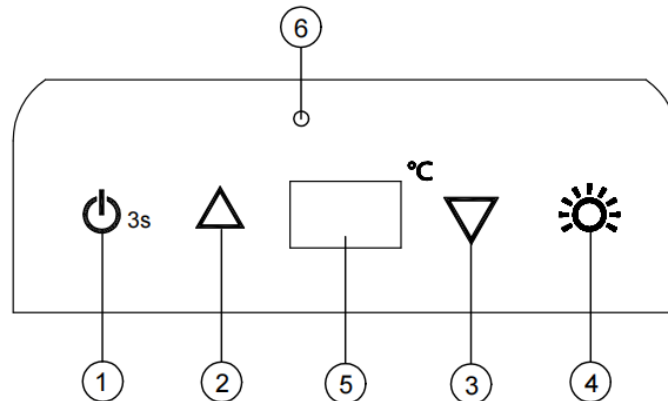
Display-Beleuchtung

Die „Light“-Taste 3 Sekunden lang gedrückt halten, um in den Display-Modus zu wechseln.

Das Licht bleibt auch nach dem Schließen der Tür eingeschaltet. Bei jedem Druck auf die „Light“-Taste ändert das Licht die Farbe. Durch einen erneuten, 3 Sekunden langen Druck auf die „Light“-Taste wird die Beleuchtung wieder auf die automatische Beleuchtung umgestellt.

Die Helligkeit hat 3 Niveaus. Gleichzeitig die „Light“-Taste und die „UP/Set Upper“ 2 Sekunden lang gedrückt halten. So wird die Helligkeit nach oben reguliert.

FÜR PN7S



Die Temperatur kann zwischen 5°C und 18°C eingestellt werden.

- ① **„Power“**: Hier wird das Gerät ein- und ausgeschaltet. (Diese Taste ca. 3 Sek. gedrückt halten.)
- ② **„UP“**: Die „UP“-Taste einmal betätigen, damit die Temperatur um 1 °C ansteigt.
- ③ **„DOWN“**: Die „DOWN“-Taste einmal betätigen, damit die Temperatur um 1 °C fällt.
- ④ **„LIGHT“**: Hier wird das Innenlicht ein- und ausgeschaltet.
So kann der Energieverbrauch reduziert werden. Dieser Schrank schaltet das Innenlicht automatisch nach 10 Minuten ab. Falls das Innenlicht konstant leuchten soll, diese Taste 5 Sekunden lang gedrückt halten, bis auf dem Display „LP“ angezeigt wird. Um zur Normaleinstellung zurückzukehren, diese Taste 5 Sekunden lang gedrückt halten, bis auf dem Display „LF“ angezeigt wird.
- ⑤ **„DISPLAY“**: Zeigt die eingestellte Innentemperatur an.
- ⑥ **„RUN“**: Wenn dies auf „ON“ eingestellt ist, ist das Kühlsystem in Betrieb.

Achtung: Die „UP“- oder „DOWN“-Taste 3 Sekunden lang gedrückt halten. Danach wird die aktuelle Temperatur im Schrank auf dem Display angezeigt. Durch einen Klick auf eine beliebige Taste wird die eingestellte Temperatur wiederhergestellt.

➤ Einstellung der Temperatur

Durch einen einmaligen Druck auf die Taste steigt oder fällt die Temperatur um 1 °C. Wenn der Minimumwert überschritten wird, springt er automatisch zur höchsten justierbaren Temperatur.

ACHTUNG:

- Falls die Stromzufuhr zum Apparat unterbrochen worden ist, der Strom ausfällt oder abgeschaltet wird, müssen Sie vor einem erneuten Hochfahren immer 3-5 Minuten lang warten. Falls Sie vorher versuchen, den Weinkühlschrank zu starten, wird er sich nicht einschalten lassen.
- Wenn der Weinkühlschrank zum ersten Mal in Betrieb genommen oder nach einem Länge Zeitraum neu gestartet wird, können in den ersten Betriebsstunden einige Grade Differenz angezeigt werden. Das ist normal und liegt an der Aktivierungszeit ab

dem Einschalten des Schrankes. Dies dauert in der Regel ein paar Stunden.

➤ **Memory-Funktion für die Temperatur**

Wenn der Strom plötzlich unterbrochen ist, wird die eingestellte Temperatur automatisch vom Gerät gespeichert. Wenn die Stromzufuhr wieder vorhanden ist, geht das Gerät automatisch zur selben Temperatur zurück.

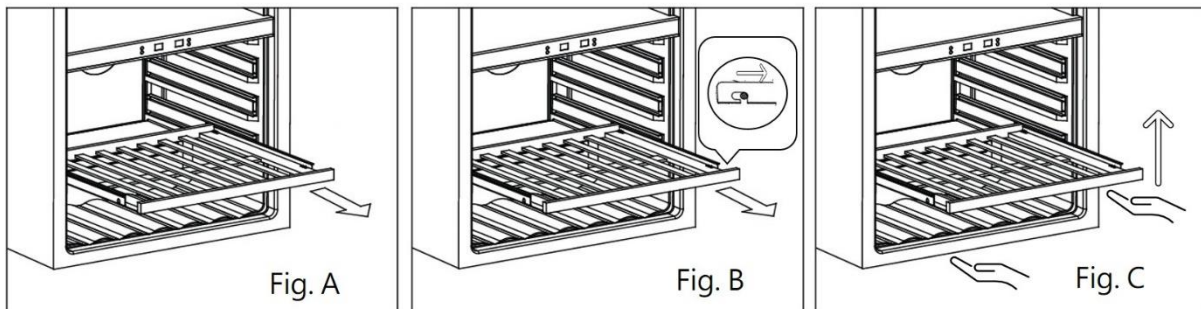
➤ **Temperaturalarm-Funktion**

Falls die Innentemperatur mehr als 23 °C (73 °F) beträgt, wird auf dem Display „HI“ angezeigt. Außerdem ertönt nach einer Stunde konstant der Alarm. Dies zeigt an, dass die Innentemperatur zu hoch ist und dass die Ursache überprüft werden muss. Falls die Innentemperatur weniger als 0 °C (32 °F) beträgt, wird auf dem Display „LO“ angezeigt. Außerdem ertönt nach einer Viertelstunde konstant der Alarm.

➤ **Die Regalböden entfernen**

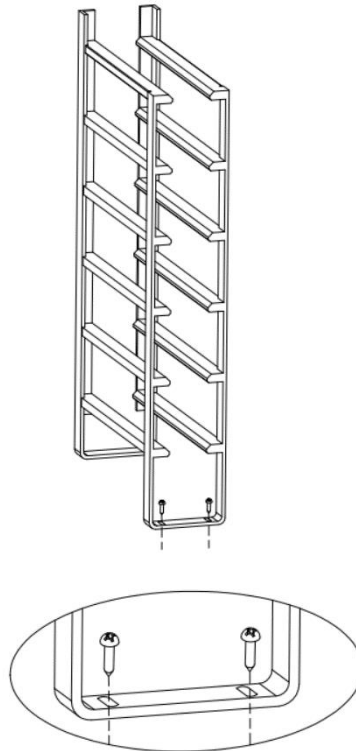
FÜR PN45S/PN45D/PN166S/PN166D

- Um Schäden an der Türdichtung zu verhindern, muss die Tür komplett geöffnet sein, wenn die Regalböden hinausgezogen werden.
- Die Regalböden entfernen:
 1. Den zu entfernenden Regalboden herausziehen (Abb. A).
 2. Den Regalboden zu sich heranziehen, bis sich die Halterung löst (Abb. B).
 3. Den Regalboden mit beiden Händen festhalten und senkrecht nach oben schieben (Abb. C).



FÜR PN7S

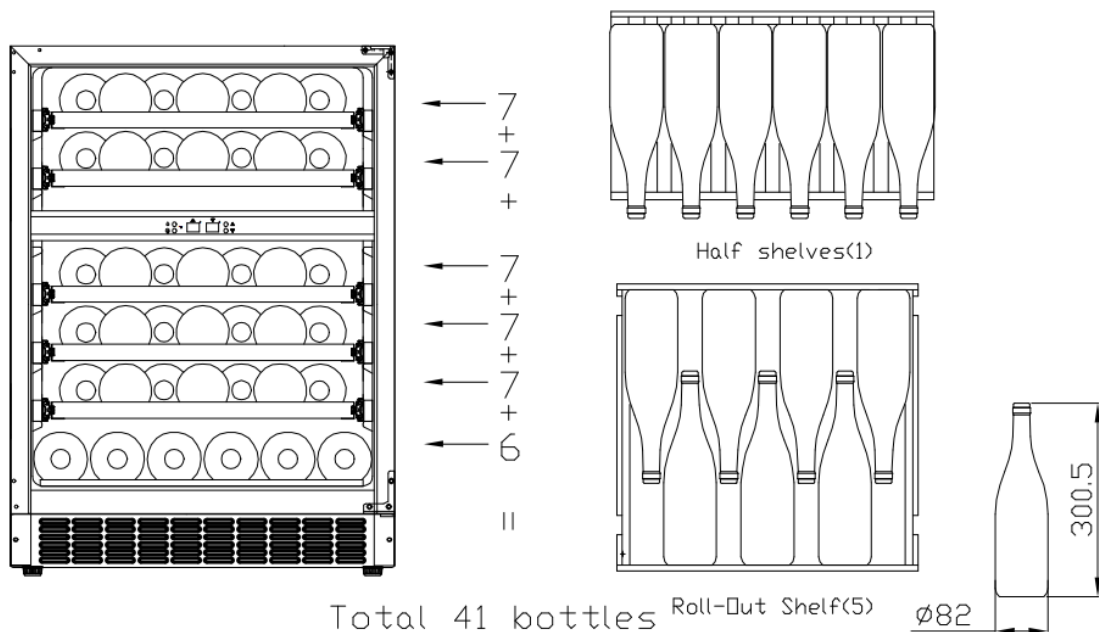
Die zwei Schrauben entfernen, damit der integrierte Holzregalboden herausgezogen werden kann.



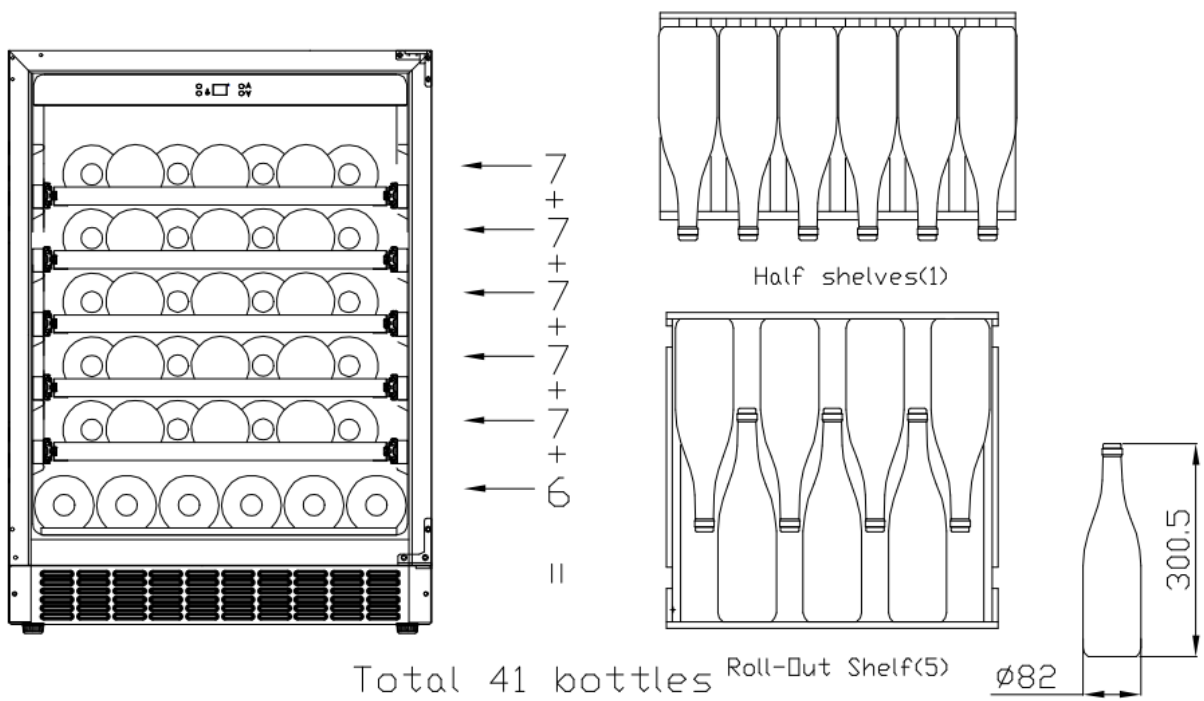
➤ Lagerung

Die maximale Flaschenanzahl, die der Schrank fassen kann, ist nur eine Richtschnur. Diese Angaben sind nicht bindend, sondern eine ungefähre Anzahl an Flaschen, die im Schrank Platz haben.

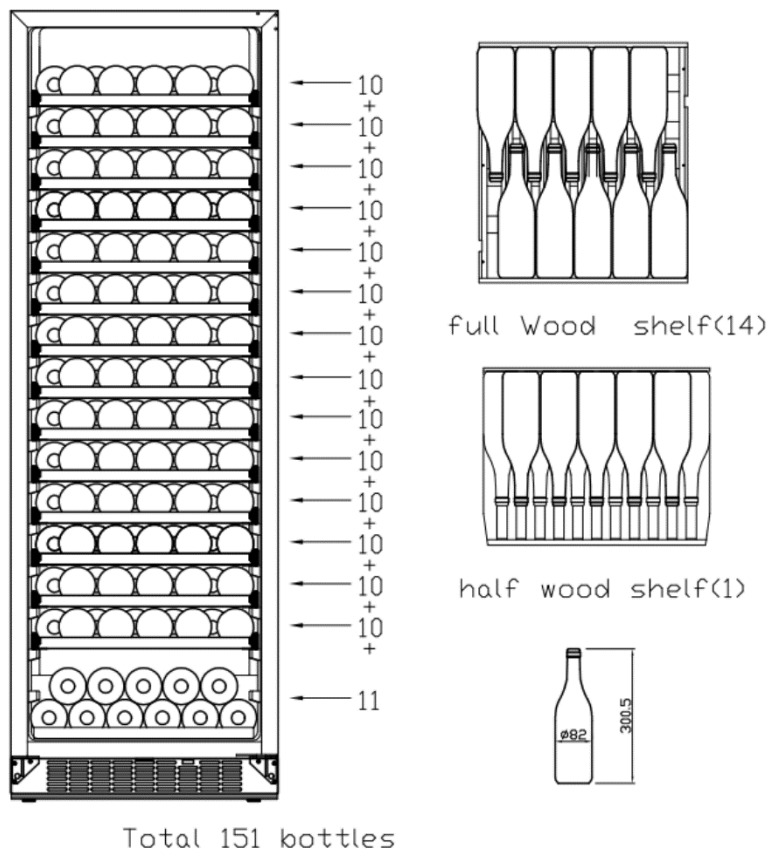
Lagerung im PN45S



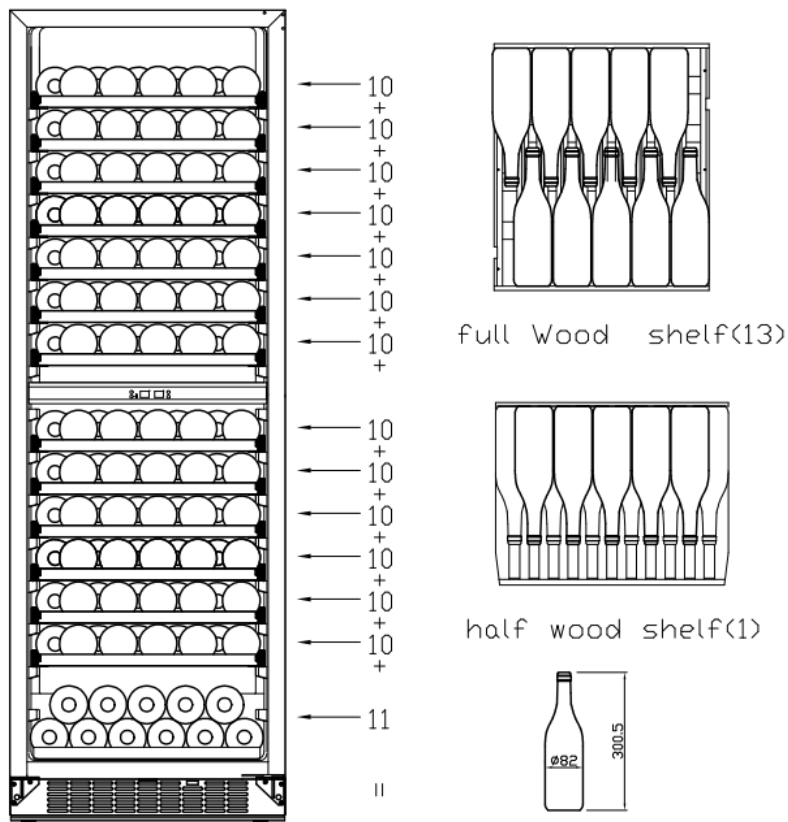
Lagerung im PN45D



Lagerung im PN166S

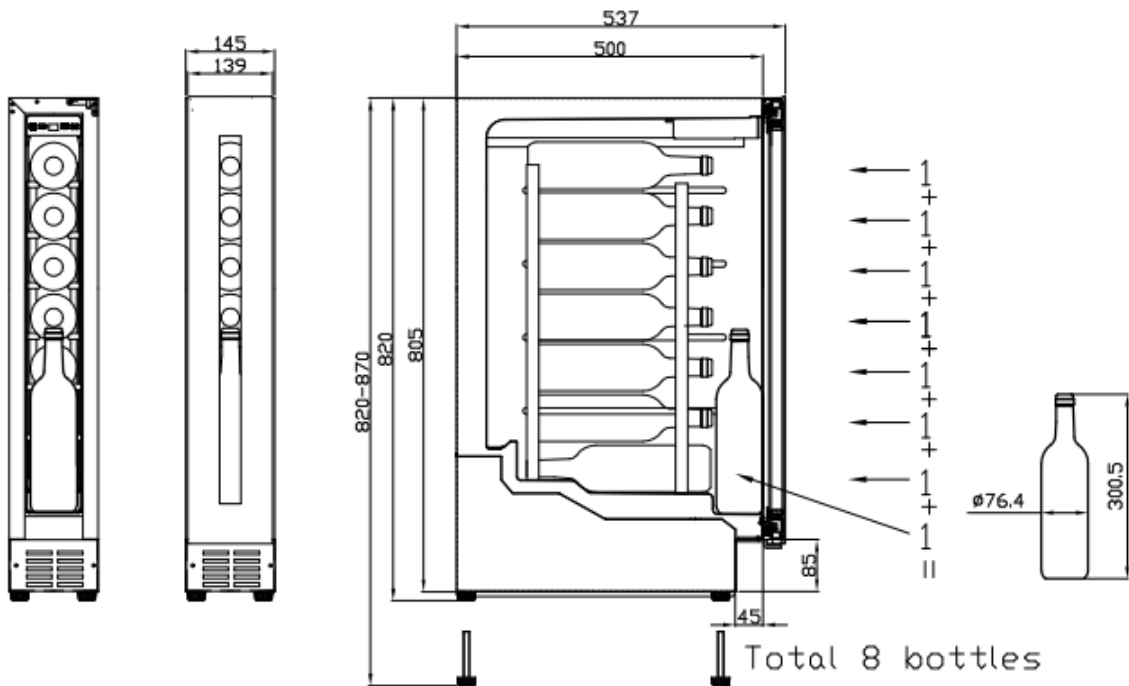


Lagerung im PN166D



Total 141 bottles

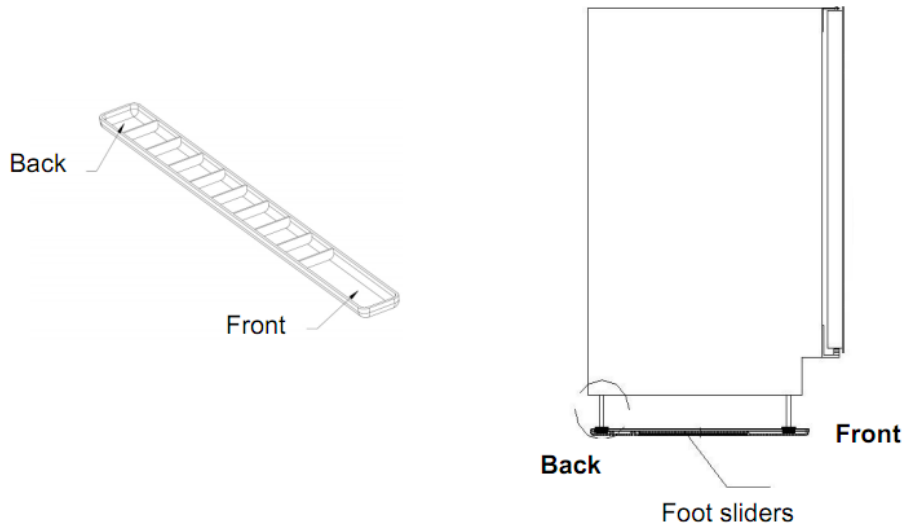
Lagerung im PN7S



➤ **Schienen für die Beine des Weinkühlschranks (für PN45S, PN45D, PN7S)**

Zwei Schienen für die Beine des Weinkühlschranks sind im Lieferumfang des Apparats enthalten, damit er einfach verschoben werden kann.

Die Schienen müssen parallel unter den Beinen gemäß der Platzierung von der Front zur Rückseite hin platziert werden.



➤ **INSTALLATION DES OBEREN BEFESTIGUNGSBÜGELS (für PN7S)**

Nach der Installation des Weinschranks die Tür öffnen, den Befestigungsbügel (a) einstellen und diesen mit drei Schrauben (c) mittels eines Schraubenziehers (d) in der Arbeitsoberfläche fixieren (b).

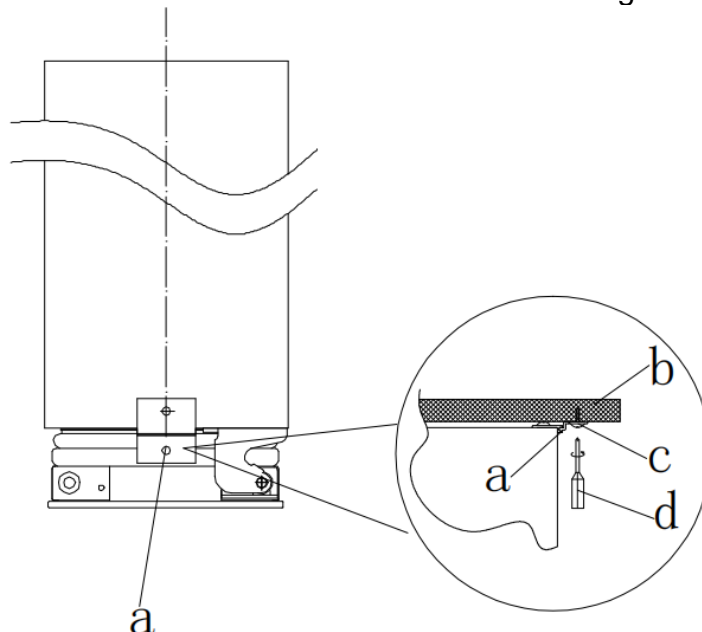
a: Oberer Befestigungsbügel

b: Arbeitsoberfläche

c: Schraube

d: Schraubenzieher

Dieser Bügel sichert das Produkt und verhindert bei der Nutzung ein Verschieben

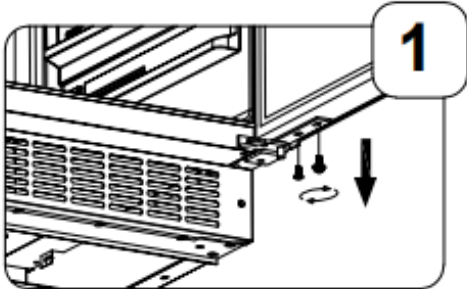


Wenden der Tür

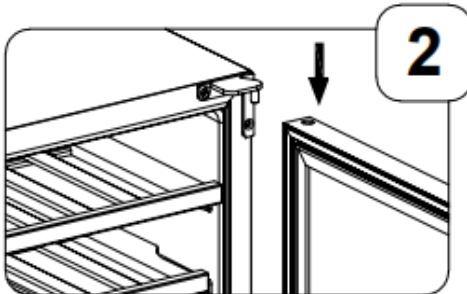
Anleitung zum Wenden der Tür vom Anschlag rechts zum Anschlag links

Für PN45S, PN45D

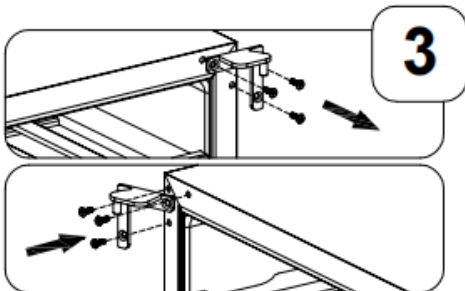
1. Die Tür öffnen und die Schrauben mithilfe eines Schraubenziehers rechts unten entfernen.



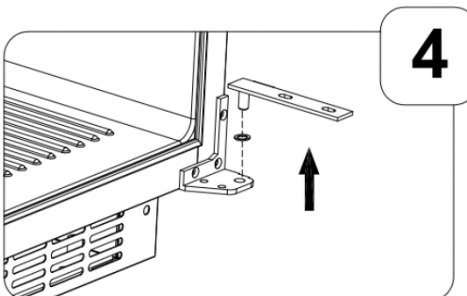
2. Die Tür vorsichtig mit der Unterseite auf eine gepolsterte Oberfläche stellen, um Schäden zu vermeiden.



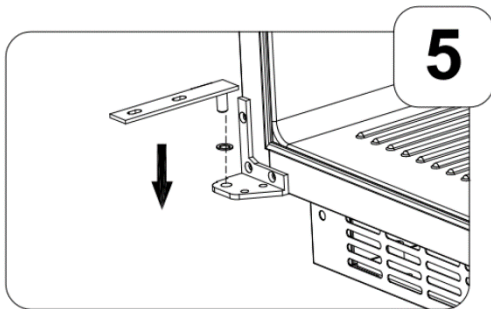
3. Die Schrauben und das Scharnier oben rechts an der Ecke entfernen. Die Kunststoffabdeckung vom Scharnier oben links entfernen. Das mitgelieferte Scharnier oben links befestigen. Das Scharnier mithilfe der Schrauben am Gehäuse befestigen. Die Kunststoffabdeckung rechts befestigen.



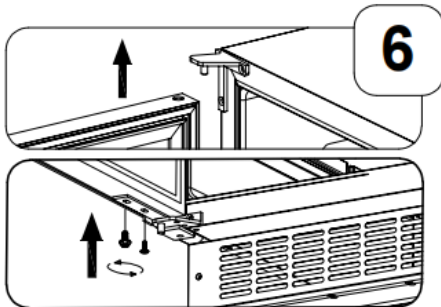
4. Entfernen Sie das untere Scharnier und die Unterlegscheibe von der Halterung unten rechts



5. Setzen Sie das linke Scharnier und die enthaltene Unterlegscheibe in die Halterung unten links ein.

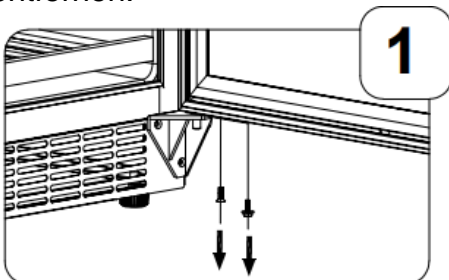


6. Vorsichtig die Tür in das Eckscharnier oben links einsetzen und anschließend die Tür am unteren Scharnier platzieren. Die Tür mithilfe der unteren Schrauben befestigen.

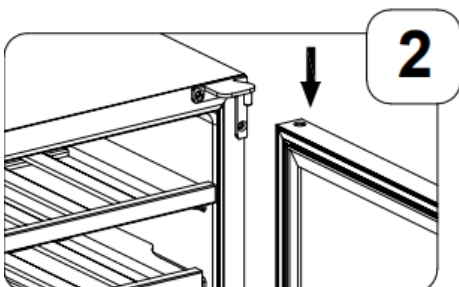


Für PN166S, PN166D

1. Die Tür öffnen und die Schrauben mithilfe eines Schraubenziehers rechts unten entfernen.

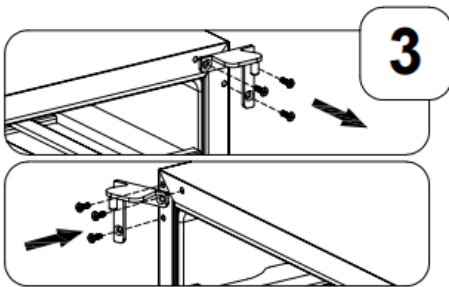


2. Die Tür vorsichtig mit der Unterseite auf eine gepolsterte Oberfläche stellen, um Schäden zu vermeiden.

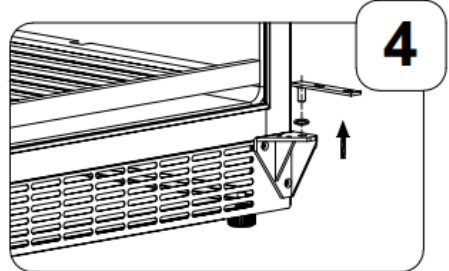


3. Die Schrauben und das Scharnier oben rechts an der Ecke entfernen. Die Kunststoffabdeckung vom Scharnier oben links entfernen.

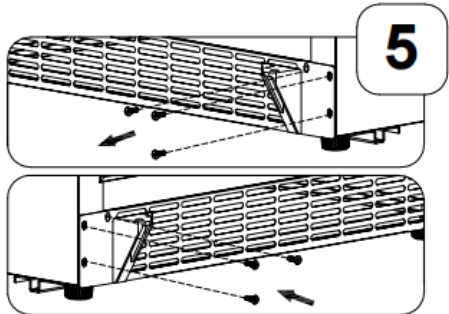
Das mitgelieferte Scharnier oben links befestigen. Das Scharnier mithilfe der Schrauben am Gehäuse befestigen. Die Kunststoffabdeckung rechts befestigen.



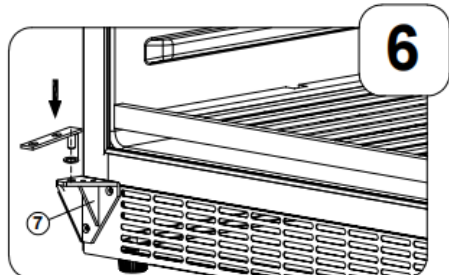
4. Die Scheibe und den Stützblock von der Halterung unten rechts entfernen.



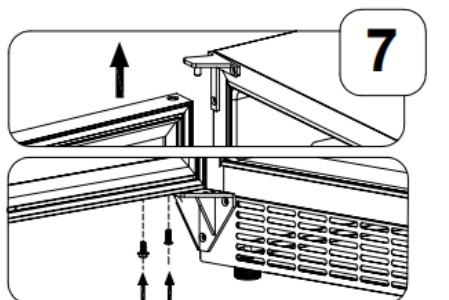
5. Die Halterung entfernen und die mitgelieferte Halterung rechts einsetzen.



6. Die Scheibe und den Stützblock von der Halterung rechts auf der mitgelieferten Halterung für unten links befestigen.

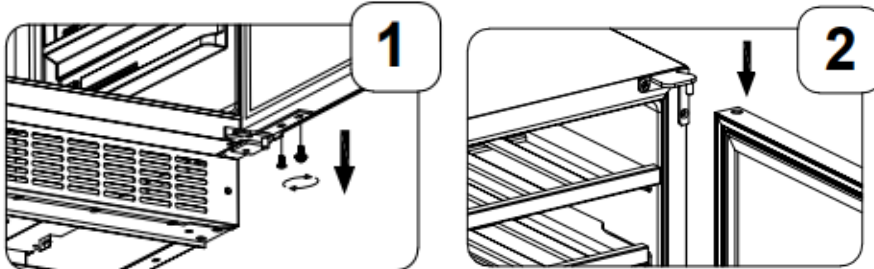


7. Vorsichtig die Tür in das Eckscharnier oben links einsetzen und anschließend die Tür mithilfe der unteren Schrauben befestigen.

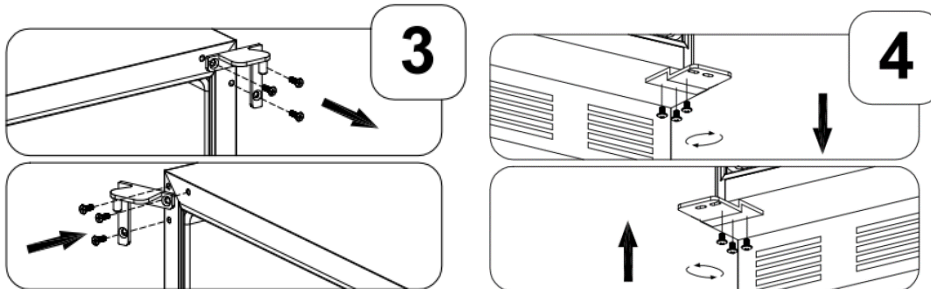


Für PN7S

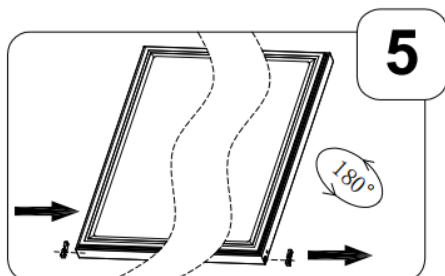
1. Die Tür öffnen und die Schrauben mithilfe eines Schraubenziehers rechts unten entfernen
2. Die Tür vorsichtig mit der Unterseite auf eine gepolsterte Oberfläche stellen, um Schäden zu vermeiden.



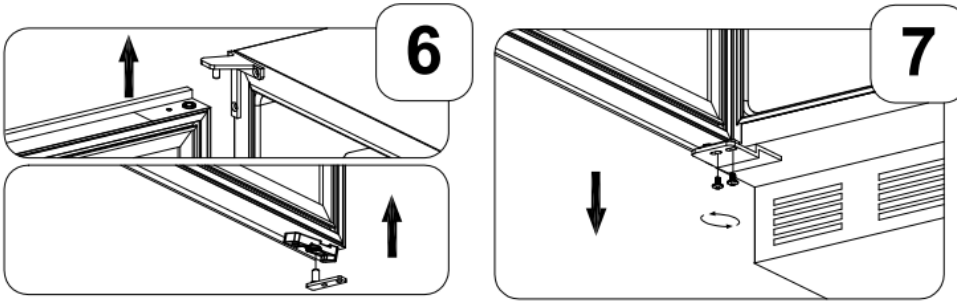
3. Die Schrauben und das Scharnier oben rechts an der Ecke entfernen. Die Kunststoffabdeckung vom Scharnier oben links entfernen. Das mitgelieferte Scharnier oben links befestigen. Das Scharnier mithilfe der Schrauben am Gehäuse befestigen. Die Kunststoffabdeckung rechts befestigen.
4. Die Schrauben und das Scharnier unten rechts entfernen. Das neue Scharnier unten links aus dem Zubehörpaket anbringen.



5. Die Tür um 180 Grad drehen, den Türstopper entfernen und an der entgegengesetzten Seite des Türrahmens anbringen.

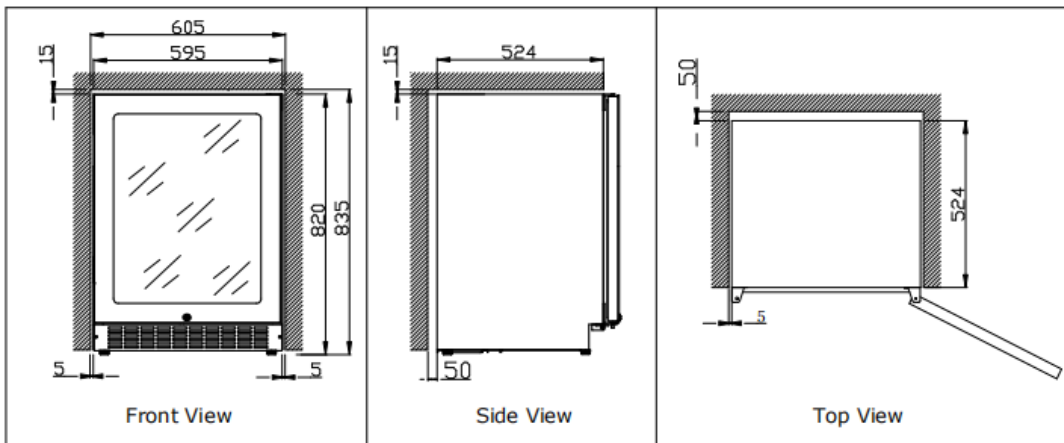


6. Die Tür vorsichtig am Eckscharnier rechts oben einsetzen und anschließend die Tür am unteren Scharnier einschieben und mithilfe der unteren Schrauben sichern.

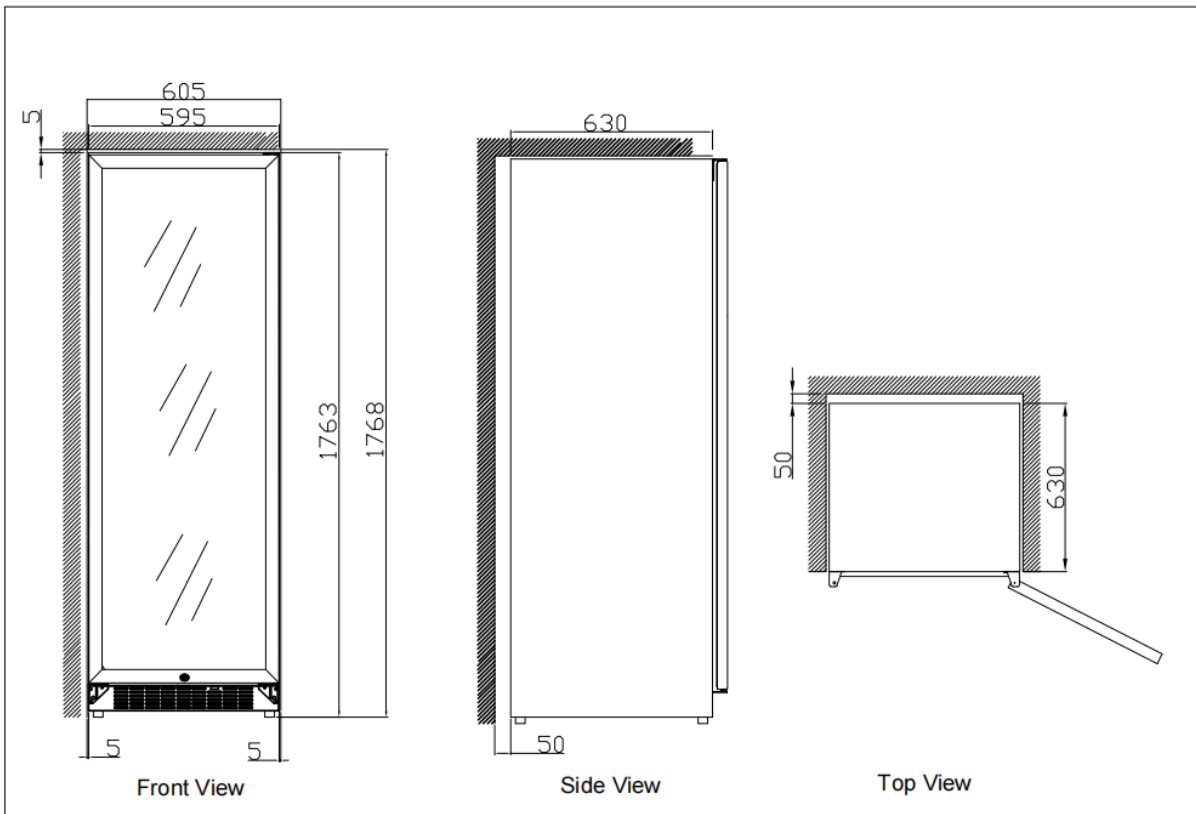


➤ **Installations-Spezifikation für den Einbau**

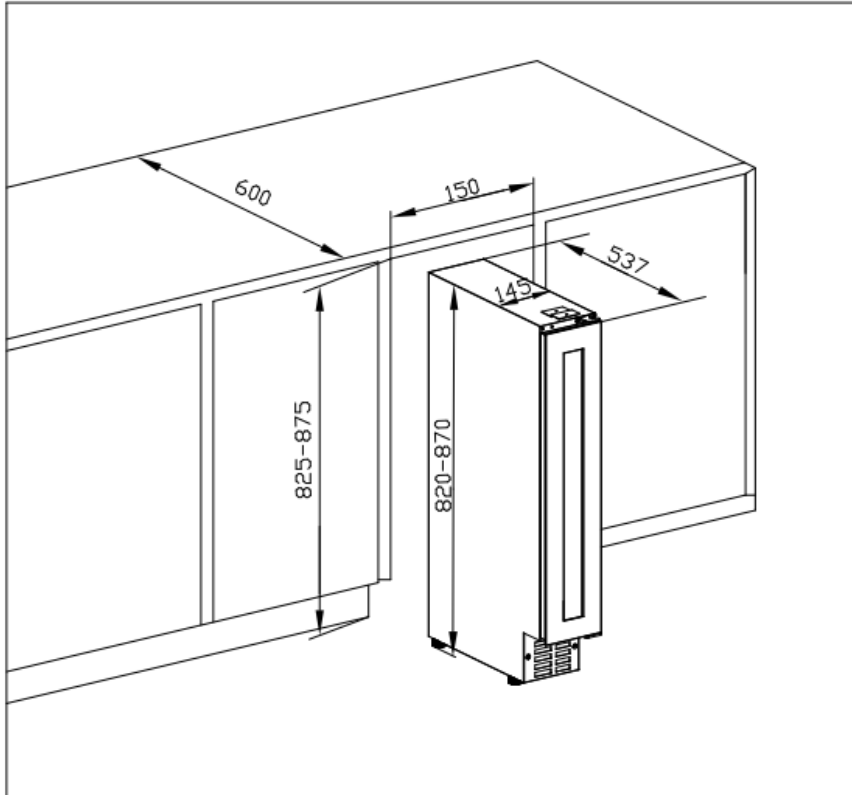
PN45S, PN45D



PN166S, PN166D



PN7S (Dieser Weinschrank ist für den Unterbau konzipiert.)



➤ **Empfohlene Temperatureinstellungen**

Lagerung von ALLEN ARTEN VON WEIN	12 °C bis 14 °C
Champagner NV, schäumend	6 °C bis 14 °C
Champagner NV, schäumend	10 °C
Trockener weißer Semillon, Sauvignon Blanc	8 °C
Trockener weißer Gewürztraminer, Riesling	10 °C
Trockener weißer Chardonnay	10 °C
Vintage Chardonnay	14 °C
Lieblicher weißer Sauternes Monbazillac, Eiswein späte Ernte	10 °C
Liebliche weiße Vintage-Sauternes	14 °C
Beaujolais	13 °C
Roter Pinot Noir	16 °C
Vintage Pinot Noir, rot	20 °C
Roter Cabernet, Merlot, französisch, australisch, neuseeländisch, chilenisch, argentinisch, italienisch, spanisch, kalifornisch	20 °C
Roter Grenache, Syrah	16 °C

PFLEGE UND WARTUNG

➤ REINIGUNG DES WEINKÜHLSCHRANKS

- Schalten Sie das Gerät ab, ziehen Sie den Stecker aus der Steckdose und entfernen Sie alle Gegenstände - einschließlich der Regalböden.
- Reinigen Sie die Oberflächen innen mit warmem Wasser und einem milden Spülmittel.
- Die Regalböden mit einer milden Reinigungsmittel abwischen.
- Das überschüssige Wasser aus dem Schwamm oder Tuch wringen, wenn das Display oder andere elektrische Teile gereinigt werden.
- Den Schrank außen mit warmem Wasser und mildem Reinigungsmittel reinigen. Gründlich abwischen und mit einem sauberen, weichen Tuch nachtrocknen.

➤ STROMAUSFALL

- Die meisten Stromausfälle werden nach wenigen Stunden korrigiert und sollten deshalb nicht die Temperatur des Apparats beeinträchtigen, wenn die Anzahl der Türöffnungen minimiert wird. Falls der Strom lange ausgeschaltet ist, sollten Sie Ihren Wein anderweitig lagern, bis die Stromzufuhr wieder vorhanden ist.

➤ URLAUB

- **Kurzer Urlaub:** Lassen Sie Ihren Weinkühlschrank während Ihres Urlaubs laufen, wenn er weniger als 3 Wochen dauert.
- Falls der Apparat mehrere Monate lang nicht genutzt wird, müssen alle Weine entfernt werden und das Gerät muss ausgeschaltet werden. Den Innenraum gründlich reinigen und trocknen. Um unangenehme Gerüche und Schimmelbildung zu verhindern, muss die Tür geöffnet sein.

➤ VERSCHIEBEN DES WEINKÜHLSCHRANKS

- Sämtlichen Inhalt entfernen.
- Alle losen Gegenstände (z. B. Regalböden) entfernen oder die losen Gegenstände am Gehäuse befestigen.
- Die verstellbaren Beine nach oben drehen, um Schäden zu vermeiden.
- Die Tür mit Klebeband verschließen, damit sie geschlossen bleibt.
- Sorgen Sie dafür, dass der Apparat während des gesamten Transports sicher aufrecht steht. Schützen Sie auch die Außenseite mit einer Decke oder ähnlichem.

➤ TIPPS ZUM ENERGIESPAREN

- Der Weinkühlschrank sollte im kühlestem Bereich des Raumes platziert werden. Er sollte von wärmeproduzierenden Apparaten entfernt stehen und nicht direkter Sonneneinstrahlung ausgesetzt sein.

ALLE APPARATE SIND MIT LED-LICHT VERSEHEN. FALLS DAS LED-LICHT AUSFÄLLT, BITTE DEN AFTER-SALES-SERVICE ZWECKS AUSTAUSCH KONTAKTIEREN.

PROBLEME MIT DEM WEINKÜHLSCHRANK?

Sie können selbst viele der gewöhnlichen Probleme mit dem Weinkühlschrank mithilfe dieser Anleitung lösen. So sparen Sie Kosten, die mit einem Wartungsbesuch verbunden sein können. Probieren Sie die unten stehenden Vorschläge aus, mit denen Ihr Problem eventuell behoben werden kann, bevor Sie das Servicezentrum anrufen

FEHLERFINDUNG

PROBLEM	MÖGLICHE URSACHE
Der Weinkühlschrank funktioniert nicht	Die Stromzufuhr ist nicht angeschlossen. Der Apparat ist ausgeschaltet. Die Stromzufuhr ist unterbrochen oder eine Sicherung ist defekt.
Der Weinkühlschrank ist nicht ausreichend kalt.	Kontrollieren Sie die Temperatureinstellung. Die Raumtemperatur setzt eventuell voraus, dass Sie die Temperatur etwa höher einstellen. Die Tür wird zu häufig geöffnet Die Tür ist nicht ganz geschlossen. Die Türdichtung ist nicht komplett dicht.
Häufiges Ein- und Ausschalten.	Die Raumtemperatur ist höher als gewöhnlich. Es wurde viel Inhalt in den Schrank gefüllt. Die Tür ist zu häufig offen. Die Tür ist nicht ganz geschlossen. Der Temperatur ist auf dem Display nicht korrekt eingestellt. Die Türdichtung ist nicht komplett dicht.
Das Licht funktioniert nicht.	Die Stromzufuhr ist nicht angeschlossen. Die Stromzufuhr ist unterbrochen oder eine Sicherung ist defekt. Die Birne ist kaputt. Der Lichtschalter ist ausgeschaltet.
Vibrationen	Überprüfen Sie, ob der Weinkühlschrank waagrecht und senkrecht ausgerichtet ist.
Der Weinkühlschrank macht zu viele Geräusche.	Ein rasselndes Geräusch kann von einem Kühlmittel stammen, was völlig normal ist. Nachdem der Kompressor in Betrieb gewesen ist, kann ein gurgelndes Geräusch zu hören sein, weil sich das Kühlmittel verteilt. Falls sich die Seiten des Weinkühlschranks zusammenziehen oder sich ausweiten, kann dies knackende und raschelnde Geräusche verursachen. Der Weinkühlschrank ist nicht waagrecht und senkrecht ausgerichtet.
Die Tür schließt nicht richtig.	Der Weinkühlschrank ist nicht waagrecht und senkrecht ausgerichtet. Der Türanschlag wurde geändert, die Tür aber nicht korrekt installiert. Die Türdichtung ist verschmutzt. Die Regalböden sind nicht ganz eingeschoben.

Kondensatbildung an der Tür	An der Tür kann sich wegen der hohen Luftfeuchtigkeit im Raum, in dem der Weinkühlschrank steht, Kondensat bilden. Den Apparat mit ausreichender Lüftung in einem trockenen und/oder klimatisierten Raum installieren.
-----------------------------	--